

INTERNATIONAL STANDARD

NORME INTERNATIONALE

**Low-voltage surge protective devices –
Part 12: Surge protective devices connected to low-voltage power distribution
systems – Selection and application principles**

**Parafoudres basse tension –
Partie 12: Parafoudres connectés aux réseaux de distribution basse tension –
Principes de choix et d'application**



THIS PUBLICATION IS COPYRIGHT PROTECTED

Copyright © 2008 IEC, Geneva, Switzerland

All rights reserved. Unless otherwise specified, no part of this publication may be reproduced or utilized in any form or by any means, electronic or mechanical, including photocopying and microfilm, without permission in writing from either IEC or IEC's member National Committee in the country of the requester.

If you have any questions about IEC copyright or have an enquiry about obtaining additional rights to this publication, please contact the address below or your local IEC member National Committee for further information.

Droits de reproduction réservés. Sauf indication contraire, aucune partie de cette publication ne peut être reproduite ni utilisée sous quelque forme que ce soit et par aucun procédé, électronique ou mécanique, y compris la photocopie et les microfilms, sans l'accord écrit de la CEI ou du Comité national de la CEI du pays du demandeur.

Si vous avez des questions sur le copyright de la CEI ou si vous désirez obtenir des droits supplémentaires sur cette publication, utilisez les coordonnées ci-après ou contactez le Comité national de la CEI de votre pays de résidence.

IEC Central Office
3, rue de Varembe
CH-1211 Geneva 20
Switzerland
Email: inmail@iec.ch
Web: www.iec.ch

About the IEC

The International Electrotechnical Commission (IEC) is the leading global organization that prepares and publishes International Standards for all electrical, electronic and related technologies.

About IEC publications

The technical content of IEC publications is kept under constant review by the IEC. Please make sure that you have the latest edition, a corrigenda or an amendment might have been published.

- Catalogue of IEC publications: www.iec.ch/searchpub

The IEC on-line Catalogue enables you to search by a variety of criteria (reference number, text, technical committee,...). It also gives information on projects, withdrawn and replaced publications.

- IEC Just Published: www.iec.ch/online_news/justpub

Stay up to date on all new IEC publications. Just Published details twice a month all new publications released. Available on-line and also by email.

- Electropedia: www.electropedia.org

The world's leading online dictionary of electronic and electrical terms containing more than 20 000 terms and definitions in English and French, with equivalent terms in additional languages. Also known as the International Electrotechnical Vocabulary online.

- Customer Service Centre: www.iec.ch/webstore/custserv

If you wish to give us your feedback on this publication or need further assistance, please visit the Customer Service Centre FAQ or contact us:

Email: csc@iec.ch
Tel.: +41 22 919 02 11
Fax: +41 22 919 03 00

A propos de la CEI

La Commission Electrotechnique Internationale (CEI) est la première organisation mondiale qui élabore et publie des normes internationales pour tout ce qui a trait à l'électricité, à l'électronique et aux technologies apparentées.

A propos des publications CEI

Le contenu technique des publications de la CEI est constamment revu. Veuillez vous assurer que vous possédez l'édition la plus récente, un corrigendum ou amendement peut avoir été publié.

- Catalogue des publications de la CEI: www.iec.ch/searchpub/cur_fut-f.htm

Le Catalogue en-ligne de la CEI vous permet d'effectuer des recherches en utilisant différents critères (numéro de référence, texte, comité d'études,...). Il donne aussi des informations sur les projets et les publications retirées ou remplacées.

- Just Published CEI: www.iec.ch/online_news/justpub

Restez informé sur les nouvelles publications de la CEI. Just Published détaille deux fois par mois les nouvelles publications parues. Disponible en-ligne et aussi par email.

- Electropedia: www.electropedia.org

Le premier dictionnaire en ligne au monde de termes électroniques et électriques. Il contient plus de 20 000 termes et définitions en anglais et en français, ainsi que les termes équivalents dans les langues additionnelles. Egalement appelé Vocabulaire Electrotechnique International en ligne.

- Service Clients: www.iec.ch/webstore/custserv/custserv_entry-f.htm

Si vous désirez nous donner des commentaires sur cette publication ou si vous avez des questions, visitez le FAQ du Service clients ou contactez-nous:

Email: csc@iec.ch
Tél.: +41 22 919 02 11
Fax: +41 22 919 03 00



IEC 61643-12

Edition 2.0 2008-11

INTERNATIONAL STANDARD

NORME INTERNATIONALE

**Low-voltage surge protective devices –
Part 12: Surge protective devices connected to low-voltage power distribution
systems – Selection and application principles**

**Parafoudres basse tension –
Partie 12: Parafoudres connectés aux réseaux de distribution basse tension –
Principes de choix et d'application**

INTERNATIONAL
ELECTROTECHNICAL
COMMISSION

COMMISSION
ELECTROTECHNIQUE
INTERNATIONALE

PRICE CODE **XG**
CODE PRIX

ICS 29.240; 29.240.10

ISBN 2-8318-1014-9

CONTENTS

FOREWORD.....	8
0 Introduction	11
0.1 General.....	11
0.2 Keys to understanding the structure of this standard	11
1 Scope.....	13
2 Normative references	13
3 Terms, definitions and abbreviated terms	14
3.1 Terms and definitions	14
3.2 List of abbreviations and acronyms used in this standard	25
4 Systems and equipment to be protected	26
4.1 Low-voltage power distribution systems.....	26
4.1.1 Lightning overvoltages and currents	27
4.1.2 Switching overvoltages.....	28
4.1.3 Temporary overvoltages U_{TOV}	28
4.2 Characteristics of the equipment to be protected.....	30
5 Surge protective devices	31
5.1 Basic functions of SPDs	31
5.2 Additional requirements.....	31
5.3 Classification of SPDs	31
5.3.1 SPD: classification.....	31
5.3.2 Typical design and topologies.....	32
5.4 Characteristics of SPDs.....	33
5.4.1 Service conditions described in IEC 61643-1	33
5.4.2 List of parameters for SPD selection.....	34
5.5 Additional information on characteristics of SPDs.....	35
5.5.1 Information related to power-frequency voltages.....	35
5.5.2 Information related to surge currents	36
5.5.3 Information related to voltage protection level provided by SPDs.....	37
5.5.4 Information related to SPD failure modes	39
5.5.5 Information related to short-circuit withstand	40
5.5.6 Information related to load current I_L and to voltage drop (for two-port SPDs or one-port SPDs with separate input and output terminals)	40
5.5.7 Information related to change of characteristics of SPDs	40
6 Application of SPDs in low-voltage power distribution systems	40
6.1 Installation and its effect on the protection given by SPDs.....	40
6.1.1 Possible modes of protection and installation	41
6.1.2 Influence of the oscillation phenomena on the protective distance (called separation distance in some countries)	43
6.1.3 Influence of the connecting lead length.....	44
6.1.4 Need for additional protection	45
6.1.5 Consideration regarding location of the SPD depending on the classes of test	46
6.1.6 Protection zone concept	46
6.2 Selection of SPD	48
6.2.1 Selection of U_C , U_T , I_n , I_{imp} , I_{max} and U_{OC} of the SPD.....	49
6.2.2 Protective distance	52

6.2.3	Prospective life and failure mode	53
6.2.4	Interaction between SPDs and other devices	53
6.2.5	Choice of the voltage protection level U_p	54
6.2.6	Coordination between the chosen SPD and other SPDs	55
6.3	Characteristics of auxiliary devices	57
6.3.1	Disconnecting devices	57
6.3.2	Event counters	57
6.3.3	Status indicator	57
7	Risk analysis	57
	Annex A (informative) Typical information given with inquiries and tenders and explanation of testing procedures	59
A.1	Information given with inquiries	59
A.1.1	System data	59
A.1.2	SPD application considerations	59
A.1.3	Characteristics of SPD	59
A.1.4	Additional equipment and fittings	60
A.1.5	Any special abnormal conditions	60
A.2	Information given with tender	60
A.3	Explanation of testing procedures used in IEC 61643-1	60
A.3.1	Determination of U_{res} for SPDs tested according to class I and class II tests	60
A.3.2	Impulse waveshape for assessment of U_{res}	61
A.3.3	Influence of a back filter on determination of U_{res}	61
A.3.4	Operating duty test for SPDs	61
A.3.5	TOV failure test	62
A.3.6	Differences in the testing conditions of Type 1 (test class I), 2 (test class II) and 3 (test class III) SPDs	62
A.3.7	Short-circuit withstand capability test in conjunction with overcurrent protection (if any)	63
	Annex B (informative) Examples of relationship between U_c and the nominal voltage used in some systems and example of relationship between U_p and U_c for ZnO varistor	64
B.1	Relationship between U_c and the nominal voltage of the system	64
B.2	Relationship between U_p and U_c for a ZnO varistor	64
	Annex C (informative) Environment – Surge voltages in LV systems	66
C.1	General	66
C.2	Lightning overvoltages	66
C.2.1	Surges transferred from MV to the LV system	67
C.2.2	Overvoltages caused by direct flashes to LV distribution systems	67
C.2.3	Induced overvoltages in LV distribution systems	68
C.2.4	Overvoltages caused by flashes to a lightning protection systems or an area of close vicinity	68
C.3	Switching overvoltages	69
C.3.1	General description	70
C.3.2	Circuit-breaker and switch operations	70
C.3.3	Fuse operations (current-limiting fuses)	71
	Annex D (informative) Partial lightning current calculations	72
	Annex E (informative) TOV in the low-voltage system due to faults between high-voltage systems and earth	75

E.1 General	75
E.2 Example of a TT system – Calculation of the possible temporary overvoltages	76
E.2.1 Possible stresses on equipment in low-voltage installations due to earth faults in a high-voltage system	76
E.2.2 Characteristics of the high-voltage system	77
E.2.3 TOV in low-voltage system due to faults in the high-voltage system	77
E.2.4 Conclusions	78
E.3 Values of the temporary overvoltages according to IEC 60364-4-44	78
E.4 Values of the temporary overvoltages for the US TN C-S system.....	88
Annex F (informative) Coordination rules and principles.....	90
F.1 General	90
F.2 Analytical studies: simple case of the coordination of two ZnO varistor based SPDs	90
F.2.1 General	90
F.2.2 Conclusion	92
F.3 Analytical study: case of coordination between a gap-based SPD and a ZnO varistor based SPD.....	93
F.3.1 General	93
F.3.2 Example of the calculation of the estimated values required for a decoupling inductance between a gap and a varistor.....	94
F.3.3 Conclusion	95
F.4 Analytical study: general coordination of two SPDs	95
F.5 Let-through energy (LTE) method	96
F.5.1 General.....	96
F.5.2 Method.....	97
Annex G (informative) Examples of application	99
G.1 Domestic application	99
G.2 Industrial application	101
G.3 Presence of a lightning protection system.....	105
Annex H (informative) Examples of application of the risk analysis	107
Annex I (informative) System stresses	111
I.1 Lightning overvoltages and currents [4.1.1]	111
I.1.1 Aspects of the power distribution system that affect the need for an SPD.....	111
I.1.2 Sharing of surge current within a structure	111
I.2 Switching overvoltages [4.1.2]	112
I.3 Temporary overvoltages U_{TOV} [4.1.3]	113
Annex J (informative) Criteria for selection of SPDs.....	114
J.1 U_T temporary overvoltage characteristic [5.5.1.2].....	114
J.2 SPD failure modes [5.5.4].....	114
Annex K (informative) Application of SPDs	117
K.1 Location and protection given by SPDs [6.1].....	117
K.1.1 Possible modes of protection and installation [6.1.1]	117
K.1.2 Influence of the oscillation phenomena on the protective distance [6.1.2]	126
K.1.3 Protection zone concept [6.1.6]	127
K.2 Selection of SPDs	129
K.2.1 Selection of U_C [6.2.1].....	129
K.2.2 Coordination problems [6.2.6.2].....	130

K.2.3 Practical cases [6.2.6.3]	132
Annex L (informative) Risk analysis	133
L.1 Group A – Environmental.....	133
L.2 Group B – Equipment and facilities.....	133
L.3 Group C – Economics and service interruption	134
L.4 Group D – Safety.....	135
L.5 Group E – Cost of protection	135
Annex M (informative) Immunity vs. insulation withstand.....	136
Annex N (informative) Examples of SPD installation in power distribution boards in some countries	138
Annex O (informative) Coordination when equipment has both signalling and power terminals.....	143
Annex P (informative) Short circuit backup protection and surge withstand	150
P.1 Introduction	150
P.2 Information single shot 8/20 and 10/350 fuses withstand	150
P.3 Fuse Influencing factors (reduction) for preconditioning and operating duty test	151
P.4 Specific examples with estimated range of factors for reduction of single shot fuse withstand.....	151
Bibliography.....	153
Figure 1 – Examples of one-port SPDs	19
Figure 2 – Examples of two-port SPDs.....	20
Figure 3 – Output voltage response of one-port and two-port SPDs to a combination wave impulse.....	22
Figure 4 – Maximum values of U_{TOV} according to IEC 60634-4-44.....	30
Figure 5 – Examples of components and combinations of components	33
Figure 6 – Relationship between U_p , U_0 , U_C and U_{CS}	35
Figure 7 – Typical curve of U_{res} versus I for ZnO varistors.....	38
Figure 8 – Typical curve for a spark gap	39
Figure 9 – Flowchart for SPD application	41
Figure 10 – Connection Type 1 (CT1)	42
Figure 11 – Connection Type 2 (CT2)	42
Figure 12 – Influence of SPD connecting lead lengths	45
Figure 13 – Need for additional protection	46
Figure 14 – Flowchart for the selection of an SPD	48
Figure 15 – U_T and U_{TOV}	51
Figure 16 – Typical use of two SPDs – Electrical drawing	55
Figure D.1 – Simple calculation of the sum of partial lightning currents into the power distribution system.....	72
Figure E.1 – Temporary power-frequency overvoltage caused by an earth fault in the high-voltage system.....	76
Figure E.2 – TN systems.....	79
Figure E.3 – TT systems.....	80
Figure E.4 – IT system, example a.....	81
Figure E.5 – IT system, example b.....	82

Figure E.6 – IT system, example c1	83
Figure E.7 – IT system, example c2	84
Figure E.8 – IT system, example d	85
Figure E.9 – IT system, example e1	86
Figure E.10 – IT system, example e2	87
Figure E.11 – US TN-C-S System	88
Figure F.1 – Two ZnO varistors with the same nominal discharge current	91
Figure F.2 – Two ZnO varistors with different nominal discharge currents	92
Figure F.3 – Example of coordination of a gap-based SPD and a ZnO varistor based SPD	95
Figure F.4 – LTE – Coordination method with standard pulse parameters	96
Figure G.1 – Domestic installation	100
Figure G.2 – Industrial installation	103
Figure G.3 – Circuitry of industrial installation	104
Figure G.4 – example for a lightning protection system	106
Figure I.1 – Example of diversion of lightning current into the external services (TT system)	112
Figure J.1 – Typical curve for U_T of an SPD	114
Figure J.2 – Internal disconnecter in the case of a two-port SPD	115
Figure J.3 – Use of parallel SPDs	116
Figure K.1 – Installation of surge protective devices in TN-systems	118
Figure K.2a – Connection Type 1	119
Figure K.2b – Connection Type 2	120
Figure K.2 – Installation of surge protective devices in TT-systems (SPD downstream of the RCD)	120
Figure K.3 – Installation of surge protective devices in TT-systems (SPD upstream of the RCD)	121
Figure K.4 – Installation of surge protective devices in IT-systems without distributed neutral	122
Figure K.5 – Typical installation of SPD at the entrance of the installation in case of a TN C-S system	123
Figure K.6 – General way of installing one-port SPDs	124
Figure K.7 – Examples of acceptable and unacceptable SPD installations regarding EMC aspects	125
Figure K.8 – Physical and electrical representations of a system where equipment being protected is separated from the SPD giving protection	126
Figure K.9 – Possible oscillation between a ZnO SPD and the equipment to be protected	126
Figure K.10 – Example of voltage doubling	127
Figure K.11 – Subdivision of a building into protection zones	128
Figure K.12a – Residual voltage on varistors	130
Figure K.12b – Sharing of current between two varistors	131
Figure K.12 – Coordination of two ZnO varistors:	131
Figure N.1 – A wiring diagram of an SPD connected on the load side of the main incoming isolator via a separate isolator (which could be included in the SPD enclosure)	138

Figure N.2 – SPD connected to the nearest available outgoing MCB to the incoming supply (TNS installation typically seen in the UK)	139
Figure N.3 – A single line-wiring diagram of an SPD connected in shunt on the first outgoing way of the distribution panel via a fuse (or MCB).....	140
Figure N.4 – SPD connected to the nearest available circuit breaker on the incoming supply (US three phase 4W + G, TN-C-S installation).....	141
Figure N.5 – SPD connected to the nearest available circuit breaker on the incoming supply (US single (split) phase 3W + G, 120/240 V system - typical for residential and small office applications).....	142
Figure O.1 – Example of a PC with modem in a US power and communication system	144
Figure O.2 – Schematic of circuit of Figure O.1 used for experimental test	145
Figure O.3 – voltage recorded across reference points for the PC/modem during a surge in the example	146
Figure O.4 – typical TT system used for simulations	147
Figure O.5 – Voltage and current waveshapes when a multiservice SPD is applied to circuit of Figure O.1	149
Table 1 – Maximum TOV values as given in IEC 60634-4-44	29
Table 2 – Preferred values of I_{imp}	37
Table 3 – Possible modes of protection for various LV systems	43
Table 4 – Minimum recommended U_C of the SPD for various power systems	49
Table 5 – Typical TOV test values	50
Table B.1 – Relationship between U_C and nominal system voltage	64
Table B.2 – Relationship between U_p/U_C for ZnO varistors	65
Table F.1 –	98
Table F.2 –	98
Table F.3 –	98
Table O.1 – Simulation results	148
Table P.1 – Examples of ratio between single shot withstand and full preconditioning/operating duty test	152

INTERNATIONAL ELECTROTECHNICAL COMMISSION

LOW-VOLTAGE SURGE PROTECTIVE DEVICES –**Part 12: Surge protective devices connected
to low-voltage power distribution systems –
Selection and application principles**

FOREWORD

- 1) The International Electrotechnical Commission (IEC) is a worldwide organization for standardization comprising all national electrotechnical committees (IEC National Committees). The object of IEC is to promote international co-operation on all questions concerning standardization in the electrical and electronic fields. To this end and in addition to other activities, IEC publishes International Standards, Technical Specifications, Technical Reports, Publicly Available Specifications (PAS) and Guides (hereafter referred to as “IEC Publication(s)”). Their preparation is entrusted to technical committees; any IEC National Committee interested in the subject dealt with may participate in this preparatory work. International, governmental and non-governmental organizations liaising with the IEC also participate in this preparation. IEC collaborates closely with the International Organization for Standardization (ISO) in accordance with conditions determined by agreement between the two organizations.
- 2) The formal decisions or agreements of IEC on technical matters express, as nearly as possible, an international consensus of opinion on the relevant subjects since each technical committee has representation from all interested IEC National Committees.
- 3) IEC Publications have the form of recommendations for international use and are accepted by IEC National Committees in that sense. While all reasonable efforts are made to ensure that the technical content of IEC Publications is accurate, IEC cannot be held responsible for the way in which they are used or for any misinterpretation by any end user.
- 4) In order to promote international uniformity, IEC National Committees undertake to apply IEC Publications transparently to the maximum extent possible in their national and regional publications. Any divergence between any IEC Publication and the corresponding national or regional publication shall be clearly indicated in the latter.
- 5) IEC provides no marking procedure to indicate its approval and cannot be rendered responsible for any equipment declared to be in conformity with an IEC Publication.
- 6) All users should ensure that they have the latest edition of this publication.
- 7) No liability shall attach to IEC or its directors, employees, servants or agents including individual experts and members of its technical committees and IEC National Committees for any personal injury, property damage or other damage of any nature whatsoever, whether direct or indirect, or for costs (including legal fees) and expenses arising out of the publication, use of, or reliance upon, this IEC Publication or any other IEC Publications.
- 8) Attention is drawn to the Normative references cited in this publication. Use of the referenced publications is indispensable for the correct application of this publication.
- 9) Attention is drawn to the possibility that some of the elements of this IEC Publication may be the subject of patent rights. IEC shall not be held responsible for identifying any or all such patent rights.

International Standard IEC 61643-12 has been prepared by subcommittee 37A: Low-voltage surge protective devices, of IEC technical committee 37: Surge arresters.

This second edition of IEC 61643-12 cancels and replaces the first edition published in 2002. It constitutes a technical revision. Specific change with respect to the previous edition is the incorporation of Amendment 1, which was not published separately due to the number of changes and pages.

This standard shall be used in conjunction with IEC 61643-1:2005, *Low-voltage surge protective devices – Part 1: Surge protective devices connected to low-voltage power distribution systems – Requirements and tests*.

The text of this standard is based on the following documents:

FDIS	Report on voting
37A/209/FDIS	37A/212/RVD

This publication has been drafted in accordance with the ISO/IEC Directives, Part 3.

IEC TC 37, SC 37A and SC 37B have adopted a new numbering scheme for all IEC publications developed within these committees.

In this standard, the IEC 61643 series of publications covers all the publications from SC 37A and SC 37B according to the table below with the common general title *Low-voltage surge protective devices*.

Publication	Title	Present document
IEC 61643	Low-voltage surge protective devices	–
IEC 61643-11	Low-voltage surge protective devices – Part 11: Surge protective devices connected to low-voltage power distribution systems – Performance requirements and testing methods	IEC 61643-1
IEC 61643-12	Low-voltage surge protective devices – Part 12: Surge protective devices connected to low-voltage power distribution systems – Selection and application principles	IEC 61643-12
IEC 61643-21	Low-voltage surge protective devices – Part 21: Surge protective devices connected to telecommunications and signalling networks – Performance requirements and testing methods	IEC 61643-21
IEC 61643-22	Low-voltage surge protective devices – Part 22: Surge protective devices connected to telecommunications and signalling networks – Selection and application principles	IEC 61643-22
IEC 61643-301	Low-voltage surge protective devices – Part 301: Components for surge protective devices – General test specifications	
IEC 61643-302	Low-voltage surge protective devices – Part 302: Components for surge protective devices – General performance specifications	
IEC 61643-303	Low-voltage surge protective devices – Part 303: Components for surge protective devices – General selection and application principles	
IEC 61643-311	Low-voltage surge protective devices – Part 311: Components for surge protective devices – Test specification for gas discharge tubes (GDTs)	IEC 61643-311
IEC 61643-312	Low-voltage surge protective devices – Part 312: Components for surge protective devices – Performance specification for gas discharge tubes (GDTs)	
IEC 61643-313	Low-voltage surge protective devices – Part 313: Components for surge protective devices – Selection and applications principles for gas discharge tubes (GDTs)	
IEC 61643-321	Low-voltage surge protective devices – Part 321: Components for surge protective devices – Test specification for avalanche breakdown diodes (ABDs)	IEC 61643-321
IEC 61643-322	Low-voltage surge protective devices – Part 322: Components for surge protective devices – Performance specification for avalanche breakdown diodes (ABDs)	
IEC 61643-323	Low-voltage surge protective devices – Part 323: Components for surge protective devices – Selection and applications principles for avalanche breakdown diodes (ABDs)	
IEC 61643-331	Low-voltage surge protective devices – Part 331: Components for surge protective devices – Test specification for metal oxide varistors (MOVs)	IEC 61643-331
IEC 61643-332	Low-voltage surge protective devices – Part 332: Components for surge protective devices – Performance specification for metal oxide varistors (MOVs)	
IEC 61643-333	Low-voltage surge protective devices – Part 333: Components for surge protective devices – Selection and application principles for metal oxide varistors (MOVs)	
IEC 61643-341	Low-voltage surge protective devices – Part 341: Components for surge protective devices – Test specification for thyristor surge suppressors (TSSs)	IEC 61643-341

IEC 61643-342	Low-voltage surge protective devices – Part 342: Components for surge protective devices – Performance specification for thyristor surge suppressors (TSSs)	
IEC 61643-343	Low-voltage surge protective devices – Part 343: Components for surge protective devices – Selection and application principles for thyristor surge suppressors (TSSs)	

The committee has decided that the contents of this publication will remain unchanged until the maintenance result date indicated on the IEC web site under "<http://webstore.iec.ch>" in the data related to the specific publication. At this date, the publication will be

- reconfirmed,
- withdrawn,
- replaced by a revised edition, or
- amended.

www.international-electrotechnical-commission.org

0 Introduction

0.1 General

Surge protective devices (SPDs) are used to protect, under specified conditions, electrical systems and equipment against various overvoltages and impulse currents, such as lightning and switching surges.

SPDs shall be selected according to their environmental conditions and the acceptable failure rate of the equipment and the SPDs.

This standard provides information to the user about characteristics useful for the selection of an SPD.

This standard provides information to evaluate, with reference to IEC 62305, Parts 1 to 4 and IEC 60364 series, the need for using SPDs in low-voltage systems. It provides information on selection and co-ordination of SPDs, while taking into account the entire environment in which they are applied. Examples include: equipment to be protected and system characteristics, insulation levels, overvoltages, method of installation, location of SPDs, coordination of SPDs, failure mode of SPDs and equipment failure consequences.

It also provides guidance for performing a risk analysis.

Guidance on requirements for product insulation coordination is provided by IEC 60664 series. Requirements for safety (fire, overcurrent and electric shock) and installation are provided by IEC 60364 series.

The IEC 60364 series of standards provide direct information for contractors on the installation of SPDs. IEC/TR 62066 gives more information on the scientific background of surge protection.

0.2 Keys to understanding the structure of this standard

The list below summarizes the structure of this standard and provides a summary of the information covered in each clause and annex. The main clauses provide basic information on the factors used for SPD selection. Readers who wish to obtain more detail on the information provided in Clauses 4 to 7 should refer to the relevant annexes.

Clause 1 describes the scope of this standard.

Clause 2 lists the normative references where additional information may be found.

Clause 3 provides definitions useful for the comprehension of this standard.

Clause 4 addresses the parameters of systems and equipment relevant to SPDs. In addition to the stresses created by lightning, those created by the network itself, namely temporary overvoltages and switching surges, are described.

Clause 5 lists the electrical parameters used in the selection of an SPD and gives some explanation regarding these parameters. These are related to the data given in IEC 61643-1.

Clause 6 is the core of this standard. It relates the stresses coming from the network (as discussed in Clause 4) to the characteristics of the SPD (as discussed in Clause 5). It outlines how the protection given by SPDs may be affected by its installation. The different steps for the selection of an SPD are presented including the problems of coordination when more than one SPD is used in an installation (details about coordination may be found in Annex F).

Clause 7 is an introduction to the risk analysis (considerations of when the use of SPDs is beneficial).

Clause 8 deals with coordination between signalling and power lines (under consideration).

Annex A deals with information needed for tenders and explains testing procedures used in IEC 61643-1.

Annex B provides examples of the relationship between two important parameters of SPDs, U_C and U_p , in the specific case of ZnO varistors and also examples of the relationship between U_C and the nominal voltage of the network.

Annex C supplements the information given in Clause 4 on surge voltages in low-voltage systems.

Annex D deals with the calculation of the sharing of lightning current between different earthing systems.

Annex E deals with calculation of temporary overvoltages due to faults in the high-voltage system.

Annex F supplements the information given in Clause 6 on coordination rules when more than one SPD is used in a system.

Annex G provides specific examples on the use of this standard.

Annex H provides specific examples of the use of the risk analysis.

Annex I supplements the information given in Clause 4 about system stresses.

Annex J supplements the information given in Clause 5 on criteria for selection of SPDs.

Annex K supplements the information given in Clause 6 on the application of SPDs in various low-voltage systems.

Annex L supplements the information given in Clause 7 on the parameters used in risk analysis.

Annex M discusses differences between immunity level and insulation withstand of electrical equipment

Annex N provides practical examples of SPD installation as used in some countries

Annex O discusses problems of coordination with equipment having both signalling and power terminals

Annex P provides information on withstand of fuses in surge conditions

LOW-VOLTAGE SURGE PROTECTIVE DEVICES –

Part 12: Surge protective devices connected to low-voltage power distribution systems – Selection and application principles

1 Scope

This part of IEC 61643 describes the principles for selection, operation, location and coordination of SPDs to be connected to 50 Hz to 60 Hz a.c. and to d.c. power circuits and equipment rated up to 1 000 V r.m.s. or 1 500 V d.c.

NOTE 1 Additional requirements may be necessary for special applications such as electrical traction, etc.

NOTE 2 It should be remembered that IEC 60364 series and IEC 62305-4 are also applicable.

NOTE 3 This standard deals only with SPDs and not with SPDs components integrated inside equipment.

2 Normative references

The following referenced documents are indispensable for the application of this document. For dated references, only the edition cited applies. For undated references, the latest edition of the referenced document (including any amendments) applies.

IEC 60060-1, *Lamp caps and holders together with gauges for the control of interchangeability and safety – Part 1: Lamp cap*

IEC 60364 (all parts), *Low-voltage electrical installations*

IEC 60364-4-41, *Low-voltage electrical installations – Part 4-41: Protection for safety – Protection against electric shock*

IEC 60364-4-44, *Low voltage electrical installations – Part 4-44: Protection for safety – Protection against voltage disturbances and electromagnetic disturbances*

IEC 60364-5-53: 2001, *Electrical installations of buildings – Part 5-53: Selection and erection of electrical equipment – Isolation, switching and control*

IEC 60529, *Degrees of protection provided by enclosures (IP Code)*

IEC 60664-1, *Insulation coordination for equipment within low-voltage systems – Part 1: Principles, requirements and tests*

IEC 61000-4-5, *Electromagnetic compatibility (EMC) – Part 4-5: Testing and measurement techniques – Surge immunity test*

IEC 61008-1, *Residual current operated circuit-breakers without integral overcurrent protection for household and similar uses (RCCBs) – Part 1: General rules*

IEC 61009-1, *Residual current operated circuit-breakers with integral overcurrent protection for household and similar uses (RCBOs) – Part 1: General rules*

IEC 62305-1, *Protection against lightning – Part 1: General principles*

IEC 62305-2, *Protection against lightning – Part 2: Risk management*

IEC 62305-3, *Protection against lightning – Part 3: Physical damages to structures and life hazard*

IEC 62305-4, *Protection against lightning – Part 4: Electrical and electronic systems within structures*

IEC 61643-1 *Low-voltage surge protective devices – Part 1: Surge protective devices connected to low-voltage power distribution systems – Requirements and tests*

3 Terms, definitions and abbreviated terms

3.1 Terms and definitions

For the purposes of this document, the following terms, definitions and abbreviated terms apply.

NOTE These terms and definitions are for the most part reproduced from IEC 61643-1 (the definition number being indicated within square brackets). Where necessary a note has been added for better understanding regarding application of SPDs.

3.1.1

surge protective device SPD

device that is intended to limit transient overvoltages and divert surge currents. It contains at least one non-linear component

[definition 3.1 of IEC 61643-1]

3.1.2

continuous operating current

I_c

current flowing through each mode of protection of the SPD when energized at the maximum continuous operating voltage (U_c) for each mode

3.1.3

maximum continuous operating voltage

U_c

maximum r.m.s. or d.c. voltage which may be continuously applied to the SPD's mode of protection. This is equal to the rated voltage

[definition 3.11 of IEC 61643-1]

3.1.4

voltage protection level

U_p

parameter that characterizes the performance of the SPD in limiting the voltage across its terminals, which is selected from a list of preferred values. This value is greater than the highest value of the measured limiting voltages

[definition 3.15 of IEC 61643-1]

3.1.5

measured limiting voltage

maximum magnitude of voltage that is measured across the terminals of the SPD during the application of impulses of specified waveshape and amplitude

[definition 3.16 of IEC 61643-1]

3.1.6 residual voltage

U_{res}

peak value of voltage that appears between the terminals of an SPD due to the passage of discharge current

[definition 3.17 of IEC 61643-1]

3.1.7 temporary overvoltage test value of the SPD

U_T

test voltage applied to the SPD for a specific duration to simulate the stress under TOV conditions

NOTE 1 Adapted from 3.18 of IEC 61643-1 by adding the following Note 2.

NOTE 2 It is a characteristic declared by the manufacturer that gives information about the behaviour of the SPD when stressed with voltages U_T above U_C for a given specific duration t_T (this behaviour may either be no change in the performance after application of the temporary overvoltage or a defined failure without hazard for either personnel, equipment or facility)

3.1.8 temporary overvoltage value of the power system

U_{TOV}

power frequency overvoltage occurring on the network at a given location, of relatively long duration. TOVs may be caused by faults inside the LV system ($U_{TOV(LV)}$) or inside the HV system ($U_{TOV(HV)}$)

NOTE Temporary overvoltages, typically lasting up to several seconds, usually originate from switching operations or faults (for example, sudden load shedding, single-phase faults, etc.) and/or from non-linearity (ferroresonance effects, harmonics, etc.)

3.1.9 nominal discharge current

I_n

crest value of the current through the SPD having a current waveshape of 8/20. This is used for the classification of the SPD for class II test and also for preconditioning of the SPD for class I and II tests

[definition 3.8 of IEC 61643-1]

3.1.10 impulse current

I_{imp}

it is defined by three parameters, a current peak value I_{peak} , a charge Q and a specific energy W/R . Tested according to the test sequence of the operating duty test. This is used for the classification of the SPD for class I test

[definition 3.9 of IEC 61643-1]

3.1.11 combination wave

delivered by a generator that applies a 1,2/50 voltage impulse across an open circuit and an 8/20 current impulse into a short circuit. The voltage, current amplitude and waveforms that are delivered to the SPD are determined by the generator and the impedance of the SPD to which the surge is applied. The ratio of peak open-circuit voltage to peak short-circuit current is 2Ω , this is defined as the fictive impedance Z_f . The short-circuit current is symbolized by I_{sc} . The open-circuit voltage is symbolized by U_{oc}

[definition 3.24 of IEC 61643-1]

3.1.12**8/20 current impulse**

current impulse with a virtual front time of 8 μs and a time to half-value of 20 μs where

- the front time is defined according to IEC 60060-1 to be $1,25 \times (t_{90} - t_{10})$, where t_{90} and t_{10} are the 90 % and 10 % points on the leading edge of the waveform;
- the time to half-value is defined as the time between the virtual origin and the 50 % point on the tail. The virtual origin is the point where a straight line, drawn through the 10 % and 90 % points on the leading edge of the waveform, intersects the $I = 0$ line.

[definition 3.23 of IEC 61643-1]

3.1.13**1,2/50 voltage impulse**

voltage impulse with a virtual front time of 1,2 μs and a time to half-value of 50 μs where

- the front time is defined according to IEC 60060-1 to be $1,67 \times (t_{90} - t_{30})$, where t_{90} and t_{30} are the 90 % and 30 % points on the leading edge of the waveform;
- the time to half-value is defined as the time between the virtual origin and the 50 % point on the tail. The virtual origin is the point where a straight line, drawn through the 30 % and 90 % points on the leading edge of the waveform, intersects the $U = 0$ line.

[definition 3.22 of IEC 61643-1]

3.1.14**thermal runaway**

operational condition when the sustained power dissipation of an SPD exceeds the thermal dissipation capability of the housing and connections, leading to a cumulative increase in the temperature of the internal elements culminating in failure

[definition 3.25 of IEC 61643-1]

3.1.15**thermal stability**

an SPD is thermally stable if after the operating duty test causing temperature rise, the temperature of the SPD decreases with time when the SPD is energized at specified maximum continuous operating voltage and at specified ambient temperature conditions

[definition 3.26 of IEC 61643-1]

3.1.16**SPD disconnecter**

device (internal and/or external) required for disconnecting an SPD from the power system

NOTE This disconnecting device is not required to have isolating capability. It is to prevent a persistent fault on the system and is used to give indication of the SPD failure.

There may be more than one disconnecter function for example, an over-current protection function and a thermal protection function. These functions may be integrated into one unit or performed in separate units.

[definition 3.29 of IEC 61643-1]

3.1.17**type tests**

tests which are made upon the completion of the development of a new SPD design. They are used to establish representative performance and to demonstrate compliance with the relevant standard. Once made, these tests need not be repeated unless the design is changed so as to modify its performance. In such a case, only the relevant tests need be repeated

[definition 3.31 of IEC 61643-1]

3.1.18**routine tests**

tests made on each SPD or on parts and materials as required to ensure that the product meets the design specifications

[definition 3.32 of IEC 61643-1]

3.1.19**acceptance tests**

tests which are made when it has been agreed between the manufacturer and the purchaser that the SPD or representative samples of an order are to be tested

[definition 3.33 of IEC 61643-1]

3.1.20**degrees of protection provided by enclosure (IP code)**

extent of protection provided by an enclosure against access to hazardous parts, against ingress of solid foreign objects and/or against ingress of water (see IEC 60529)

[definition 3.30 of IEC 61643-1]

3.1.21**voltage drop (in per cent)**

$$\Delta U = [(U_{in} - U_{out}) / U_{in}] \times 100 \%$$

where U_{in} is the input voltage and U_{out} is the output voltage measured simultaneously with a full rated resistive load connected. This parameter is only used for two-port SPDs

[definition 3.20 of IEC 61643-1]

3.1.22**insertion loss**

at a given frequency, the insertion loss of an SPD connected into a given power system is defined as the ratio of voltages appearing across the mains immediately beyond the point of insertion before and after the insertion of the SPD under test. This result is expressed in decibels (dB)

NOTE Requirements and tests are under consideration.

[definition 3.21 of IEC 61643-1]

3.1.23**load-side surge withstand capability for a two-port SPD**

ability of a two-port SPD to withstand surges on the output terminals originated in loads downstream of the SPD

[definition 3.19 of IEC 61643-1]

3.1.24**short-circuit withstand**

maximum prospective short-circuit current that the SPD is able to withstand

NOTE 1 Adapted from 3.28 of IEC 61643-1 by adding the following Note 2.

NOTE 2 This definition refers both to d.c. and a.c. 50/60 Hz. Two short-circuit withstand values may be defined for two-port SPDs or one-port SPDs having separated input and output terminals: one corresponding to an internal short circuit (by-passing the internal active part) and another one corresponding to an external short circuit (load-side short-circuit) directly at the output terminals (case of a failure at the load).

3.1.25

one-port SPD

SPD connected in shunt with the circuit to be protected. A one-port device may have separate input and output terminals without a specified series impedance between these terminals

NOTE 1 Adapted from 3.2 of IEC 61643-1 by adding the following Note 2.

NOTE 2 Figure 1 shows some typical one-port SPDs and the generic drawing for a one-port SPD (Figure 1c). A one-port SPD may be connected in shunt, Figure 1a, or in line with the power supply, Figure 1b. In the first case, the load current is not flowing through the SPD. In the second case, the load current is flowing through the SPD and the temperature rise under load current and the associated maximum admissible load current may be determined as for a two-port SPD. Figure 3b to 3d show the response of various types of one-port SPD to an 8/20 impulse applied via a combination wave generator.

3.1.26

two-port SPD

SPD with two sets of terminals, input and output. A specific series impedance is inserted between these terminals

NOTE 1 Adapted from 3.3 of IEC 61643-1 by adding the following Note 2.

NOTE 2 The measured limiting voltage may be higher at the input terminals than at the output terminals. Therefore, equipment to be protected is to be connected to the output terminals. Figure 2 shows typical two-port SPDs. Figure 3e and Figure 3f show the response of a two-port SPD to an 8/20 impulse applied via a combination wave generator.

3.1.27

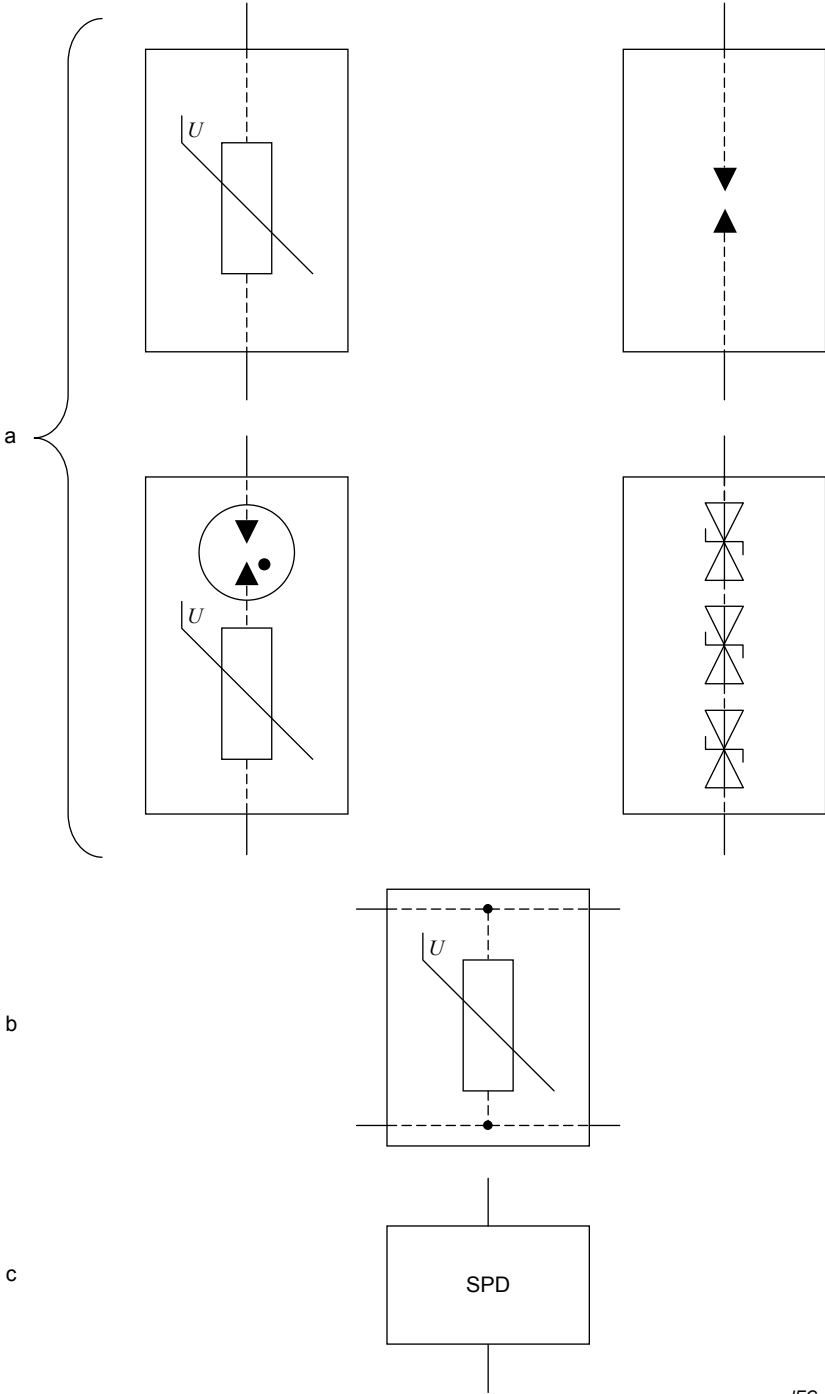
voltage switching type SPD

SPD that has a high impedance when no surge is present, but can have a sudden change in impedance to a low value in response to a voltage surge

NOTE 1 Common examples of components used as voltage-switching devices are spark-gaps, gas discharge tubes (GDT), thyristors (silicon-controlled rectifiers) and triacs. These SPDs are sometimes called "crowbar type"

NOTE 2 Adapted from 3.4 of IEC 61643-1 by adding the following Note 3.

NOTE 3 A voltage-switching device has a discontinuous U versus I characteristic. Figure 3c shows the response of a typical voltage switching SPD to an impulse applied via a combination wave generator.

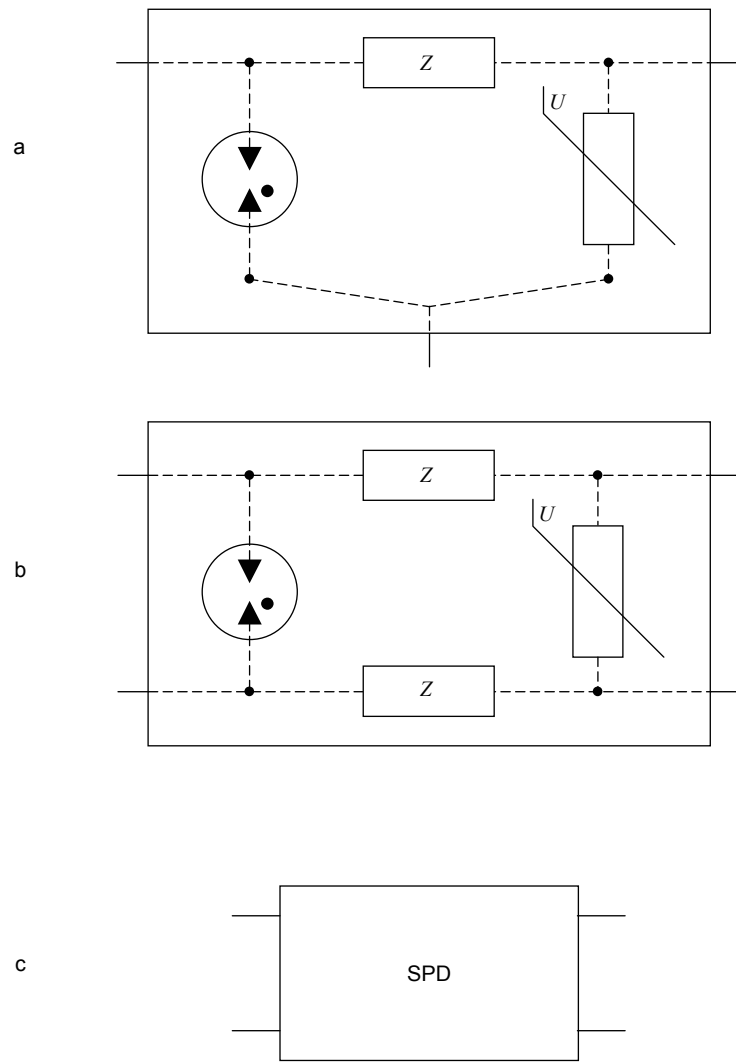


IEC 1907/08

Key

- a One-port SPDs
- b One-port SPD with separate input and output terminals
- c Generic symbol for a one-port SPD

Figure 1 – Examples of one-port SPDs



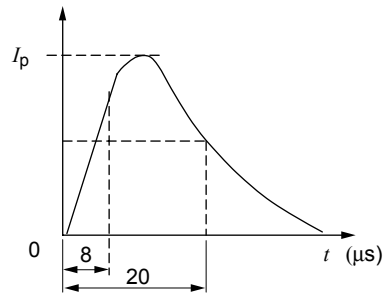
IEC 1908/08

Key

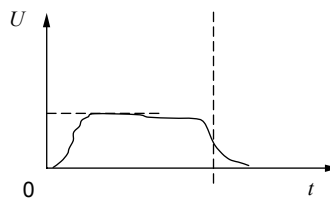
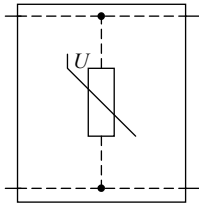
- a Three-terminal two-port SPD
- b Four-terminal two-port SPD
- c Generic symbol for a two-port SPD
- Z Series impedance between input and output terminals

Figure 2 – Examples of two-port SPDs

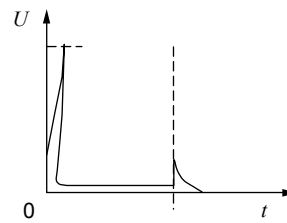
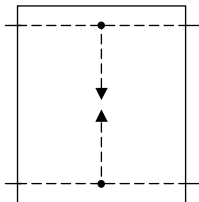
a



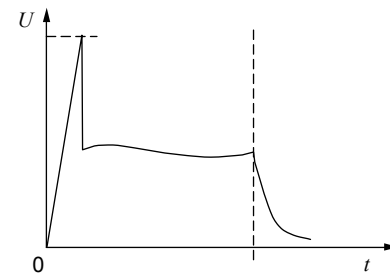
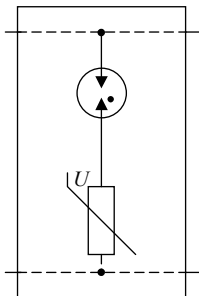
b



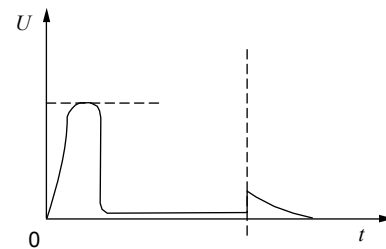
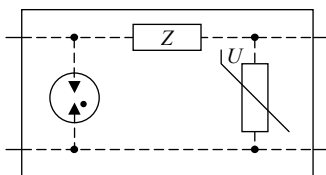
c



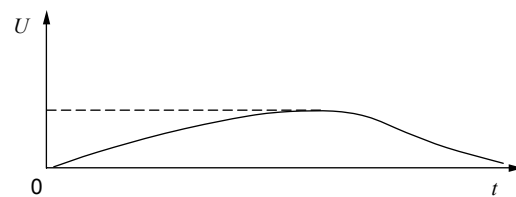
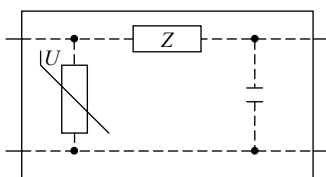
d



e



f



IEC 1909/08

Key

- a Applied current waveform
- b Response of voltage limiting type SPD
- c Response of voltage switching type SPD
- d Response of one-port combination type SPD
- e Response of two-port combination type SPD
- f Response of two-port voltage limiting type SPD with filtering

NOTE The voltage levels are only representative and not an indication of actual values. U in the right part of the figure means the output voltage of the SPDs where U in the left part is the symbol for varistor

**Figure 3 – Output voltage response of one-port and two-port SPDs
to a combination wave impulse**

3.1.28**voltage limiting type SPD**

SPD that has a high impedance when no surge is present, but will reduce it continuously with increased surge current and voltage

NOTE 1 Common examples of components used as non-linear devices are: varistors and suppressor diodes. These SPDs are sometimes called "clamping type".

NOTE 2 Adapted from 3.5 of IEC 61643-1 by adding the following Note 3.

NOTE 3 A voltage-limiting device has a continuous U versus I characteristic. Figure 3b shows the response of a typical voltage-limiting SPD to an impulse applied via a combination wave generator.

3.1.29**combination type SPD**

SPD that incorporates both voltage switching type components and voltage limiting type components may exhibit voltage-switching, voltage-limiting, or both voltage-switching and voltage-limiting behaviour depending upon the characteristics of the applied voltage

NOTE 1 Adapted from 3.6 of IEC 61643-1 by adding the following Note 2.

NOTE 2 Figure 3d and Figure 3e show the response of various typical combination type SPDs to a combination wave impulse.

3.1.30**modes of protection**

SPD protective components may be connected line to line or line to earth or line to neutral or neutral to earth and combination thereof. These paths are referred to as modes of protection

[definition 3.7 of IEC 61643-1]

3.1.31**follow current**

(I_f)

current supplied by the electrical power system and flowing through the SPD after a discharge current impulse. The follow current is significantly different from the continuous operating current (I_c)

[definition 3.13 of IEC 61643-1]

3.1.32**maximum discharge current for class II test**

(I_{max})

crest value of a current through the SPD having an 8/20 waveshape and magnitude according to the test sequence of the class II operating duty test. I_{max} is greater than I_n

[definition 3.10 of IEC 61643-1]

3.1.33 degradation

change of original performance parameters as a result of exposure of the SPD to surge, service or unfavourable environment

NOTE 1 Adapted from 3.27 of IEC 61643-1 by adding the following Note 2.

NOTE 2 Degradation is a measure of the ability of an SPD to withstand the conditions for which it is designed throughout its service life. Two type tests are applied to provide confidence with respect to degradation. The first one is the operating duty test and the second is the ageing test. However, these two tests may be combined.

The operating duty test is conducted by applying a specified number of defined current waveshapes to the SPD. Permitted changes in the SPD characteristics are given in IEC 61643-1.

The ageing test is carried out at a specified temperature with a voltage of specified magnitude and duration applied to the SPD. Permitted changes in the SPD characteristics are given in this standard (this test is under consideration).

This can be used to determine the SPD prospective installed life, which should also consider the following:

- replacement policy;
- location and accessibility;
- acceptable failure rate;
- operating practices.

3.1.34 residual current device RCD

mechanical switching device or association of devices intended to cause the opening of the contacts when the residual or unbalanced current attains a given value under specified conditions

[definition 3.37 of IEC 61643-1]

3.1.35 nominal voltage of the system

voltage by which a system or equipment is designated and to which certain operating characteristics are referred (for example, 230/400 V)

NOTE 1 Under normal system conditions, the voltage at the supply terminals may differ from the nominal voltage as determined by the tolerances of the supply systems. In this standard a tolerance of $\pm 10\%$ is used

NOTE 2 The nominal voltage of the system phase to earth is called U_n (see IEC 60038).

NOTE 3 The line-to-neutral voltage of the system is called U_0 .

NOTE 4 The line-to-line voltage of the system is called U .

3.1.36 Impulse test classification

3.1.36.1

class I test

test carried out with the nominal discharge current (I_n) defined in 3.1.9, the 1,2/50 voltage impulse defined in 3.1.13, and the maximum impulse current (I_{imp}) for class I test defined in 3.1.10

3.1.36.2**class II test**

test carried out with the nominal discharge current (I_n) defined in 3.1.9, the 1,2/50 voltage impulse defined in 3.1.13, and the maximum discharge current (I_{max}) for class II test defined in 3.1.32

3.1.36.3**class III test**

tests carried out with the combination wave (1,2/50, 8/20) defined in 3.1.11

NOTE Adapted from 3.35 of IEC 61643-1.

3.1.37**rated load current**

(I_L)

maximum continuous rated r.m.s. or d.c. current that can be supplied to a load connected to the protected output of an SPD

NOTE 1 Adapted from 3.14 of IEC 61643-1 by adding the following Note 2.

NOTE 2 This is only relevant to SPD(s) having separate input and output terminals.

3.1.38**overcurrent protection**

overcurrent device (e.g. circuit breaker or fuse), which could be part of the electrical installation located externally up-stream of the SPD

[definition 3.36 of IEC 61643-1]

3.1.39**maximum continuous operating voltage of the power system at the SPD location**

(U_{cs})

maximum r.m.s. or d.c. voltage to which the SPD may be permanently subjected at the point of application of the SPD

NOTE 1 This takes into account only voltage regulation and/or voltage drop or increase. It is also called actual maximum system voltage (see Figure 6) and is directly linked to U_0 .

NOTE 2 This voltage does not take into account harmonics, faults, TOVs or transient conditions.

3.1.40**sparkover voltage of a voltage-switching SPD**

maximum voltage value before disruptive discharge between the electrodes of the gap of a SPD

NOTE 1 Adapted from 3.38 of IEC 61643-1 by adding the following Note 2.

NOTE 2 A voltage-switching SPD may be based on components other than gaps (for example, silicon-based components).

3.1.41**lightning protection system**

LPS

complete system used to protect a structure and its contents against the effects of lightning

3.1.42**multiservice SPD**

surge protective device providing protection for two or more services such as power, telecommunication and signalling in a single enclosure in which a reference bond is provided between services during surge conditions.

3.1.43**residual current****(I_{PE})**

current flowing through the PE terminal, when the SPD is energized at the maximum continuous operating voltage (U_c) when connected according to the manufacturer instructions

[definition 3.42 of IEC 61643-1]

3.1.44**prospective short-circuit current of a power supply****(I_p)**

current which would flow at a given location in a circuit if it were short-circuited at that location by a link of negligible impedance

[definition 3.40 of IEC 61643-1]

3.1.45**follow current interrupting rating****(I_{fi})**

prospective short-circuit current that an SPD is able to interrupt by itself

[definition 3.41 of IEC 61643-1]

3.1.46**Specific energy for class I test****(W/R)**

energy dissipated by a unit resistance of 1 Ω with the impulse discharge current I_{imp}

3.1.47**Rated impulse withstand voltage****(U_w)**

impulse withstand voltage assigned by the manufacturer to the equipment or to a part of it, characterizing the specified withstand capability of its insulation against overvoltages

NOTE For the purpose of this standard only withstand voltages between live conductors and earth is considered.

3.2 List of abbreviations and acronyms used in this standard

List of abbreviations	
E_{MAX}	Maximum energy withstand
I_c	Continuous operating current
I_f	Follow current
I_{fi}	Follow current interrupting rating
I_{imp}	Impulse current for class I test
I_L	Rated load current
I_{max}	Maximum discharge current for class II test
I_n	Nominal discharge current
I_p	Prospective short-circuit current of a power supply
I_{peak}	Current peak value of impulse current
I_{PE}	Residual current
I_{sc}	Short-circuit current of the CWG
N_g	Ground flash density
N_k	Keraunic level
U_c	Maximum continuous operating voltage
U_{cs}	Maximum continuous operating voltage of the power system
U_m	Measured limiting voltage
U_n	Nominal voltage of the system phase to earth

U_0	Line-to-neutral voltage of the system
U_{oc}	Open-circuit voltage for class III test
U_p	Voltage protection level
U_{ref}	Reference voltage of a varistor
U_{res}	Residual voltage
U_T	Temporary overvoltage
U_{TOV}	Temporary overvoltage of the power system
$U_{TOV(HV)}$	Temporary overvoltage of the network inside the high-voltage system
$U_{TOV(LV)}$	Temporary overvoltage of the network inside the low-voltage system
U_W	Voltage withstand
ΔU	Voltage drop (in %)
Z_f	Fictive impedance

List of acronyms	
ABD	Avalanche breakdown diode
dB	Decibel
CWG	Combination wave generator
EMC	Electromagnetic compatibility
GDT	Gas discharge tube
HV	High voltage
IP	Degrees of protection provided by the enclosure
L	Inductance
LPS	Lightning protection system
LPZ	Lightning protection zone
LTE	let-through energy
LV	Low voltage
MEB	Main equipotential bonding
MOV	Metal oxide varistor
HVA	High voltage A (medium voltage, <50 kV)
MV	Medium voltage
PE	Protective earth
Q	Charge (of impulse current)
RCD	Residual current device
TOV	Temporary overvoltage
SPD	Surge protective device
W/R	Specific energy
ZnO	Zinc oxide

4 Systems and equipment to be protected

When evaluating an installation with regard to the use of an SPD, two factors need to be considered:

- the characteristics of the low-voltage power distribution system on which it will be used, including expected types and levels of overvoltage and current;
- the characteristics of the equipment requiring protection.

4.1 Low-voltage power distribution systems

Low-voltage power distribution systems are basically characterized by the type of system earthing (TNC, TNS, TNC-S, TT, IT) and the nominal voltage (see 3.35). Various types of

overvoltages and currents can occur. In this standard, the overvoltages are classified into three groups:

- lightning;
- switching;
- temporary overvoltages.

4.1.1 Lightning overvoltages and currents

In most cases lightning stress is the main factor for the selection of an SPD's class of test and associated current or voltage values (I_{imp} , I_{max} or U_{oc} , according to IEC 61643-1).

Evaluation of the waveshape and current (or voltage) amplitude of the lightning surges is necessary for the proper selection of an SPD. It is important to determine if the voltage protection level of the SPD will be adequate to protect the equipment in such circumstances.

For buildings with lightning protection systems, additional information on current amplitude and waveshape can be found in IEC 62305-1

NOTE For example, areas prone to frequent lightning strikes may require an SPD suitable to withstand class I or class II tests.

Generally (for example, in the case of direct strike to the lines or induced surges on the lines), higher stresses occur on the electrical installation external to the structure. Within the structure, the stresses are decreased when moving from the installation's entrance to internal circuits. The decrease is due to the change of circuit configuration and impedances.

The need for protection against lightning surges depends on

- the local ground flash density N_g (average annual ground flash density, in lightning flashes per km² per year, concerning the region where the structure is located). Modern lightning location systems can provide information on N_g with reasonable accuracy;
- the exposure of the electrical installation, including incoming services. Underground systems are generally considered to be less exposed than overhead systems.

Even if the supply is provided by an underground cable, the use of an SPD may be recommended to provide protection. To determine if surge protection is needed, the following are some items that should be considered:

- the installation has a lightning protection system in its vicinity;
- the length of the cable is not sufficient to provide adequate separation (attenuation) of the installation from the overhead part of the network;
- high surges of atmospheric origin can be expected on the overhead line supplying the MV (medium voltage) side of the transformer connected to the installation;
- the underground cable may be affected by direct lightning in the presence of high soil resistivity;
- the size or height of the building powered by the cable is large enough to significantly increase the risk for direct strikes to the building. The risk for direct strikes to other incoming (outgoing) services (telephone lines, antenna systems, etc.) that could affect the power system and equipment;
- other overhead services are present.

When many buildings are supplied from a single supply system, those buildings which do not have SPDs can have high stresses on their electrical systems.

For SPD installations in a structure, which is equipped with an external lightning protection system, it is (in case of direct lightning to the structure) generally sufficient to make

calculations using earthing d.c. resistance readings (for example, earthing of the building and power distribution system, pipes, etc), to determine the current distribution through the SPDs.

The evaluation of the waveform and current amplitude, as function of the lightning protection level and due to different sources of damage (i.e. direct to or close to the structure, direct to or near the power line) are reported in Annex E of IEC 62305-1.

Annex C and Annex I give more information about lightning stress.

4.1.2 Switching overvoltages

These stresses, in terms of peak current and voltage, are usually lower than lightning stresses but could have longer duration. However, in some cases, particularly deep inside a structure or close to switching overvoltage sources, the switching stress can be higher than the stresses caused by lightning. The energy related to these switching surges needs to be known to permit the choice of appropriate SPDs. The time duration of the switching surges, including transients due to faults and fuse operations, can be much longer than the lightning surge duration.

In general the selection of the surge rating of an SPD is based on the stresses due to lightning

Annex C and Annex I give more information about switching stress.

4.1.3 Temporary overvoltages U_{TOV}

4.1.3.1 General

Any SPD can be exposed to a temporary overvoltage U_{TOV} during its lifetime that exceeds the maximum continuous operating voltage of the power system.

A temporary overvoltage has two dimensions, magnitude and time. The time duration of the overvoltage primarily depends upon the earthing of the supply system (this includes both the high-voltage supply system as well as the low-voltage system to which the SPD is connected). In determining the temporary overvoltages, consideration should be given to the maximum continuous operating voltage of the power system (U_{CS}).

Annex E and Annex I provide more information about temporary overvoltage.

4.1.3.2 Standardized values

IEC 60364-4-44 gives the maximum values of U_{TOV} to be expected in low-voltage power systems (for a more detailed calculation of these values, refer to Annex E).

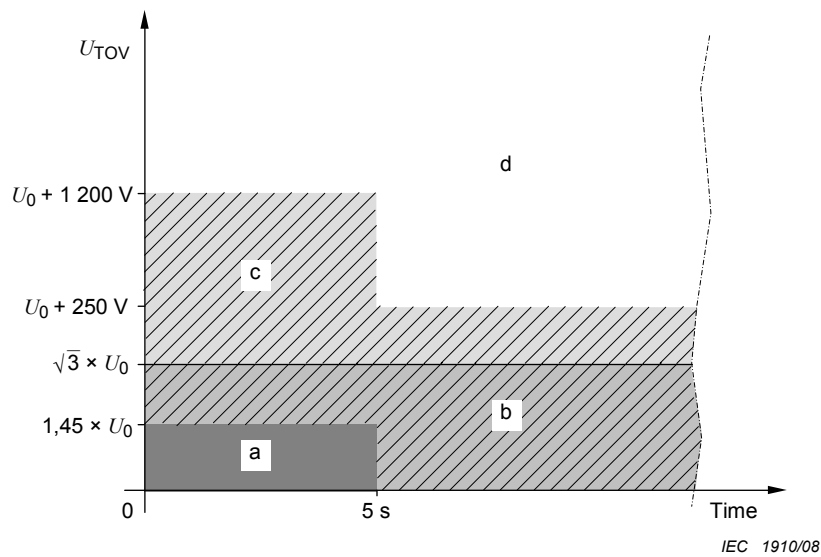
Lower values are possible depending on many factors such as the location of the SPD, the type of power system, etc.

The maximum values (see also Figure 4) given in Table 1 are at the consumer installation for transformer location (see Table 1, Note 2).

Table 1 – Maximum TOV values as given in IEC 60634-4-44

Occurrence of U_{TOV}	System	Maximum values for $U_{TOV(HV)}$
Between phase and earth	TT, IT	$U_0 + 250$ V for duration >5 s
		$U_0 + 1\,200$ V for duration up to 5 s
Between neutral and earth	TT, IT	250 V for duration >5 s
		1 200 V for duration up to 5 s
The above values are extreme values related to faults in the high-voltage power systems and can be calculated depending on the type of power systems according to Annex E.		
Occurrence of U_{TOV}	System	Maximum values for $U_{TOV(LV)}$
Between phase and neutral	TT and TN	$\sqrt{3} \times U_0$
The above value is related to a loss of the neutral conductor in the low-voltage system.		
Between phase and earth	IT system (TT system: see note 1)	$\sqrt{3} \times U_0$
The above value is related to accidental earthing of the phase conductor in the low-voltage system.		
Between phase and neutral	TT, IT and TN	$1,45 \times U_0$ for a duration up to 5 s
The above value is related to short circuit between a line conductor and the neutral conductor.		
NOTE 1 It has been demonstrated that such high TOVs can also occur in TT systems for durations up to 5 s. See Annex E for more details. This is not addressed in IEC 60364-4-44.		
NOTE 2 Maximum TOV values at the transformer location may be different from the table above (higher or lower). See Annex E for more details.		
NOTE 3 Loss of neutral is not considered for selection of SPDs.		

For further information, see Annex E.



Key

- a Area of $U_{TOV(LV)}$ between phase and neutral for TT, TN and IT systems for a fault in the LV installation (short circuit)
- b Area of $U_{TOV(LV)}$ between phase and earth for IT (TT, see Table 1, Note 1) system for a fault in the LV installation (accidental earthing of a phase conductor) and area of $U_{TOV(LV)}$ between phase and neutral for TT and TN systems for a fault in the LV installation (loss of neutral)
- c Maximum value for $U_{TOV(HV)}$ at the consumer installation between phase and earth for TT and IT systems in the case of a fault occurring in the HV system
- d Undefined area

Figure 4 – Maximum values of U_{TOV} according to IEC 60634-4-44

4.2 Characteristics of the equipment to be protected

Characteristics of the equipment to be protected under transient conditions are determined by two test methods, as follows:

- The impulse withstand of the equipment tested according to IEC 60664-1. This is only an insulation coordination test. During the test the equipment is de-energized.
- The impulse immunity of the equipment tested according to IEC 61000-4-5. This test evaluates the equipment’s operational immunity capabilities. The test is mainly performed with a combination wave generator (1,2/50, 8/20) at different levels. It determines where a malfunction, error or failure can occur during energized operation.

A comparison of the impulse withstand and impulse immunity levels with respect to the transient environment where the equipment is to be used, determines the potential need for SPDs. For more information, see Annex M.

NOTE The selected SPDs should provide a protective level U_p lower than the impulse withstand capability of the equipment or, in some cases where the continuous operation of the equipment is critical, lower than the impulse immunity of the equipment. U_p should be selected in accordance with 6.2.2 and 6.2.5. In addition, due to possible interaction between the equipment under test and the generator, the immunity of the equipment is a function not only of U_p but of the waveshape of the applied surge.

5 Surge protective devices

5.1 Basic functions of SPDs

The SPDs considered in this standard are those installed external to the equipment to be protected.

Their function can be described as follows.

- In power systems in the absence of surges: the SPD shall not have a significant influence on the operational characteristics of the system to which it is applied.
- In power systems during the occurrence of surges: the SPD responds to surges by lowering its impedance and thus diverting surge current through it to limit the voltage to its protective level. The surges could initiate a power follow current through the SPD.
- In power systems after the occurrence of surges: the SPD recovers to a high-impedance state after the surges and extinguishes any possible power follow current.

The characteristics of SPDs are specified to achieve the above functions under normal service conditions. The normal service conditions are specified by the frequency of the power-system voltage, load current, altitude (i.e. air pressure), humidity and ambient air temperature.

5.2 Additional requirements

Depending upon the application of the SPD, additional requirements may be needed such as:

- protection of SPDs against direct contact (it shall be in accordance with IEC 60364-4-41);
- safety in the event of SPD failures.

An SPD may fail when subjected to a surge greater than its designed maximum energy and discharge current capability. For the purpose of this standard, failure modes of SPDs are divided into open-circuit and short-circuit mode.

In the open-circuit mode the system to be protected is no longer protected. In this case, failure of an SPD is usually difficult to detect since it has almost no influence on the system. To ensure that the failed SPD is replaced before the next surge, an indication function may be required.

In the short-circuit mode, the system is severely influenced by the failed SPD. The short-circuit current flows through the failed SPD from the power source. Energy dissipated during the conduction of short-circuit current may be excessive and cause a fire hazard. The short-circuit withstand capability test of IEC 61643-1 covers this problem. In cases where the system to be protected has no suitable device to disconnect the failed SPD from its circuit, a suitable disconnecting device may be required to be used in conjunction with a SPD which has a short-circuit failure mode.

5.3 Classification of SPDs

5.3.1 SPD: classification

Surge protective devices are classified according to IEC 61643-1 as follows.

Number of ports:	one or two
Design topology:	voltage switching, voltage limiting or combination
SPD Class I, II and/or III tests	
Location:	indoor or outdoor
Accessibility:	accessible, inaccessible (out-of-reach)

Mounting method: fixed or portable

Disconnecter: location (external, internal, both external and internal, none) and protection functions (thermal, leakage current, overcurrent)

Overcurrent protection: specified or not

Degree of protection provided by the SPD enclosure (IP code)

Temperature range: normal or extended

NOTE By definition, outdoor means outside closed shelters. Hence, such SPDs are subjected to all external conditions. Indoor means inside closed shelters. Hence, such SPDs are subjected to indoor atmospheric conditions. Out-of-reach means no access to live parts without the use of tools or other equipments.

Some of the above choices are linked to the technology used and are defined by the manufacturer.

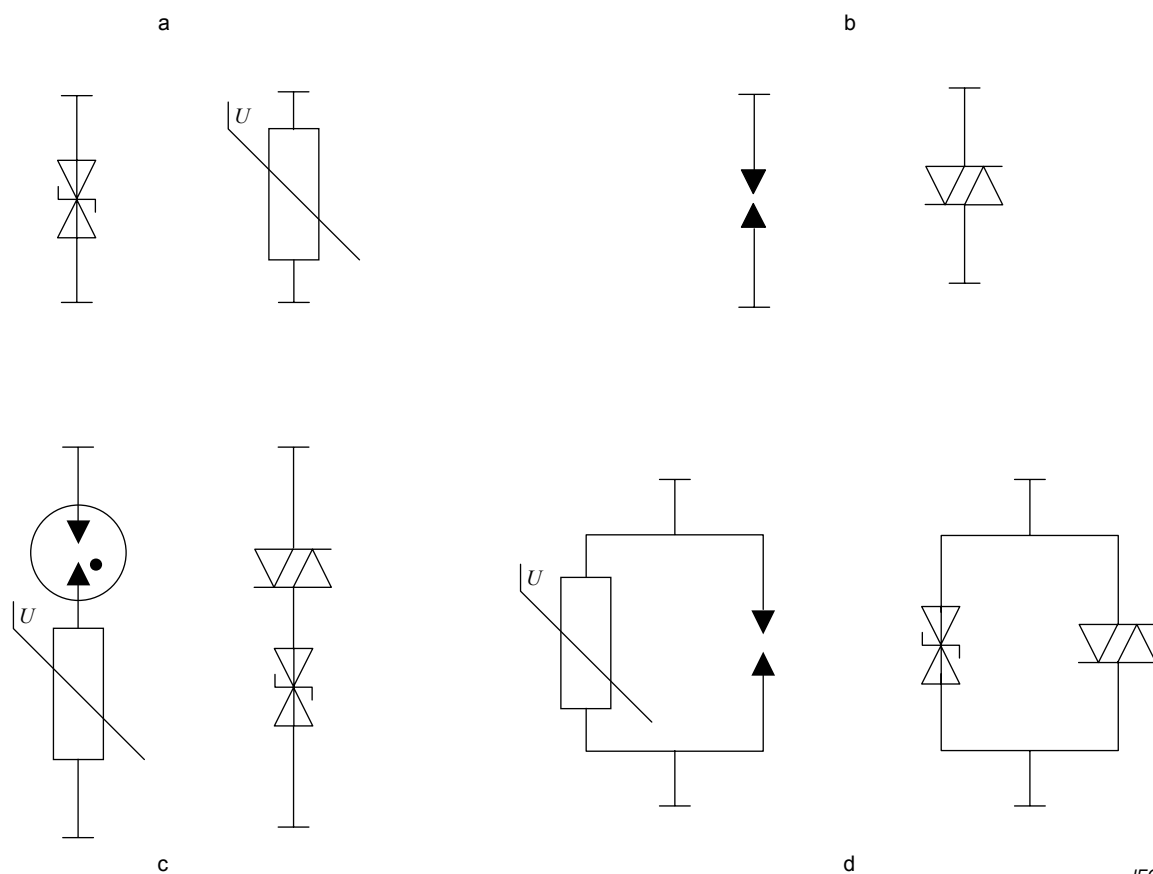
5.3.2 Typical design and topologies

The main protective components used in SPDs belong to two categories:

- voltage-limiting components: varistors, avalanche or suppressor diodes, etc.;
- voltage-switching components: air gaps, gas discharge tubes, thyristors (silicon-controlled rectifiers), triacs, etc.

Based on these components, typical SPD designs are given below (see Figure 5):

- single voltage-limiting component (Figure 5a): limiting type SPD;
- single voltage-switching component (Figure 5b): switching type SPD;
- combination of voltage-limiting and switching components (Figures 5c and d): combination type SPD.



IEC 1911/08

Key

- a Voltage-limiting components
- b Voltage-switching components
- c Voltage-limiting components in series with voltage-switching components
- d Voltage-limiting components in parallel with voltage-switching components

Figure 5 – Examples of components and combinations of components

Not all SPDs are defined by a simple arrangement of basic components. They may additionally incorporate indicators, disconnectors, fuses, inductors, capacitors and other components.

Additionally an SPD can be configured as: one-port SPD (see 3.25) or two-port SPD (see 3.26).

5.4 Characteristics of SPDs**5.4.1 Service conditions described in IEC 61643-1**

Normal service conditions:

- The frequency of the supply mains is between 48 Hz and 62 Hz a.c. or d.c.
- The altitude shall not exceed 2 000 m.
- Operating temperature: normal range $-5\text{ }^{\circ}\text{C}$ to $+40\text{ }^{\circ}\text{C}$, extended range $-40\text{ }^{\circ}\text{C}$ to $+70\text{ }^{\circ}\text{C}$.
- The relative humidity in indoor temperature conditions shall be between 30 % and 90 %.

NOTE 1 The user determines the location where the SPD is to be applied (outdoor, indoor, etc.) and should decide whether the environmental temperature conditions are within the normal or the extended range.

NOTE 2 IEC 61643-1 also gives indications regarding maximum continuous operating voltage of the SPDs. See 6.2.1 of this standard.

NOTE 3 In general, the temperature ranges for storage of a product is greater than for operation

Abnormal service conditions:

Exposure of the SPD to abnormal service conditions may require special consideration in the design or application of the SPD and should be called to the attention of the manufacturer.

Solar radiation: most SPDs are not exposed to solar radiation. In general, solar radiation is not considered during type testing. Where SPDs are exposed to solar radiation, this should be taken into account and tested accordingly.

NOTE 3 In general, the degree of protection of the SPD enclosure should be greater than IP2X. In some instances, other values could be used (for example, for outdoor SPDs).

5.4.2 List of parameters for SPD selection

The following is a non-exclusive list of parameters needed by the user(s) to properly select the SPD(s).

NOTE Some of these parameters are defined for each mode of protection.

- a) U_C : Maximum continuous operating voltage
- b) Temporary overvoltage characteristic
- c) I_n : Nominal discharge current (only for class I and for class II tests)
- d) I_{max} for class II tests, I_{imp} for class I tests, U_{OC} for class III tests
- e) U_p : Voltage protection level
- f) Failure modes
- g) Short-circuit withstand
- h) I_{fi} : Follow current interrupting rating (except in the case of voltage limiting type SPDs)
- i) Rated load current I_L (for two-port SPDs or one-port SPDs with separate input and output terminals)
- j) Voltage drop (for two-port SPDs or one-port SPDs with separate input and output terminals)
- k) I_{PE} : Residual current (optional)

Figure 6 shows the relationship between U_p , U_0 , U_C and U_{CS} .

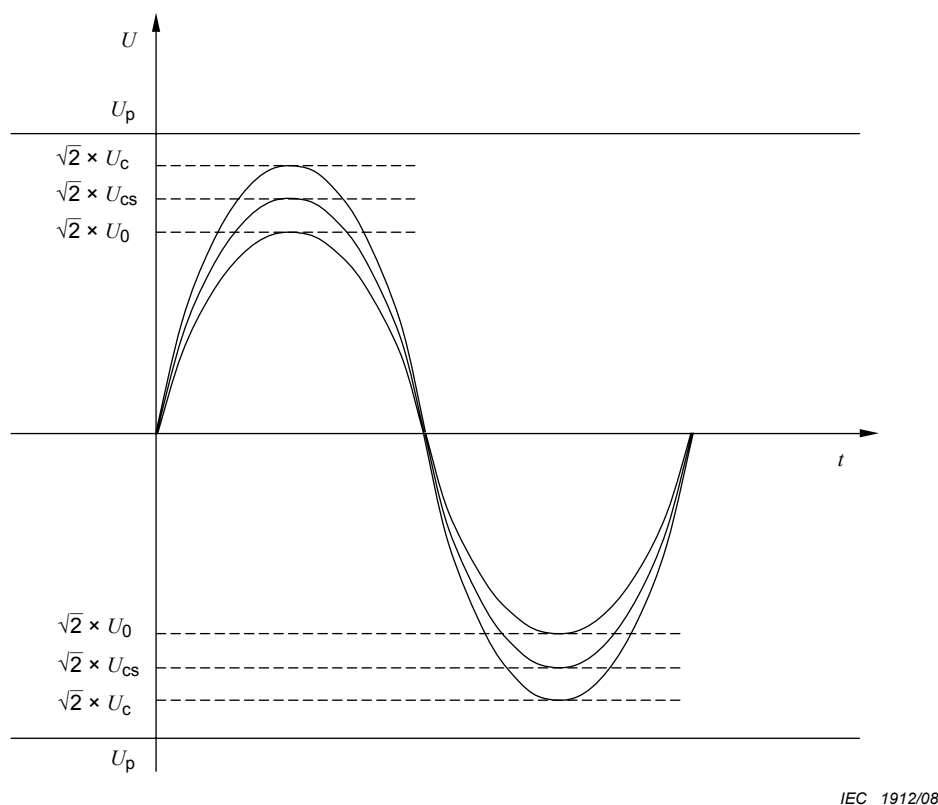


Figure 6 – Relationship between U_p , U_0 , U_c and U_{cs}

5.5 Additional information on characteristics of SPDs

5.5.1 Information related to power-frequency voltages

5.5.1.1 U_c : Maximum continuous operating voltage and I_c continuous operating current

U_c shall be selected in order to minimize any changes in SPD characteristics (ageing, thermal runaway, etc.) under normal conditions.

I_c is the value of current through the SPD when U_c is applied. The current flowing through the earth (PE) terminal, if any, is called the residual current I_{PE} . This current I_{PE} is used in selecting an SPD to avoid unnecessary operation of overcurrent devices or other protective devices (for example RCDs) (see 531.2.1.2 of IEC 60364-5-53).

See Annex J for further information on how the effect of the operation of an overcurrent or other protective device depends on the configuration of the system.

5.5.1.2 Temporary overvoltage characteristics

A few sets of values of power frequency (or d.c.) overvoltage versus time (up to several seconds) are sufficient to characterise the temporary overvoltage characteristic of an SPD.

The SPD may either withstand the TOV tests without unacceptable changes in its characteristics or fail in an acceptable manner

SPDs installed according to IEC 60364-5-53 shall withstand the TOV due to fault in the low voltage power system (See TOV values for 5 s duration in Table 5). The SPD installed between neutral and PE according to CT2 connection scheme (see Figure 11) shall also

withstand the TOV due to fault in the high voltage power system (See TOV values for 200 ms duration in Table 5)

Durations for TOVs considered by IEC 61643-1 are limited to two durations 200 ms and 5 s and related test voltage values are called U_T .

The temporary characteristic shall be given by the manufacturer according to IEC 61643-1.

NOTE Selecting an SPD with both a high temporary overvoltage withstand and a low voltage protection level may be difficult while still maintaining coordination with the equipment to be protected.

The user can select the most suitable SPD by comparing the temporary overvoltage characteristic of the SPD and the temporary overvoltages (U_{TOV}) occurring on the power system. Standardized values used for SPD testing are given in Table 5.

5.5.2 Information related to surge currents

The factors discussed below relate to the voltage, current and time characteristics of the surge waveform. Different surge waveforms and levels are used for testing depending upon the stresses to which the SPD is expected to be exposed.

Guidance to the selection of the appropriate test class(es) for an SPD is given in the introduction to IEC 61643-1, which states the following.

- The class I test is intended to simulate partial conducted lightning current impulses. SPDs subjected to class I test methods are generally recommended for locations at points of high exposure, for example, line entrances to buildings protected by lightning protection systems.
- SPDs tested to class II or III test methods are subjected to impulses of shorter duration. These SPDs are generally recommended for locations with lesser exposure to direct impulses.

When selecting an SPD it is necessary to consider both the test class and the magnitude of the impulse for which it is rated.

NOTE 1 The class II test applies an impressed current to the SPD. The class III test applies a voltage to the SPD, and the resultant current depends on the characteristics of the SPD.

NOTE 2 The class of test which the SPD has undergone is provided on the nameplate using the format represented by a T in a square: "T1" for class I test, "T2" for class II test and "T3" for class III test, or by writing "test class" in words.

5.5.2.1 I_n : Nominal discharge current (8/20) (for SPDs according to class I and II tests)

This is the current that is used as one test parameter for determining the measured limiting voltage for SPDs tested according to the class I and class II tests. This current is also used during preconditioning (applied 15 times) for the operating duty test for class I and class II.

I_n is lower than I_{max} and corresponds to a current that is expected to occur quite frequently in the field.

The preferred values for I_n are: (0,05; 0,1; 0,25; 0,5; 1,0; 1,5; 2,0; 2,5; 3,0; 5,0; 10; 15 and 20) kA.

5.5.2.2 I_{imp} and I_{max} (for SPDs according to class I and II tests)

I_{imp} and I_{max} are test parameters used in the operating duty test for class I and class II tests respectively. They are related to the maximum values of discharge currents, which are expected to occur only very rarely at the location of the SPD in the system. I_{max} is associated with class II tests and I_{imp} is associated with class I tests.

The preferred values for I_{imp} (I_{peak} , Q , W/R), according to IEC 61643-1, are given in Table 2.

Table 2 – Preferred values of I_{imp}

I_{peak} kA	Q C	W/R kJ/ Ω
20	10	100
12,5	6,25	39
10	5	25
5	2,5	6,25
2	1	1
1	0,5	0,25

NOTE 1 In general I_{imp} is associated with longer waveshapes than I_n

NOTE 2 The 10/350 waveshape is one example of a waveshape which meets the requirements of Table 2

5.5.3 Information related to voltage protection level provided by SPDs

5.5.3.1 Measured limiting voltage

a) Class I and class II tests

The determination of the measured limiting voltage is made by performing two tests:

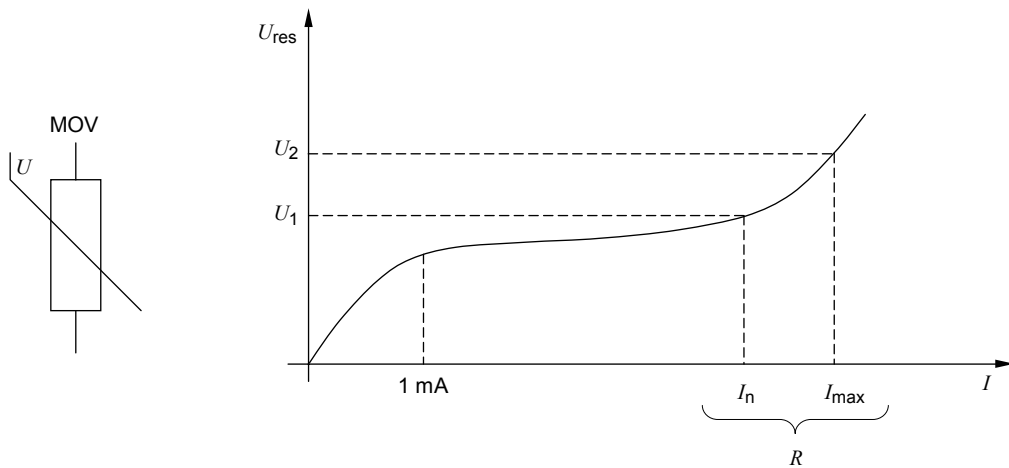
- measurement of the residual voltage at various values of current using 8/20 wave;
- measurement of the sparkover voltage using a 1,2/50 wave.

The measured limiting voltage is the highest voltage value of

- either the residual voltage, for the range of current
 - from $0,1 \times I_n$ up to I_{peak} or I_n whichever is the greater for class I test;
 - from $0,1 \times I_n$ up to $1,0 \times I_n$ for class II test;
- or the front of wave sparkover voltage using a 1,2/50 wave.

- SPDs with voltage-limiting components

Figure 7 shows a typical curve U_{res} versus I for a ZnO varistor. This shows that the residual voltage of the SPD at I_{max} shall also be considered. If this voltage is higher than the voltage protection level and especially if it is higher than the impulse withstand voltage of the equipment to be protected, then there is a risk that the SPD will survive such a stress but the equipment will not be protected. Voltage protection level and surge current withstand of the SPD shall, therefore, be selected accordingly.



IEC 1913/08

Key

U_1 Residual voltage at I_n

U_2 Residual voltage at I_{max}

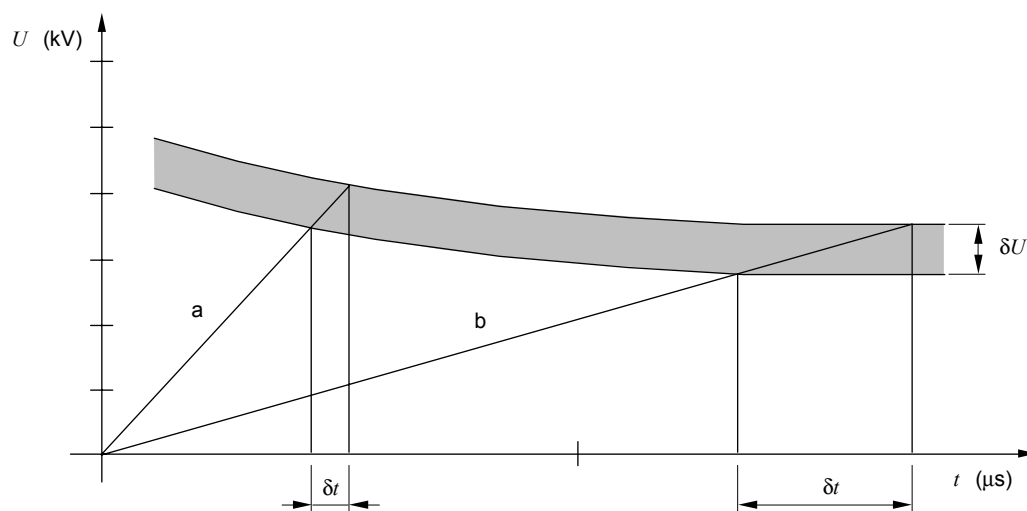
R Range of several kA

Figure 7 – Typical curve of U_{res} versus I for ZnO varistors

- SPDs with voltage-switching components

The impulse sparkover voltage of a spark gap device (gas discharge tube etc.) is dependent upon the rate of rise (dU/dt) of the applied transient overvoltage.

Generally, an increase in the voltage rate of rise (dU/dt) of the transient leads to an increase of the impulse sparkover voltage. As impulse sparkover voltage is a statistical value at a defined dU/dt , there will be a spread in the measured values (see Figure 8).



IEC 1914/08

Key

- a Higher rate of rise – 10 kV/μs
- b Lower rate of rise – 1 kV/μs
- δt Spread in time of sparkover
- δU Spread in voltage of sparkover

Figure 8 – Typical curve for a spark gap**b) Class III tests**

For SPDs tested according to class III, a combination wave generator is used. The maximum value measured during the test is then used as the measured limiting voltage.

5.5.3.2 Voltage protection level U_p

U_p is declared by the manufacturer. By definition it is equal to or greater than, the highest value of the measured limiting voltage. Selection of this value by the manufacturer should allow for manufacturing tolerances.

The preferred voltage protection levels are: (0,08; 0,09; 0,10; 0,12; 0,15; 0,22; 0,33; 0,4; 0,5; 0,6; 0,7; 0,8; 0,9; 1,0; 1,2; 1,5; 1,8; 2,0; 2,5; 3,0; 4,0; 5,0; 6,0; 8,0; and 10) kV.

Annex B gives a typical relationship between the nominal voltage of the system and the voltage protection level of the SPD for a ZnO varistor.

5.5.4 Information related to SPD failure modes

These modes are used to define the compatibility of the SPD with other equipment, with its application and with the devices used in conjunction with the SPD.

Failure mode of the SPD is dependent on the magnitude, number and waveshape of the surge current and voltage, short-circuit capacity of the power system and value of the voltage applied to the SPD at the time of the failure. This standard considers that there are two failure modes of an SPD:

- short-circuit or low impedance

- open-circuit or high impedance.

Sometimes SPDs may enter an indeterminate state for some period of time. This state involves energy absorption and eventually leads (itself or in conjunction with the disconnect or the overcurrent protection) to an open-circuit or short-circuit condition. For the purpose of this standard, it is assumed that this state is temporary and, as such, is not addressed.

See Annex J for further information on how the effect of the operation of an overcurrent or other protective device depends on the configuration of the system.

Changes in the characteristics of the SPD are not considered as a failure mode, but are addressed in 5.5.7.

5.5.5 Information related to short-circuit withstand

The SPD alone or in conjunction with its disconnect and/or overcurrent protection is required to withstand the short-circuit withstand current declared by the manufacturer. The SPD should pass the test without burning, charring or expulsion of molten material or by creating an opening in the enclosure. It is necessary to ensure that the SPD will not be used at a place where the prospective short-circuit current of the power supply I_p is greater than its short-circuit withstand. It is also necessary to ensure that an adequate disconnect and/or overcurrent protection as recommended by the manufacturer is present and working.

For an SPD which is not of the voltage limiting type, it is also necessary to check that its follow current interrupting rating I_{fi} is higher than the prospective short-circuit current at the point of the installation I_p .

5.5.6 Information related to load current I_L and to voltage drop (for two-port SPDs or one-port SPDs with separate input and output terminals)

For a two-port SPD or a one-port SPD connected in line with the supply, it is necessary to ensure that the equipment load current does not exceed its rated load current I_L .

NOTE It is also necessary to consider the type of load. For example some loads may have in-rush currents which can be as high as three times the r.m.s. value. These peak currents can produce additional heating within series elements of two-port SPDs.

It is also necessary to check that the installation of a two-port SPD, or one-port SPD with separate input and output terminals, does not result in an unacceptable voltage drop at the equipment located downstream. This is characterized by the voltage drop ΔU .

5.5.7 Information related to change of characteristics of SPDs

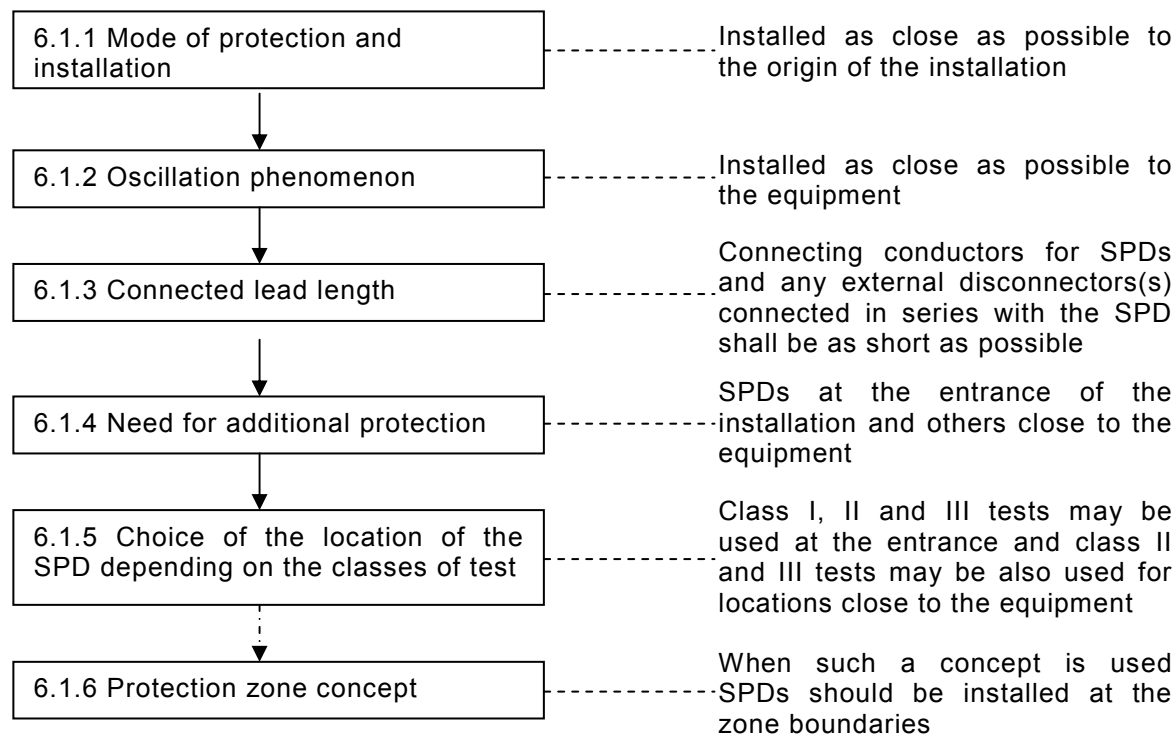
Certain SPDs may enter an intermediate state when subjected to higher stress than that defined in the standard tests. In this case some of their characteristics may change from the designed values, for example: U_p , I_n , I_c , etc. In particular, this may occur for SPDs having active parts in parallel where one of these active parts may be disconnected after a surge. In these instances the user may not be aware of these changes in characteristics. Any such intermediate state should be avoided in the design of an SPD, unless there is a clear indication of the state when it occurs.

6 Application of SPDs in low-voltage power distribution systems

6.1 Installation and its effect on the protection given by SPDs

When a risk analysis is performed (see Clause 7), the stresses in the system (Clause 4) and the characteristics of the SPD (Clause 5) being identified can be specified.

In applying an SPD in a power-distribution system the flow chart shown in Figure 9 may be used.



IEC 343/02

Figure 9 – Flowchart for SPD application

Examples of practical installation of SPDs are given in Annex N

At the point of entry depending on the incoming stress, SPDs tested according to class I, class II or class III may be used. Consideration of the electrical stress involved in the surge is a key to choosing the right SPDs. In particular when a lightning protection system is present additional information can be found in the 62305 series. SPDs tested according to class II and class III tests are also suited for location close to the protected equipment.

6.1.1 Possible modes of protection and installation

When the equipment to be protected has a sufficient overvoltage withstand or is located close to the main distribution board, one SPD may be sufficient. In this case, the SPD should be installed as close as possible to the origin of the installation. The SPDs should have sufficient surge withstand capability for this location. Figures K.1 to K.5 show typical connections of SPDs located at the origin of the installation for different types of systems. Figure K.5 represents the particular case of a TN C-S system.

SPDs at or near the origin of the installation shall be connected at least between the following points:

- a) if there is a direct connection between the neutral conductor and PE at or near the origin of the installation or if there is no neutral conductor:
 - between each line conductor and either the main earthing terminal or the main protective conductor, whichever route is shorter;

NOTE 1 The impedance connecting the neutral to PE in IT systems is not considered as a connection.

b) if there is no direct connection between the neutral conductor and PE at or near the origin of the installation either:

between each line conductor and either the main earthing terminal or the main protective conductor, and between the neutral conductor and either the main earthing terminal or the protective conductor, whichever route is shorter - Connection type 1 (CT 1), see Figure 10 or

between each line conductor and the neutral conductor and between the neutral conductor and either the main earthing terminal or the protective conductor, whichever route is shorter - Connection type 2 (CT 2), see Figure 11.

NOTE 2 If a line conductor is earthed, it is considered to be equivalent to a neutral conductor for the application of this subclause.

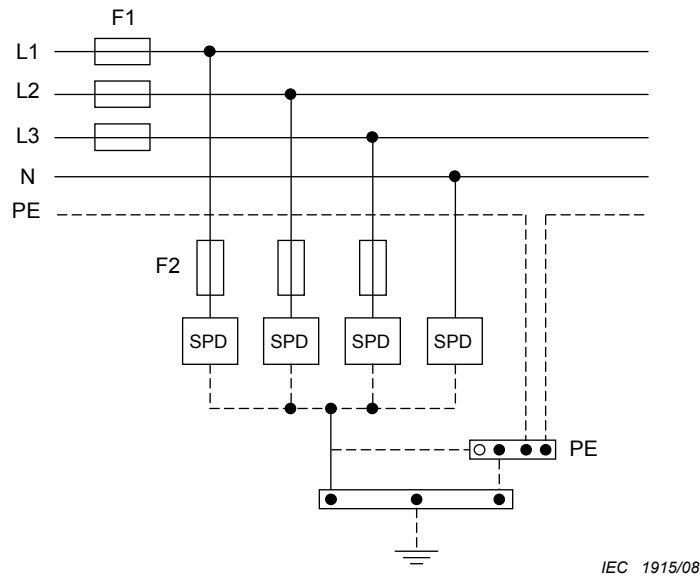


Figure 10 – Connection Type 1 (CT1)

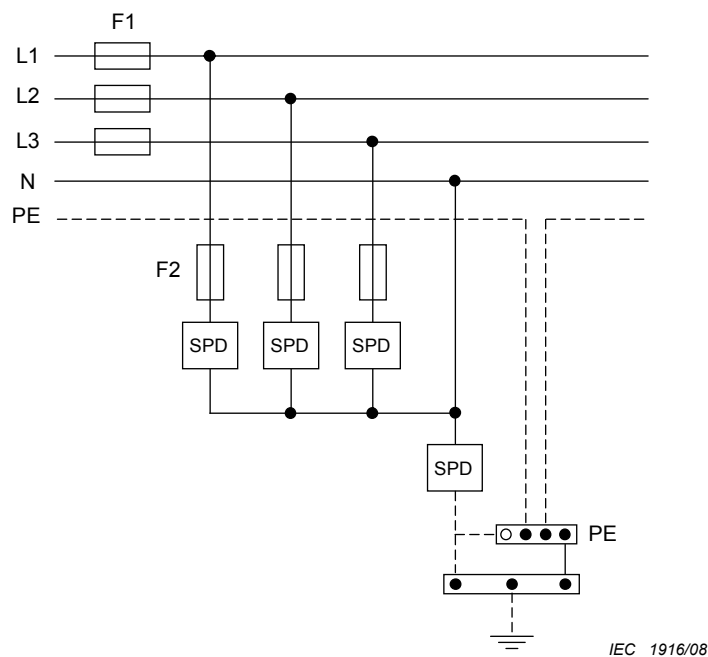


Figure 11 – Connection Type 2 (CT2)

Table 3 indicates the possible modes of protection that may be required for various LV systems.

NOTE 3 If more than one SPD is connected on the same conductor, it is necessary to ensure coordination between them.

NOTE 4 The number of modes of protection depends on the type of equipment to be protected (for example, if the equipment is not connected to earth, line- or neutral-to-earth protection may not be necessary), the withstand of the equipment according to each mode of protection, the electrical system structure and earthing and the characteristics of the incoming surge. For example, protection between phase/neutral and PE conductor or between phase and neutral are generally sufficient, and protection between phase and phase is not generally used.

NOTE 5 Installation of SPDs in front of the electricity supplier's meter should be carried out with the agreement of the electricity supplier.

Table 3 – Possible modes of protection for various LV systems

SPDs connected between:	System configuration at the installation point of SPD							
	TT		TN-C	TN-S		IT with distributed neutral		IT without distributed neutral
	Installation according to			Installation according to		Installation according to		
CT 1	CT 2	CT 1		CT 2	CT 1	CT 2		
Each line conductor and neutral conductor	+	•	NA	+	•	+	•	NA
Each line conductor and PE conductor	•	NA	NA	•	NA	•	NA	•
Neutral conductor and PE conductor	•	•	NA	• See Note 1	• See Note 1	•	•	NA
Each line conductor and PEN conductor	NA	NA	•	NA	NA	NA	NA	NA
Line conductors	+	+	+		+	+	+	+
• : required NA : not applicable + : optional, in addition to required SPDs CT : connection type								
NOTE 1 When distance between SPD location and PE – N bonding point is short (typically less than 10 m) this SPD may not be required								
NOTE 2 When CT2 is used the withstand voltage of equipment U_w should be compared to the protective level obtained as the result of two SPDs in series (L-N and N-PE). This may give a different result than the simple addition of the U_p of both SPDs.								

It is recommended that the power and signalling networks enter the structure to be protected close to each other and are bonded together at a common bonding bar. This is especially important for structures made of non-shielding material (wood, bricks, concrete, etc.).

For further information, see Annex K.

6.1.2 Influence of the oscillation phenomena on the protective distance (called separation distance in some countries)

When an SPD is used to protect specific equipment or when the SPD located at the main distribution board cannot provide enough protection for some equipment, SPDs should be installed as close as possible to the equipment to be protected. If the distance between the SPD and the equipment to be protected is too large, oscillations could lead to a voltage at the equipment terminals which is generally up to two times higher than U_p but, under some circumstances, can even exceed this level. This can cause a failure of the equipment to be

protected, in spite of the presence of the SPD (see Figures K.8 to K.10). Acceptable distance (called protective distance) depends on SPD type, type of system, steepness and waveform of the incoming surge and connected loads. In particular, this doubling is only possible if the equipment corresponds to a high impedance load or if the equipment is internally disconnected. Figure K.10 shows an example of a doubling of voltage in such conditions to illustrate the phenomenon.

In general, oscillations may be disregarded for distances less than 10 m.. Sometimes the equipment has internal protective components (for example, varistors), that will significantly reduce oscillations even at longer distances. Care is necessary in this last case to avoid coordination problems between the SPD and the protective component inside the equipment.

NOTE Protective distance may be reduced due to the voltage directly induced by the lightning current in the circuit loop existing between the SPD and equipment to be protected.

For further information, see Annex K.

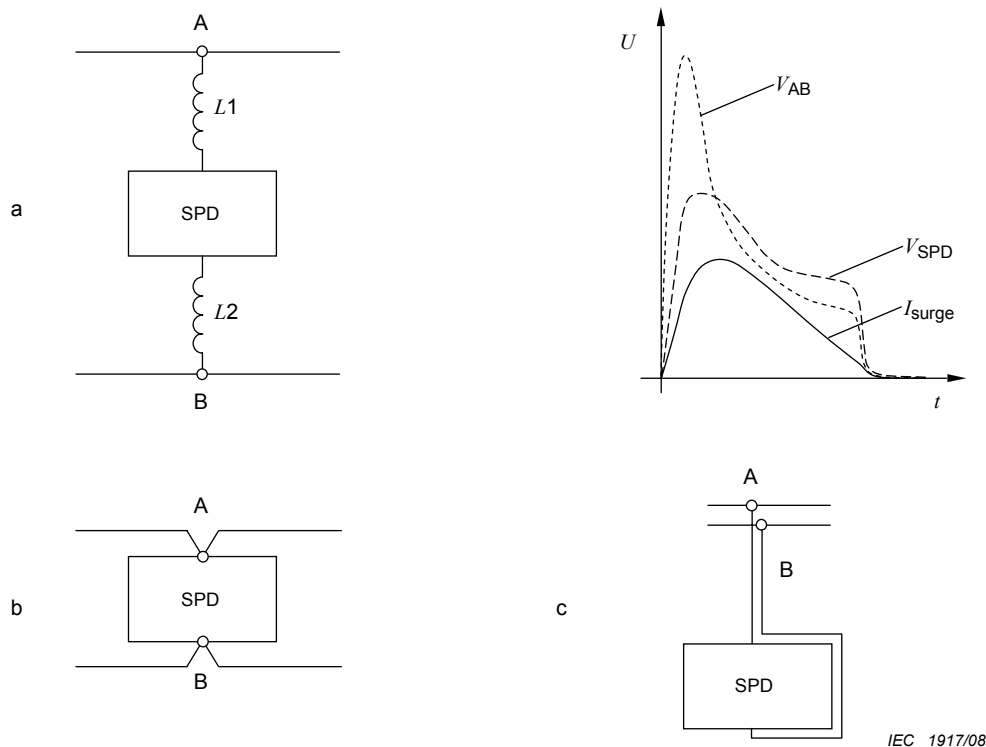
6.1.3 Influence of the connecting lead length

In order to achieve optimum overvoltage protection, connecting conductors of SPDs shall be as short as possible. Long lead lengths will degrade the protection offered by the SPD. Therefore, it may be necessary to select an SPD with a lower voltage protection level, in order to provide efficient protection. The residual voltage transferred to equipment will be the sum of the residual of the SPD and the inductive voltage drop along the connecting leads. The two voltages may not peak exactly at the same instant, but for most practical purposes, may simply be added. Figure 10 shows the effect of the inductance of connecting leads on the voltage measured between connection points of the SPD during the impulse discharge current.

As a general rule, the lead inductance is assumed to be 1 $\mu\text{H}/\text{m}$. This inductive voltage drop, when caused by an impulse with a rate of rise of 1 $\text{kA}/\mu\text{s}$ will be approximately 1 kV/m of lead length. Furthermore, if the steepness of dI/dt is greater, this value will be increased.

As far as possible, it is better to use scheme b) shown in Figure 12 where the effect of this inductance is considerably reduced. Scheme c) using twisted wires can be used when it is not possible to use scheme b). As far as possible scheme a) should be avoided. Because increasing the length of the connecting conductors of SPDs reduces the effectiveness of overvoltage protection, optimum overvoltage protection is achieved in scheme a) when all connecting conductors of SPDs are as short as possible (preferably not exceeding 0,5 m for the total lead length) and without any loops.

NOTE If the return current path is magnetically coupled to the incoming current conductors by placing the conductors in close proximity the inductance will be reduced (see Figure 12 c).

**Key**

- a) $L1, L2$ inductances corresponding to lead lengths $l1, l2$
 I_{surge} Waveshape of surge current versus time
 V_{SPD} Voltage at the SPD terminals during the surge
 V_{AB} Voltage between points A and B during the surge = V_{SPD} + voltage drop due to inductance $L1 + L2$
 THIS SCHEME IS TO BE AVOIDED WHEN POSSIBLE, ESPECIALLY WHEN EITHER $L1$ OR $L2$ IS LARGE
- b) THIS SCHEME IS TO BE PREFERRED
- c) THIS SCHEME IS ACCEPTABLE WHERE SCHEME b IS NOT POSSIBLE

Figure 12 – Influence of SPD connecting lead lengths

For further information, see Annex K.

6.1.4 Need for additional protection

In some conditions one SPD is sufficient, for example, if the stresses at the entrance to the structure are low. It is then better to install the SPD close to the mains entrance (see 6.1.1).

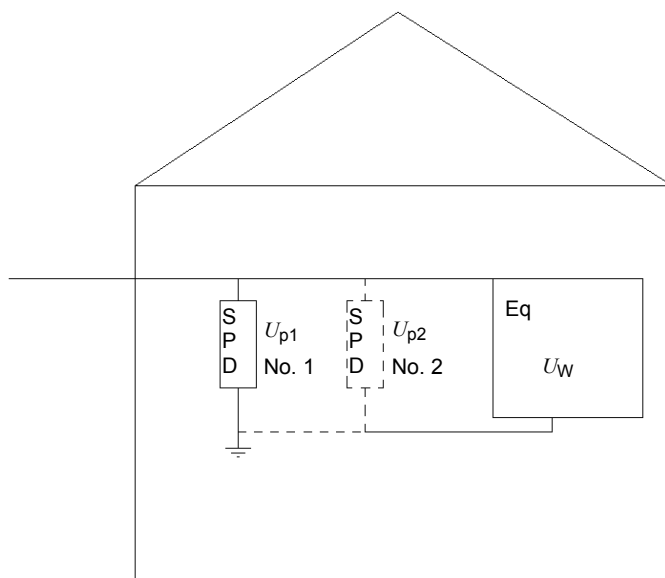
Additional protection close to the equipment to be protected may be necessary, for example where

- very sensitive equipment (electronic, computer) is present;
- the distance between the SPD located at the entrance and the equipment to be protected is too long (see 6.1.2);
- there are electromagnetic fields inside the structure created by lightning discharges and internal interference sources.

It is necessary to consider the voltage withstand (U_W , see IEC 60664-1) of the most sensitive equipment to be protected in the system or, in some cases where the continuous operation of the equipment is critical, the impulse immunity level of the equipment. In the example below where the equipment is not critical and U_W is only considered, the SPD located closest to this equipment shall be selected with a voltage protective level of $Up2$ at least 20 % below the

voltage withstand of this equipment. If the protective level (U_{p1}) of the entrance SPD combined with the effect described in 6.1.2, due to the distance between this SPD and the equipment leads to a voltage below $0,8 \times U_W$ at the terminals of the equipment, then no additional SPD is necessary close to the equipment (see Figure 13).

See K.1.2 and Figure K.9 for further information.



IEC 345/02

Key

If $U_{p1} \times k < 0,8 \times U_W$, only SPD No. 1 (installed at the entrance to the installation) is needed.

If $U_{p1} \times k > 0,8 \times U_W$, SPD No. 2 (with $U_{p2} < 0,8 U_W$) should be installed in addition to SPD No. 1.

Eq is the equipment to be protected having a withstand voltage U_W as defined by IEC 60664-1.

k is a coefficient ($1 < k < 2$, see 6.1.2) taking account of possible oscillations.

Figure 13 – Need for additional protection

NOTE The immunity of the equipment obtained from IEC 61000-4-5 may be different from the withstand voltage defined in IEC 60664-1 (U_W). The reason for this is that the test of IEC 61000-4-5 uses a combination wave generator, and a part of the surge current may flow through the equipment (especially if it has a low impedance). In this case, proper coordination is required (see 6.2.6). Additional information on comparison between immunity and insulation withstand is given in Annex M. It should be noted that in spite of IEC 60664-1 describing how to obtain U_w , it may difficult in practice to obtain U_w value for every type of equipment

Potentially damaging switching surges can be generated inside buildings. In this case, additional SPDs may be needed.

When two SPDs are used on the same circuit, they shall be co-ordinated.

6.1.5 Consideration regarding location of the SPD depending on the classes of test

At the point of entry depending on the incoming stress, SPDs tested according to class I, class II or class III may be used. Consideration of the electrical stress involved in the surge is a key to choosing the right SPDs. SPDs tested according to class II and class III tests are also suited for location close to the protected equipment.

6.1.6 Protection zone concept

For the purpose of designing and applying appropriate surge protection, it may be useful to consider a hierarchy of zones of protection as described in IEC 62305-4.

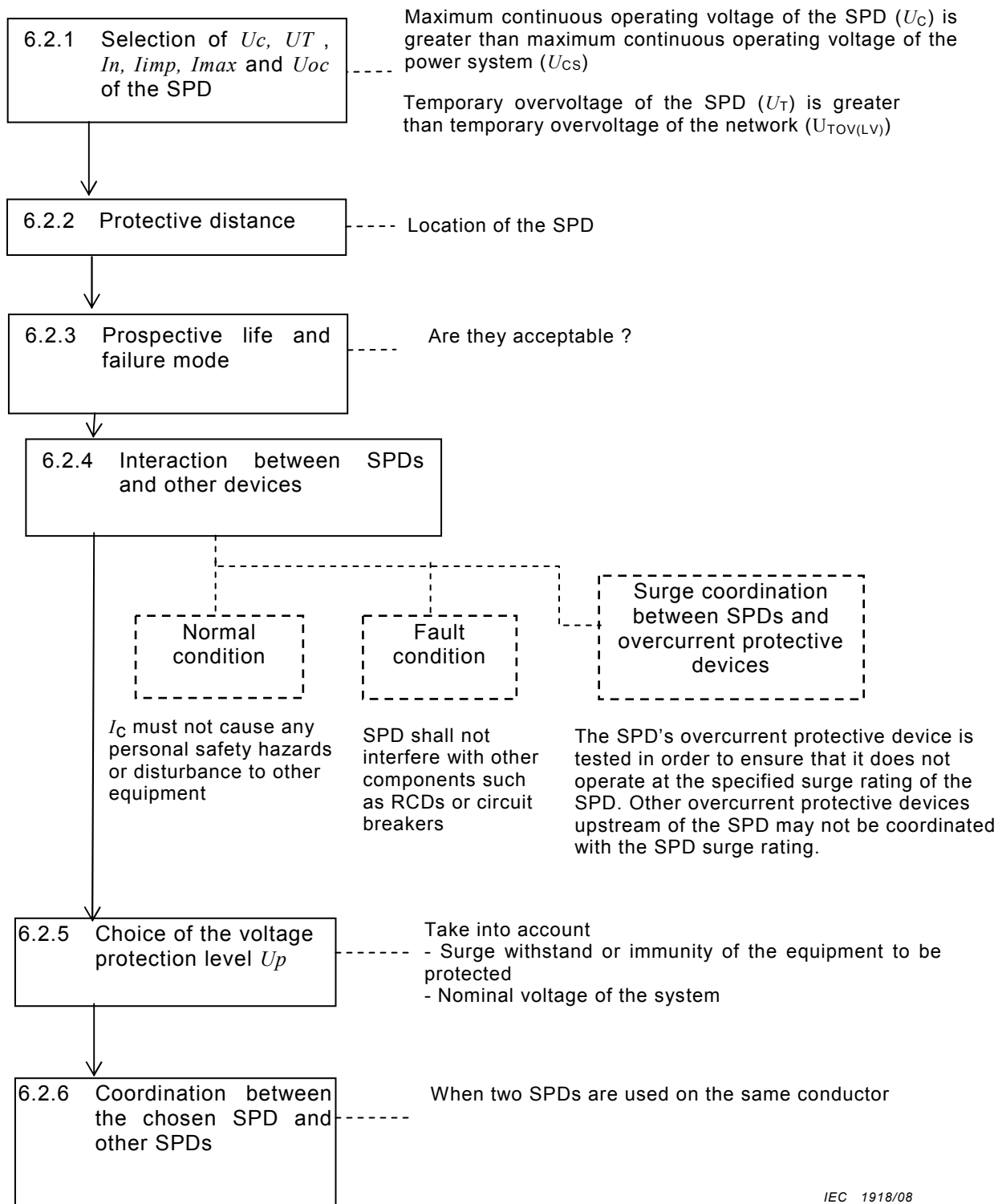
This planning concept assumes that the conducted threatening parameters caused by switching in the power distribution systems and direct/indirect lightning strokes, are reduced in steps (the distance between the steps should be in accordance with 6.1.2) from the unprotected environment to the protected sensitive equipment.

An example of the subdivision of the building power distribution system into protection zones and the allocation of SPDs is shown in Figure K.11.

www.intel.com

6.2 Selection of SPD

SPDs are selected according to the following scheme in six steps given in 6.2.1 through 6.2.6.



IEC 1918/08

Figure 14 – Flowchart for the selection of an SPD

6.2.1 Selection of U_C , U_T , I_n , I_{imp} , I_{max} and U_{OC} of the SPD

6.2.1.1 U_C maximum continuous operating voltage of the SPD

The U_C value of the SPD shall fulfil the following criteria.

U_C shall be higher than the maximum continuous operating voltage of the power system U_{CS} ($= k \times U_0$) (see Annex J and, for suggested values, Annex B).

$$U_C > U_{CS}$$

NOTE 1 In addition to the IT system U_C should be high enough to cover first fault conditions. This is covered by the values given in Table 4.

In practice it leads to the following requirements (see IEC 60364-5-53):

Table 4 – Minimum recommended U_C of the SPD for various power systems

SPDs connected between:	System configuration of distribution network				
	TT	TN-C	TN-S	IT with distributed neutral	IT without distributed neutral
Each line conductor and neutral conductor	$1,1 U_0$	NA	$1,1 U_0$	$1,1 U_0$	NA
Each line conductor and PE conductor	$1,1 \times U_0$	NA	$1,1 U_0$	$\sqrt{3} \times U_0$ (see Note 3)	Line to line voltage (see Note 3)
Neutral conductor and PE conductor	U_0 (see Note 3)	NA	U_0 (see Note 3)	U_0 (see Note 3)	NA
Each line conductor and PEN conductor	NA	$1,1 U_0$	NA	NA	NA

NA : not applicable

NOTE 2 U_0 is the line to neutral voltage of the low voltage system.

NOTE 3 These values are related to worst case fault conditions, therefore the tolerance of 10 % is not taken into account.

NOTE 4 In extended IT systems, higher values of U_C may be necessary.

6.2.1.2 U_T Temporary overvoltage rating of the SPD

U_T values shall be higher than the temporary overvoltage (TOV) that is expected to occur in the installation due to faults in the low-voltage system, as illustrated in Figure 15.

$$U_T > U_{TOV(LV)}$$

NOTE 1 A $U_{TOV(LV)}$ with a duration greater than 5 s may be considered as a maximum continuous operating voltage (U_C). In an IT system, for example, the U_C value of an SPD connected between phase and earth is at least equal to the maximum phase-to-phase system voltage ($U_0 \times \sqrt{3}$) due to earth faults which may occur for a very long duration (several hours).

Table 5 – Typical TOV test values

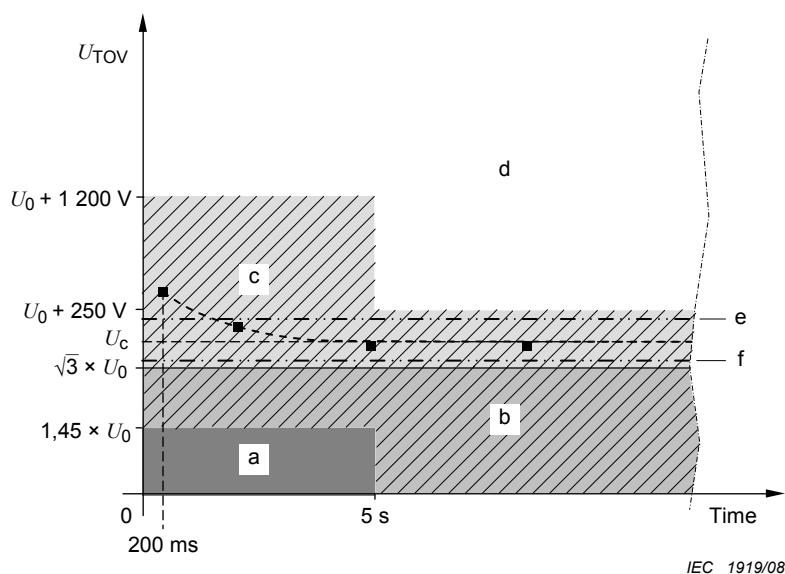
Application	TOV test values U_T	
	for 5s	for 200ms
SPDs connected to:		
TN-systems		
Connected L- (PE)N or L-N	$1,32 \times U_{cs}$	
Connected N-PE		
Connected L-L		
TT-systems		
Connected L-PE	$1,55 \times U_{cs}$	$1200 + U_{cs}$
Connected L-N	$1,32 \times U_{cs}$	
Connected N-PE		1200
Connected L-L		
IT-systems		
Connected L-PE		$1200 + U_{cs}$
Connected L-N	$1,32 \times U_{cs}$	
Connected N-PE		1200
Connected L-L		
TN, TT and IT-systems		
Connected L-PE	$1,55 \times U_{cs}$	$1200 + U_{cs}$
Connected L-(PE) N	$1,32 \times U_{cs}$	
Connected N-PE		1200
Connected L-L		

NOTE 2 This table satisfies the requirements given in IEC 60364-5-53. For this purpose $U_{cs} = 1,1 \times U_o$.

NOTE 3 The different power networks and earthing practices not complying with IEC installations rules may require different values to those given in the table above.

In some cases where the TOVs have too high a magnitude, it may be difficult to find an SPD which is able to provide equipment with acceptable surge protection. If the probability of occurrence is low enough, it can be decided to use an SPD which cannot withstand the TOV stress. In this case, suitable disconnecting devices shall be used.

Copyright International Electrotechnical Commission
 Provided by IHS under license with IEC
 No reproduction or networking permitted without license from IHS



Key

- a Area of $U_{TOV(LV)}$ between phase and neutral for TT, TN and IT systems for a fault in the LV installation (short circuit)
- b Area of $U_{TOV(LV)}$ between phase and earth for IT (TT) system for a fault in the LV installation (accidental earthing) and area of $U_{TOV(LV)}$ between phase and neutral for TT and TN systems for a fault in the LV installation (loss of neutral)
- c Maximum value for $U_{TOV(HV)}$ at the consumer location between phase and earth for TT and IT systems in the case of a fault occurring in the HV system
- d Undefined area
- e $U_{TOV(LV)}$ required for an SPD used on a 3W+G (three wires + ground), single phase, 120/240 V systems
- f $U_{TOV(LV)}$ required for an SPD used on a 4W+G (four wires + ground), three phases, 120/208 V, 277/480 V, 347/600 V systems

NOTE e and f are used in North America

■ Values of U_T of the SPD

Figure 15 – U_T and U_{TOV}

NOTE 4 As shown on the drawing it is possible to choose an SPD with the following characteristics:

$$U_T = U_c \geq U_{TOV(LV) \max}$$

This is the case for IT systems, in particular.

When selecting an SPD with the desired protective level, consideration shall be given to the required behaviour (withstand characteristic or failure mode) depending on the expected TOVs.

If the probability of occurrence is low enough, it can be decided to use an SPD which cannot withstand the TOV stress but which fails in an acceptable manner according to IEC 61643-1 in order to reach the desired protective level.

If the failure mode is not acceptable additional measures have to be taken to limit the TOVs before application of SPDs with acceptable protective level.

6.2.1.3 I_n , I_{max} , I_{imp}

I_n is related to the protective level U_p where I_{max} , I_{imp} is necessary for selection of the appropriate energy withstand.

The choice of the SPD energy withstand (choice of either I_{imp} , I_{max} or U_{0C} depending on the class of test) shall be based on a risk analysis (see Clause 7) which compares the probability of occurrence of surges, the price of the equipment to be protected and the acceptable failure rate, completed with a coordination analysis when more than one SPD is involved.

NOTE 1 Higher values than the preferred values of 5.5.2.1 and 5.5.2.2 may be used if necessary.

If protection against surges of atmospheric origin requires SPDs, the nominal discharge current I_n at the origin of the installation shall not be less than 5 kA 8/20 for each required mode of protection.

For installation according to connection type 2 (see Figure 11) the nominal discharge current I_n at the origin of the installation for the surge protective device connected between neutral conductor and PE shall not be less than 20 kA 8/20 for three phase systems and 10 kA 8/20 for single phase systems.

If presence of a lightning protection system with the possibility of direct lightning strike requires SPDs, the lightning impulse current I_{imp} shall be evaluated (see Annex I). For such evaluation the component (fuses, cross section of wiring, etc.) installed upstream of the SPD should be taken into account as these may limit the maximum surge capability of the whole system and therefore the maximum stress to the SPD. If no such evaluation is possible, the value of I_{imp} shall not be less than 12,5 kA for each required mode of protection.

For installation according to connection type 2 the lightning impulse current I_{imp} for the surge protective device connected between neutral conductor and PE shall be calculated similar to IEC 62305-4. If the current value cannot be established the value of I_{imp} shall not be less than 50 kA for three phase systems and 25 kA for single phase systems.

NOTE 2 Additional information is given in IEC 62305-1 Annex E.

When a single SPD is used for protection against surges of atmospheric origin and for protection against direct lightning effect both, the rating of I_n and of I_{imp} shall be in agreement with the above values.

Selection of I_n and I_{max} for additional SPDs is made based on coordination rules described in 6.2.6

NOTE 3 I_{max} is used for special cases only as in general I_n is sufficient to characterize an Class II tested SPD. I_{max} gives an indication of the energy withstand and consequently gives an indication of life expectancy in a specific location.

6.2.2 Protective distance

To determine the location of the SPD (at the entrance, close to the equipment, etc.), it is necessary to know the protective distance, i.e. the acceptable distance between the SPD and the equipment to be protected where the SPDs provide sufficient protection.

This distance is dependent on the SPD characteristics (U_p , etc.), its installation in the structure (lead length, etc.), on the system characteristics (type and length of conductors, etc.) and on the characteristics of the equipment (overvoltage withstand, immunity etc.). For more explanations, refer to 6.1.2 and 6.1.3 where the phenomena involved are discussed.

NOTE The planner of the protection zones should be aware of the protective distance of SPDs to the equipment to be protected (see 6.1.6).

6.2.3 Prospective life and failure mode

6.2.3.1 Prospective versus real life

The prospective life on a SPD depends mainly on the probability of occurrence of surges exceeding the maximum discharge capability of the SPD.

The real life of an SPD may be long or short depending on the actual frequency of occurrence.

For example, if a few seconds after the installation of an SPD with a given maximum discharge current I_{\max} determined by a suitable risk analysis, an exceptional surge current occurs which exceeds this I_{\max} value, the SPD is likely to fail. Its real life time will then be very short in this case. This extreme case shows that any prospective life given by a manufacturer is only a statistical value which can never be a guarantee of the actual life time.

It is only possible to consider prospective life times. When an exceptional surge current occurs any SPD having an I_{\max} far lower than this surge current will be destroyed even if this event takes place a few seconds after installation. In such a case it is irrelevant if I_{\max} is ten times lower or only two times lower than this exceptional surge current. However, for a given application, the expected life time of an SPD with a specified high I_{\max} is always longer than that of a similar SPD with a lower I_{\max} , as long as the limits of the SPD withstand are not exceeded.

To summarize, it is necessary to choose an SPD which

- takes into account U_{TOV} , expected surges and necessary coordination with any other SPDs;
- does not cause a hazard such as fire or electrical shock when it fails.

6.2.3.2 Failure modes

The failure mode itself is dependent on the type of surges and overvoltages. Coordination between the SPD and any upstream back-up protection is necessary if one wants to avoid power-supply disturbance or interruption.

6.2.4 Interaction between SPDs and other devices

See also IEC 60364 series for information on this topic.

6.2.4.1 Normal conditions

The continuous operating current (I_C) shall not cause any personnel safety hazards (indirect contact, etc.) or disturbance to other equipment (for example, RCD).

NOTE 1 I_C should be less than one-third of the rated residual current ($I_{\Delta n}/3$) in the case of RCDs. Cumulative effects of various SPDs and other devices should be taken into account.

NOTE 2 If the SPD is located on the load side of an RCD, fuse or circuit breaker, it is not able to provide any protection for these devices, against nuisance tripping, unintended operation or damage due to surges.

6.2.4.2 Fault conditions

The SPD may be fitted with necessary disconnecting devices in order not to interfere with other protective devices such as RCD, fuse or circuit-breakers.

The short circuit current withstand of the SPDs (in case of SPD failure) together with the specified associated (internal or external) overcurrent protective device shall be equal to or higher than the maximum short circuit current expected at the point of installation, taking into account the maximum overcurrent protective devices specified by the SPD manufacturer.

In addition, when a follow current interrupting rating is declared by the manufacturer, it shall be equal to or higher than the expected short circuit current at the point of installation.

SPDs connected between the neutral conductor and PE in TT- or TN-systems, which allow a power frequency follow up current after operation (e.g. spark gaps), shall have a follow current interrupting rating greater or equal to $I_{fi} \geq 100$ A.

In IT-systems the follow current interrupting rating for SPDs connected between the neutral conductor and PE shall be the same as for SPDs connected between phase and neutral

6.2.4.3 Surge coordination between SPDs and RCDs or overcurrent protective devices such as fuses or circuit-breakers

A defined withstand capability of overcurrent protective devices and residual current devices (RCDs) used in networks is not specified except for type S RCDs which, according to their own standards (IEC 61008-1 and IEC 61009-1), shall be able to withstand 3 kA 8/20 without tripping.

When co-ordinating SPDs with an overcurrent protective device or RCD, it is recommended that, at the nominal discharge current I_n , this overcurrent protective device or RCD shall not operate.

However, at current higher than I_n , it is normally acceptable for the overcurrent protective device to operate. In the case of a resettable overcurrent protective device, such as a circuit-breaker, it should not be damaged by the surge.

In this case, due to the response time of such overcurrent protective devices, the complete surge will flow through the SPD even when the overcurrent protective device operates. Thus, the SPD shall have a sufficient energy withstand. Operation of the RCD or of the overcurrent protective device due to this phenomenon should not be considered a failure of the SPD since the installation is still protected. Special configurations or overcurrent protective devices should be used if a power supply interruption is not acceptable to the user.

NOTE 1 In situations with high current exposure, such as lightning protection systems or overhead lines, operation of the overcurrent protective device is acceptable below I_n , if I_n is above the actual withstand of the overcurrent protective device used in the installation. In this case, the choice of the nominal discharge current of the SPD is based only on surge capability.

NOTE 2 If sparkover of a voltage switching type SPD occurs, the quality of the electrical supply service may be reduced. In general, a power follow current causes the operation of an overcurrent protective device unless the voltage switching type SPD is self-extinguishing. Coordination with the overcurrent protective devices upstream of the SPD is then needed.

NOTE 3 For protection against indirect contact, IEC 60364-5-53 applies.

6.2.5 Choice of the voltage protection level U_p

The surge withstand of the equipment (or impulse immunity of critical equipment) to be protected and the nominal voltage of the system shall be considered in choosing the preferred voltage protection level value of the SPD. The lower the value the better the protection. This is limited by consideration of U_C and U_T , degradation of the SPD and coordination with other SPDs. See also 6.1.2 and 6.1.3.

The voltage protection level for voltage limiting SPDs is related to a specified value of I_n and I_{peak} for class I tests and I_n for class II tests. The selection of the voltage protection level for class III tests is defined by the combination wave test (U_{oc}).

For voltage-switching SPDs or combination type SPDs the voltage protection level is also related to the sparkover voltage.

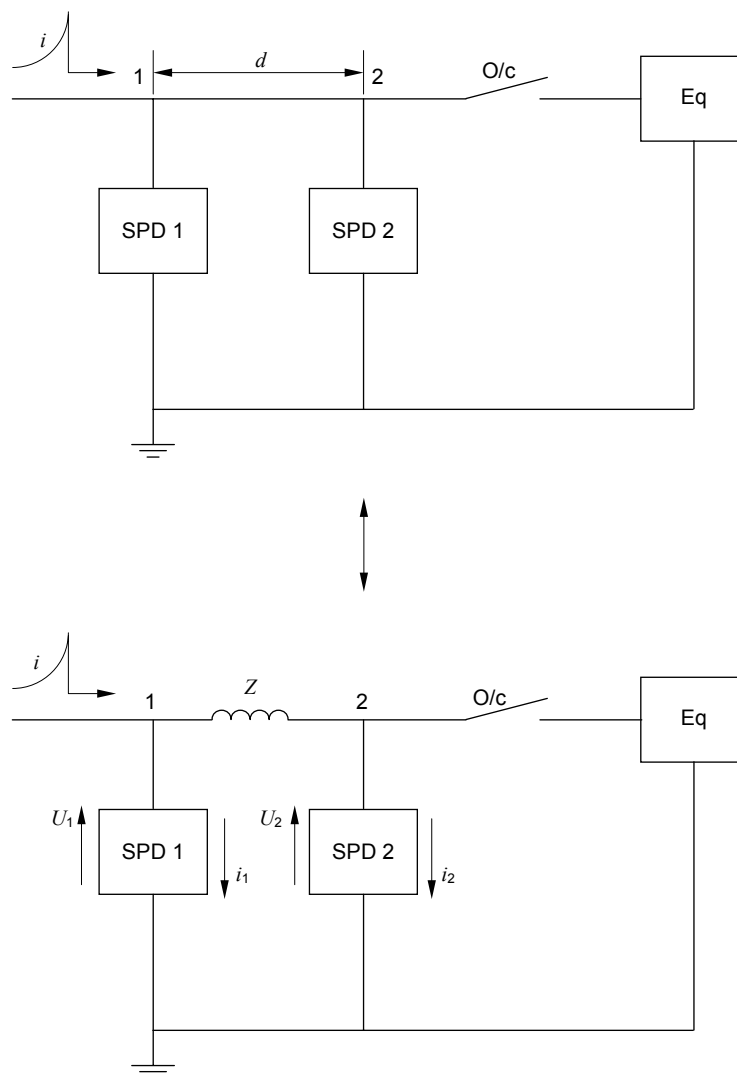
6.2.6 Coordination between the chosen SPD and other SPDs

6.2.6.1 General

As already discussed, some applications may require the use of two (or more) SPDs in order to reduce the electrical stress on the equipment to be protected to an acceptable value (lower voltage protection level) and to reduce the transient current inside the structure.

To obtain an acceptable sharing of the stress between the two SPDs according to their energy withstand, coordination is needed.

An example is shown in Figure 16.



IEC 1920/08

Key

Eq Equipment to be protected in normal operation

O/c Open circuit (equipment disconnected from supply)

i Incoming surge

Figure 16 – Typical use of two SPDs – Electrical drawing

The impedance Z between the two SPDs (in general an inductance) may be a physical one (a specific component inserted in the line to facilitate the sharing of the energy between the two SPDs) or represent the inductance of a length of cable between the two SPDs (in general we consider $1 \mu\text{H/m}$). When Z represents a physical impedance, the inductance of the line may be neglected due to its low value compared to Z . Z is then represented in a schematic way as in Figure 16 for both cases.

NOTE 1 Figure 14 shows the most severe case where the equipment is not connected. No part of the current is then flowing through this equipment and the total stress is taken by the two SPDs. Additional consideration should be given if the surge originates between the SPD terminals and the load.

NOTE 2 For this example the connecting leads are disregarded. In practice, they may have an influence on the sharing of the stress between the two SPDs.

NOTE 3 Where the forward and the return conductors are closely coupled, the loop is smaller and the specific inductance is lower than $1 \mu\text{H/m}$. It may then be as low as $0,5 \mu\text{H/m}$.

NOTE 4 The value of $1 \mu\text{H/m}$ already combines the inductance of the forward and return conductors.

6.2.6.2 Coordination problems

The coordination problem may be summarized in a first approach by the following question: in the case of an incoming surge i , which part of this current i will flow through SPD1 and which part through SPD2? In addition, are the two SPDs able to withstand these stresses?

If the distance between the two SPDs is short in relation to the duration of the surge, the inductance effect will be negligible and SPD2 might be overstressed.

Good coordination is achieved by selecting appropriate SPDs to reduce the value of i_2 to an acceptable level, taking into account the impedance between the two SPDs. This action will, of course, also reduce the residual voltage of the second SPD down to the desired value.

Such a coordination is required to avoid

- an overdesign of SPD2;
- some EMC perturbations which could cause trouble in the building if i_2 was too high.

However, to deal with the coordination in terms of currents is not sufficient. It is necessary to deal with coordination in terms of energy.

To be sure that two SPDs are well co-ordinated it is then necessary to fulfil the following requirement, called the energy criterion.

Energy coordination is achieved, if for all values of surge current between 0 and $I_{\text{max}1}$ ($I_{\text{peak}1}$) the portion of energy, dissipated through SPD2 is lower or equal to its maximum energy withstand ($E_{\text{max}2}$).

See further information in Annex K.

6.2.6.3 Practical cases

The coordination study may be complex. If all the SPDs have been provided by the same manufacturer, the easiest way is to ask the manufacturer for any requirements, in terms of distance or impedance between the selected SPDs, for proper coordination.

Otherwise, it is necessary to make a coordination study and four possibilities are offered.

- Perform some testing by impressing a surge current from zero up to a current corresponding to $E_{\text{max}1}$ both with long and short waveforms, keeping in mind that the

tolerance on components may have a significant influence on the result (tests are under consideration).

- Perform a simulation taking care of the particularities of the actual scheme of the installation keeping in mind that it is necessary to have accurate data on the SPDs characteristics.
- Perform an analytical study by comparing the curve U versus i of the two SPDs when they are of the voltage-limiting type.
- Use another method called let-through energy (LTE) which gives a conservative result in most of the cases.

Annexes F and K give more explanation about the phenomena, the analytical studies and the LTE method.

6.3 Characteristics of auxiliary devices

6.3.1 Disconnecting devices

A single disconnecter may be able to take care of the three basic disconnecter functions (thermal protection, short-circuit protection and protection against indirect contact) or it may be necessary to use up to three disconnecters.

They may be fitted inside the SPD itself or associated with it. Some functions may be taken into account by the back-up protection of the system and then may be located at a certain distance from the SPD. Whether the disconnecters are put in the SPD circuit or in line with the mains, depends on coordination with overcurrent protective devices and on the balance of the need for continuity of power supply compared to continuity of protection (see J.2).

Some other disconnecter functions may be needed, for example, in the case of very high temporary overvoltage.

A disconnecter may be a fuse, a circuit-breaker, an RCD or a device dedicated to this application.

6.3.2 Event counters

This type of device usually gives information on the number of surges detected and sometimes their magnitudes and waveshapes. Event counters may be used to determine the severity of the site or to decide on a replacement policy. Some sophisticated ones give statistical data such as frequency of occurrence, time and date, energy involved, etc.

NOTE 1 Users should be aware that if the threshold level is too low there is a risk that the information given by such a device may be misleading.

NOTE 2 At the present time no IEC standard exists to cover such devices.

6.3.3 Status indicator

This device is linked to a disconnecter to provide the user with the information about the SPD to show that it is either operational or no longer functioning according to design. It can be used to give a warning to replace the SPD. Some status indicators are local and some of them are remote. They may provide electrical, visual or audible alarms.

7 Risk analysis

Two types of risk analyses may be performed: the basic analysis is used to determine if there is a need to use an SPD. The second type is to determine the energy withstand of the SPD located at the entrance or close to the equipment (the energy withstand of the other SPDs if any is given by the study of coordination between the SPDs) (see Annex L).

The decision as to whether or not to use SPDs is dependent upon a wide range of parameters which shall be weighted by the user. The parameters that should be considered are listed in Annex L. If it is decided to use SPDs, a decision should then be made on the level of exposure to determine the classification and location of the SPDs to be specified.

A method for the assessment of risk in the case of lightning surges is described in IEC 62305-2. In some situations, simplified methods, based on IEC 62305-2, for example the one described in IEC 60364-4-44, may be used, see Annex H.

NOTE When a complete structure analysis is necessary especially taking care not only of incoming lines but also of the structure itself and its content it is recommended to use 62305-2.

Annex A (informative)

Typical information given with inquiries and tenders and explanation of testing procedures

A.1 Information given with inquiries

A.1.1 System data

- U_0 , U_{CS}
- frequency
- temporary overvoltage U_{TOV}
- insulation level of equipment (or impulse immunity of critical equipment) to be protected

NOTE The user should be aware that the insulation withstand strength may vary with the steepness and duration of overvoltage. For example, devices which withstand 4 kV 1,2/50 may only withstand 1 kV with a longer wave.

- short-circuit current of the system at the SPD location
- type of distribution system (IT, TT, TN, etc.)

A.1.2 SPD application considerations

a) Connection

- phase to earth
- neutral to earth
- phase to neutral
- phase to phase

b) Type of equipment being protected

- transformers
- electrical machines
- devices including electronics
- other equipment
- cables (type and length), etc.

c) Maximum length of conductor between SPD and equipment to be protected (protective distance)

NOTE This distance should be as short as possible.

d) Maximum length (lead length) of conductors from the SPD terminals considering both connection between SPD and all conductors (phase, neutral, earth)

A.1.3 Characteristics of SPD

- maximum continuous operating voltage U_C ,
- voltage protection level U_p
- testing characteristics: class I, II or III
- short-circuit current withstand in case of SPD failure
- environment of SPD installation (outdoor, indoor, etc.)
- number of ports
- degree of protection provided by enclosure (IP code)

- nominal discharge current I_n (tests class I and II)
- maximum continuous load current (if required)
- I_{imp} , I_{max} or U_{oc} (tests class I, II and III respectively)
- TOV characteristic
- failure mode

and in addition for two-port SPDs:

- maximum continuous load current (if required) I_L
- voltage drop in per cent

A.1.4 Additional equipment and fittings

- type of mounting
- mounting orientation
- SPD disconnecter if required
- cross-section of connection lead

A.1.5 Any special abnormal conditions

For example: very frequent operation.

A.2 Information given with tender

All points from A.1.4 and A.1.5.

In addition, depending on the technology:

- TOV characteristic
- residual voltage versus current
- possibilities for mounting, drilling plans, insulating base, bracket
- type of SPD terminals and permissible conductor size
- dimensions and weights

A.3 Explanation of testing procedures used in IEC 61643-1

A.3.1 Determination of U_{res} for SPDs tested according to class I and class II tests

The residual voltage is measured at 0,1, 0,2, 0,5, 1,0 times I_n in both polarities using an 8/20 wave generator. Finally, at least one impulse at I_{max} or I_{peak} (providing I_{max} or I_{peak} is greater than I_n) is applied to the SPD at the polarity that showed higher residual voltages in the previous test.

The first sequence is made in one polarity and the second sequence in the opposite polarity in order to check whether there is any deterioration of the SPD.

The waveshape is always 8/20 whether it is a class I test or a class II test because it is used as a comparative value. It is used to select an SPD when comparing its protective characteristics to the impulse withstand voltage of the equipment to be protected. The typical waveshape for class I tests is I_{imp} defined by I_{peak} and Q , but this waveshape is not so different from an 8/20 waveshape in terms of rate of rise of current. Therefore, the 8/20 waveshape is used to obtain a common basis for comparison of SPD protective characteristics.

Several values are used between $0,1 \times I_n$ to I_n , because it is necessary to find any blind spot which may occur (a blind spot being the case where a lower value of current gives a higher residual voltage). It is important to note that the residual voltage at I_n is a conventional value which may not be the highest value (for example, if the SPD has a blind spot).

The value of U_p printed on the nameplate is not sufficient for making the insulation coordination and coordination between SPDs. A curve or table of the residual voltages has to be provided by the manufacturer in his technical documentation.

Enough measurements (at least one) are made between I_n and I_{max} or I_{peak} in order to get a residual voltage curve up to I_{max} or I_{peak} with sufficient points.

A.3.2 Impulse waveshape for assessment of U_{res}

The 8/20 waveshape used for testing one-port SPDs has a permissible current overshoot of 5 %. Such overshoot will have no effect on the U_{res} produced by one-port SPDs.

In the case of two-port SPDs, it is usual to have some series impedance, such as an inductor, for decoupling. Additionally, a shunt capacitor may be fitted at the equipment side of the inductor to produce a low pass filter effect. In such cases, an impulse wave with overshoot will significantly alter U_{res} , according to the magnitude of overshoot. It is for this reason that the permissible overshoot in the testing of two-port SPDs is restricted to 5 %.

A.3.3 Influence of a back filter on determination of U_{res}

When a back filter is used with two-port devices, an interaction can occur which distorts the observed U_{res} and can produce a misleading result.

A two-port device in the form of a low pass filter will produce peak U_{res} at a time after the end of the applied impulse. In the same way, a back filter will react and return stored energy at the end of the impulse. The resultant waveshape and voltage at peak magnitude depend on the parameters of both the back filter and the device under test.

In order to determine the worst-case value of U_{res} , the test impulse should be applied at the maximum value of the a.c. supply, and should have the same polarity. At this point in time, all components within the device under test are at U_{max} . The value U_{res} will then be the sum of U_{max} and the incremental voltage due to the applied impulse. This value can be determined by applying a d.c. voltage via a steering diode which is equal to U_{max} . The test impulse is applied between the diode and the two-port device. Depending on the two-port device design, it may be necessary to provide an alternative a.c. source to power internal operating or diagnostic electronics.

NOTE The test is not suitable for SPDs which include an isolation transformer.

A.3.4 Operating duty test for SPDs

The test sequence consists of a preconditioning test and an operating duty test. The preconditioning is performed in order to ensure that there are no unacceptable changes of the characteristic of the device due to impulse stress. The operating duty test is performed in order to ensure the thermal stability of the device under service conditions.

For class I and II tests, the severity of the test depends on the magnitude of I_{imp} (respectively I_{max}) and the ratio between I_n and I_{imp} (respectively I_{max}). At a given I_{imp} (respectively I_{max}), the higher this ratio, the greater the severity. For class III test the severity is directly related to U_{OC} .

The preconditioning test is conducted using 15 impulses 8/20 at the nominal discharge current to simulate expected minimum stresses during the lifetime of the SPD.

The preconditioning test for class III test is the same as class I and class II tests except the nominal discharge current is replaced by U_{oc} as declared by the manufacturer and a combination wave generator is used. The preconditioning is carried out with U_C applied. The synchronisation between each impulse and the 50/60 Hz is advanced 30° after each impulse. The first impulse commences at zero degrees. The reason is that some SPDs, such as spark gaps, are sensitive to this angle, especially with respect to power follow current. For class III test appropriate coupling is necessary depending on the generator construction and the U_C to be applied, to avoid a flow of power frequency current into the generator.

The 15 impulses are applied in 3 groups of 5 impulses. There is enough time between each group (30 min) to allow cooling down of the sample.

After this preconditioning, an additional impulse is applied at each of the following current levels $0,1 I_{imp}$ (respectively I_{max}), $0,25 I_{imp}$ (respectively I_{max}), $0,5 I_{imp}$ (respectively I_{max}), $0,75 I_{imp}$ (respectively I_{max}) and I_{imp} (respectively I_{max}) in order to find a possible blind spot. There is a thermal cooling between each impulse. A blind spot corresponds to a value of current lower than I_{imp} (respectively I_{max}) which can cause failure of the SPD whereas the SPD is functioning correctly at I_{imp} (respectively I_{max}). A typical example is one of a ZnO varistor in parallel with a spark gap. If the gap does not fire the total surge is applied to the varistor. This varistor may not be able to withstand the same stress as the gap and may fail.

The operating duty test for class III test uses a combination wave generator with the voltage at U_{oc} .

A.3.5 TOV failure test

This is an optional test, performed only if the manufacturer claims compliance to this test. This test is designed to provide information on the failure mode of the SPD when a TOV due to fault in HV system occurs. This test only applies to SPDs intended to be used on TT or IT systems and does not apply to SPDs connected only between phase and neutral or between phases. The TOV conditions are described in Table 1.

NOTE Although this test is optional according to IEC 61643-1, applications rules given in IEC 60364-5-53 requires that this test need to be performed.

The SPD is enclosed in a cuboid wooden box. The test generator will deliver a TOV for a duration of 200 ms. The duration is limited to 200 ms to simulate the fault clearing time. The short-circuit current capability of the generator is set to 300 A to simulate short-circuit current based on typical situations. After the test, the SPD may be out of order but without causing hazards.

A.3.6 Differences in the testing conditions of Type 1 (test class I), 2 (test class II) and 3 (test class III) SPDs

The class I test is intended to simulate partial conducted lightning current impulses. SPDs subjected to class I test are generally recommended for locations of high surge current exposure in conjunction with lightning protection systems. These SPDs are used for equipotential bonding between the LPS and the power lines. The class I test impulse current is of a much longer duration than the class II or class III test duration.

Class II and class III tests simulate induced surges, far distance direct lightning conducted surges and switching surges. SPD tested according to class II or III are not designed for equipotential bonding with an LPS.

For class I and class II tests a specific current value is driven through the SPD. For class III tests the current flowing through the SPD will depend on the SPD characteristics.

Class III test is defined by an open circuit voltage of the generator U_{oc} . The short-circuit current of the generator (I_{sc}) is determined by U_{oc} and the 2Ω generator impedance. The

generator impedance simulates the impedance of the installation. Maximum current level for class III tests is 10kA as studies have shown that voltage insulation breakdown at the service entrance will limit the surges entering a facility. These SPD will be generally installed inside a facility. For class III tests, the current through the SPD could be less than the short circuit current I_{sc} during this test because the SPD may have a different characteristic than a short-circuit.

A.3.7 Short-circuit withstand capability test in conjunction with overcurrent protection (if any)

This test provides information on whether under failure condition of the SPD, the internal connections can handle the power short circuit current without causing a hazard including fire, explosion or electric shock .

The value of the short-circuit withstand current is given by the manufacturer.

The purpose of this test is to check the behaviour of internal connections of the SPD. To achieve this, protective components (MOV, GDT, gaps ...) are replaced by adequate dummies (e.g. copper blocks) of similar dimensions as the original components to ensure similar conditions as the original design provides. For SPDs having protective components connected in parallel, a number of short-circuit tests equal to the number of different parallel current paths shall be performed. Each different current path is tested with its protective components short-circuited as above. This is done in order to simulate all possible failure conditions where a limited number of components may fail.

The power short-circuit current shall be interrupted within 5 s. 5 s is chosen to be representative of maximum fault isolation time.

Annex B (informative)

Examples of relationship between U_c and the nominal voltage used in some systems and example of relationship between U_p and U_c for ZnO varistor

B.1 Relationship between U_c and the nominal voltage of the system

Table B.1 – Relationship between U_c and nominal system voltage

Nominal voltage of the system according to IEC 60664-1		Examples of U_c based on values given in IEC 60364-5-53			
Three-phase, four-wire system, neutral earthed	Three-phase, three-wire or four-wire system, unearthed	U_c min. for SPD installed between phase and PE or PEN in the case of TN systems ^a or between phase and neutral in the case of TT systems ^a	U_c min. for SPD installed between phase and earth or neutral and earth in the case of TT systems ^a	U_c min. for SPD installed between phase and earth or neutral and earth in case of IT systems	U_c min. for SPD installed between phase to phase in case of TT, TN or IT systems
TT and TN systems	IT system	Case where voltage regulation is equal to 10 %	Case where a value of $1,5 \times U_0$ has been used	Case where a value of $\sqrt{3} \times U_0$ has been used	Case where voltage regulation is equal to 10 %
V	V	V	V	V	V
120/208		132	180		229
127/220	220	140	191	220	242
	230, 240			240	264
	260, 277, 347			347	382
220/380, 230/400	380,400	253	345	400	440
240/415, 260/440	415	286	390	415	484
277/480	440, 480	305	416	480	528
^a Higher values may be needed under some conditions (for example, the loss of neutral in TT systems).					

B.2 Relationship between U_p and U_c for a ZnO varistor

The ratio of U_p/U_c is an interesting parameter to characterize an SPD. This ratio depends on the component used. Table B.2 below gives typical values of the ratio U_p/U_c for ZnO varistor components which vary as a function of the size of the component and of the applied current I_n .

Table B.2 – Relationship between U_p/U_c for ZnO varistors

I_n (8/20) kA	Diameter mm	U_p/U_c for ZnO
1	14	3,3
2,5	20	3,8
5	32	4,1
10	40	4,6
20	60	4,6

Both lower and higher ratios can be obtained from other technologies. Manufacturers may provide the ratio for their particular product.

NOTE Other parameters such as surge withstand also vary with technology.

Annex C (informative)

Environment – Surge voltages in LV systems

C.1 General

Surge overvoltages occur in low-voltage systems as the result of three types of event:

- natural phenomena such as lightning which can strike the power system directly or induce overvoltages by striking other objects nearby;
- intentional actions on the power system, such as load or capacitor switching in the transmission or distribution systems by the utility, or in the low-voltage system by end-user operations;
- unintentional events such as power system faults and their elimination, or coupling between different systems such as interactions between power systems and signal/communication systems.

The surge overvoltages considered in this standard are those exceeding twice the peak operating voltage (two per unit or 2 p.u.) and having a duration ranging from a fraction of a microsecond to a millisecond. Overvoltages of less than two per unit are not considered here, nor are transients of longer duration resulting from power equipment operation and failure modes. Because such low-amplitude and long-duration surges are generally not amenable to suppression by conventional surge protective devices, they require different protection techniques from those discussed in this standard.

This annex presents and summarizes important information on surge voltages in low-voltage systems from IEC/TR 62066 to facilitate the use of this standard.

C.2 Lightning overvoltages

Lightning is an unavoidable event, which affects low-voltage systems (power systems as well as signal/communication systems) through several mechanisms. The obvious interaction is a direct flash on the system, but other coupling mechanisms can also result in a system overvoltage. Three types of coupling mechanisms are discussed capable of producing overvoltages in low-voltage systems. While this discussion makes reference to "overvoltages", consideration of the current associated with the overvoltage, or the current initially causing the overvoltage is an important aspect of the subject. The three category types are as follows.

- a) Direct flashes to the power system, which can occur on the primary side of the MV/LV distribution transformer, on the LV distribution system (overhead as well as buried), and on the service drop to individual buildings.
- b) Indirect flashes: flashes to nearby objects, which can produce overvoltages in the LV distribution system by inductive coupling or by common-path coupling. While the overvoltages and surge currents resulting from such flashes might be less severe than those associated with a direct flash, their frequency of occurrence is much greater.
- c) Direct flashes to the lightning protection system or to extraneous parts of the end-user building (structural steel, non-electrical components such as water lines, heating and air conditioning ducts, elevator shafts, etc.). Such flashes have two kinds of effect: inductive coupling from the lightning currents carried by the extraneous parts, and injection of lightning current from the building into the LV system made unavoidable by the necessary provision of SPDs between the LV system conductors and local earth, or the so-called equipotential bonding of the installation. For a given flash, the severity of the overvoltage appearing at the end-user facility will reflect the characteristics of the coupling path such as distance and nature of the system between the point of flash and the end-user facility,

earthing practices and earth connection impedance, presence of SPDs along the path, and branching out of the distribution system.

C.2.1 Surges transferred from MV to the LV system

The overvoltage surges generated in the MV system by lightning are transferred to the LV distribution system in two different manners:

- by capacitive and inductive coupling through the MV/LV transformer;
- by earth coupling.

The transferred surge magnitude depends on many parameters such as:

- LV earthing system (TT, TN, IT);
- characteristics of the LV line and LV load;
- LV overvoltage protection devices;
- coupling conditions between MV and LV earthing;
- transformer design.

In case of direct lightning to the MV line, the surge arrester operation or an insulator spark-over diverts the surge current through the earthing system and can produce a resistive earth coupling between the MV and LV systems and an overvoltage is transferred to the LV system. Depending on the earthing impedance values, this earth coupling overvoltage can be much higher than the capacitive coupling through the transformer.

In a TN system, if the neutral is also earthed at the customer installation, smaller overvoltages will occur. It should also be noted that this kind of resistive coupling may be avoided by using a separate earthing system for the LV part of the transformer.

A typical value of the overvoltage transmitted by capacitive and inductive coupling to the secondary of the MV/LV transformer side is 2 % of the MV phase-to-earth voltage between phase and neutral conductors and 8 % between phase conductor and earth. These values are typical for a loaded LV circuit. When the LV side of the transformer is open, or very lightly loaded, the values can be significantly higher, depending on the LV system.

Induced lightning surges on the MV system produce much less surge current (usually less than 1 kA) than direct flashes, and the overvoltages are in practice transferred to the LV system only by capacitive coupling and do not exceed a few kilovolts. In such cases, the overvoltage induced directly in the LV system (at least in the part which is not far from the lightning impact point) is in general higher than the one transferred from the MV side. If an SPD operates or a sparkover occurs, the current will be small and accordingly the resistive coupling is negligible.

C.2.2 Overvoltages caused by direct flashes to LV distribution systems

The effective impedance of the lightning channel is high and, accordingly, the lightning current can practically be considered as an ideal current source. The produced overvoltages are therefore determined by the momentary effective impedance that is seen by the lightning current.

For a flash to a line, the voltages are in the first moments determined by the characteristic impedance (surge impedance) of the line. The current (I) is initially divided in two parts and the voltage surges (U) generated are:

$$U = Z \times I/2$$

where

U is the surge voltage;

Z is the surge impedance of the line;

I is the surge current.

If a moderate current of 10 kA and a surge impedance of 400 Ω are assumed, it is seen that the prospective voltage surge is 2 000 kV. On a low-voltage line, therefore, flashovers will usually occur between all line conductors and in most cases also to earth. After flashover, the effective impedance is reduced by an amount that depends on the earthing resistances involved. However, even for a rather low effective impedance as for instance 10 Ω , the voltage will be 100 kV on the line for the 10 kA lightning current assumed for the example.

In a combined overhead line/cable system, the overvoltages will be somewhat reduced due to the lower surge impedance of cables compared to overhead lines. The amount of reduction depends on the current duration and on the total capacitance to earth of the system. However, usually this reduction is not sufficient to avoid overvoltages exceeding normal insulation levels in low-voltage systems. Accordingly, direct flashes should also generally be expected to cause damage in such systems.

C.2.3 Induced overvoltages in LV distribution systems

Due to the electromagnetic field changes during a lightning flash, surges are induced in overhead lines of all kinds even at a considerable distance from the flash. As a crude approximation the prospective overvoltages (U) on the line can be estimated from this expression:

$$U = 30 \times k \times (h/d) \times I$$

where

I is the lightning current;

h is the height of the conductors above ground;

k is factor depending on the velocity of the return stroke in the lightning channel;

d is the distance from the flash.

The variation of the parameter k is small (1,0 to 1,3).

For a median lightning current of 30 kA and for a line with a height above ground equal to 5 m, the voltage will exceed 5 kV for flashes within a distance of 1 km. A current of 100 kA will produce a prospective voltage of 1,8 kV even at a distance of 10 km in such a case.

C.2.4 Overvoltages caused by flashes to a lightning protection systems or an area of close vicinity

When lightning strikes a structure, which is one of several supplied in parallel by a LV power system, the flow of lightning current into the earth divides among the various paths available. These include local earth (building earthing), as well as distant earth points through any and all metallic paths, primarily the power supply cable.

The injected surge current flows from the air terminal of the lightning protection system through the down-conductor to the earth-termination system. At that point, the lightning current divides into at least two components, one component flowing into the local earth of the building, and the other flowing through the power supply cable toward the distant earth (current may also follow other paths such as metallic pipes and other conductive services). These currents divide according to the inverse ratio of the impedances. In the initial phase of the impulse current, the current division is determined by the ratio of the inductances. In the tail, where the rate of change of current is low, the division is determined by the ratio of the resistances.

With several buildings electrically connected, the effective resistance decreases, which means that the portion of the lightning current that flows out of the struck building into the LV system will increase when more buildings are connected into the string.

Different practices on earthing the neutral are found in different countries, so that some differences can be expected in the way the lightning current will disperse among the available paths. System designers should take these differences into consideration.

The current dispersion among the available paths will produce overvoltages primarily between the conductors and local earth. Depending on the configuration of the LV installation and the presence or absence of SPDs, these overvoltages can be large or can be moderate. Results basically agree with the preceding statements and show the beneficial effect of improved neutral earthing at the service entrance and the significance of taking into consideration resistive, inductive, and mutual coupling effects.

It should be noted that the earth potential rise resulting from a direct flash to a building or structure normally exceeds the insulation level of the low-voltage installation and consequently produces flashovers and overvoltages that propagate to adjacent buildings (installations) connected to the same low-voltage distribution network, unless equipotential bonding SPDs are installed.

Consequently, even a building not struck by a lightning flash can be exposed to overvoltages due to propagation along the distribution network. Moreover, for a given flash density in the area, the presence of a tall building, although reducing the probability of direct flashes to smaller buildings in its vicinity, enhances the probability of conducted overvoltages.

Overvoltages between conductors and local earth stress the insulation of connected equipment, which usually has sufficient withstand levels according to IEC 60664-1 recommendations, while the working components of power equipment are stressed by overvoltages appearing between conductors. At first glance, it might be rationalized that the most threatening situation would be the overvoltages applied to the working components of the power equipment. However, overvoltages to earth can become a problem, not so much for the power equipment insulation, but as a result of shifts in reference potentials between the power system and the communications system that might be connected to the equipment.

C.3 Switching overvoltages

These stresses, in terms of current, voltage and duration, are usually lower than the lightning stresses. However, in some cases, particularly deep inside a structure or close to switching overvoltage sources, the switching stresses could be higher than those stresses caused by lightning. It is necessary to know the energy of these switching surges to allow the choice of the appropriate SPDs. The time duration of the switching surges, including transients due to faults and fuse operations, can be much longer than the lightning surge duration.

Generally, any switching operation, fault initiation, interruption, etc., in an electrical installation is followed by a transient phenomenon in which overvoltages can occur. The sudden change in the system can initiate damped oscillations with high frequencies (determined by the resonant frequencies of the network), until the system is again stabilized to its new steady state.

The magnitude of the switching overvoltages depends on many parameters, for instance the type of circuit, the kind of switching operation (closing, opening, restriking), the loads, the circuit-breaker or fuse.

The frequencies of the oscillations during switching operations are determined by the system characteristics, and from time to time resonance phenomena can occur. In such cases, very high overvoltages can be initiated. The probability of resonance with harmonics of the power frequency of the system is usually low. However, if the characteristic frequency of a switched part of a system is close to one or more resonant frequencies of the rest of the system, a state of transient resonance may occur.

C.3.1 General description

The typical shape of switching surges is determined by the response of the low-voltage installation. This results in most cases in a ringing wave. The frequency will normally be in the order of several hundred kilohertz per microsecond. The maximum rate of rise is usually in the order of some kilovolts per microsecond. The duration of the surges is distributed over a much wider time range. If switching overvoltages caused by operation of fuses are excluded, the typical duration (time to half-value) is from 1 μs to 50 μs . A statistical evaluation shows that both the amplitude and the probability of occurrence of surges with a longer duration (greater than 100 μs) is low.

C.3.2 Circuit-breaker and switch operations

Circuit-breakers and switches are widely used in every installation either for protecting electrical equipment by switching off in the case of overload or short circuit, or for controlling the operation of equipment by switching on and off. The rate of occurrence of switching operations depends on the field of application with higher rates in the industrial environment and relatively lower rates in the domestic range.

The switched currents in case of ohmic loads are in the range of the rated current of the equipment. However, for equipment with switched-mode power supplies, the switched currents are much higher than the rated current. For instance, in the case of a 100 W television set, the rated current is 0,4 A whereas the inrush current is approximately 20 A, which is 50 times higher.

Mechanical switchgear being released either manually or by an electromechanical operation produces an electric arc during each switching process. A high-frequency oscillation is generated by the sudden voltage change interacting with the inductances and capacitances in the environment of the switch. This oscillation is superimposed on the voltage between the line conductors and between a line conductor and earth, and the total voltage stresses the insulation of electrical equipment to exposed conductive parts and to other circuits. In contrast to transient overvoltages transmitted via the public distribution network into the customer's installation, the switching transients generated within the customer's installation by circuit breakers and switches affect the electrical equipment without significant attenuation, so the amplitude of these transients is relatively high.

C.3.2.1 Circuit-breaker and switch operations in the customer's premises

Usually higher amplitudes are generated by switching equipment off compared to switching on. During switching-off, the switching surge on the load side has a higher amplitude and energy than on the line side. However, this is mainly a problem with respect to the design of this kind of equipment, especially for its insulation. If other equipment is connected in parallel, it will also be stressed. The overvoltage on the line side is of greater importance for the whole system and for the equipment connected to it than for the load side.

C.3.2.2 Circuit-breaker and switch operations in the supply system (LV and HV)

Transient overvoltages stressing the electrical equipment can be observed in every supply system. In underground supply systems, nearly all transients are generated by electro-mechanical switchgear of similar sources.

In high-voltage and low-voltage installations, the switching of inductances such as transformers, impedance coils, contactor coils and relays installed in parallel with the supply source can cause switching overvoltages with amplitudes reaching several kilovolts. The same phenomenon exists where longitudinal inductances such as conductor loops and longitudinal impedance coils, or even the supply system itself is switched off, because of the self-inductance of the wiring.

On the supply side, switching overvoltages can also be caused by the operation of gating controls, by brush arcing of slip ring motors, by sudden load decrease of electrical machinery or transformers and by operational switching of capacitor units used for power-factor correction.

The frequency and energy of such overvoltages could in some rare cases be considerably higher than those of atmospheric origin as far as the effects on low-voltage installations are concerned.

Transient overvoltages due to switching in the low-voltage supply can reach amplitudes of several kilovolts, though it may be assumed that the maximum values are limited due to certain conditions when operating the low-voltage supply network. In those supply systems where overvoltage control by protective devices is installed, it can be expected that a maximum amplitude of 6 kV is generally not exceeded within the low-voltage customer's installation.

Another phenomenon comparable to switching overvoltages is the occurrence of short circuits and earth faults in the high-voltage supply. Earth faults can cause a line-to-earth overvoltage in the fault-free line conductors, in the range of the line-to-line voltage. Furthermore, in such cases transient overvoltages can also occur. Such transients are transmitted from the high-voltage to the low-voltage supply.

C.3.3 Fuse operations (current-limiting fuses)

Fuses are widely used in distribution systems and in electrical installations for protection against overcurrent and for interruption of short circuits. If a fuse operates, for example, in a distribution system to clear a short circuit, this operation creates an overvoltage which has an approximately triangular wave shape and is a phenomenon of relatively low frequency. The overvoltage occurs between the line conductors of the system, and also between line conductor and protective earth conductor, due to the earthed neutral conductor or, in case of an IT-system, due to the earth capacitances. Thus, this overvoltage also stresses the insulation with respect to the exposed conductive parts and to other circuits. Of course, it occurs infrequently compared with overvoltages caused by switching of operating currents. This overvoltage is also transmitted via the busbar to other current-using equipment supplied from the same distribution system.

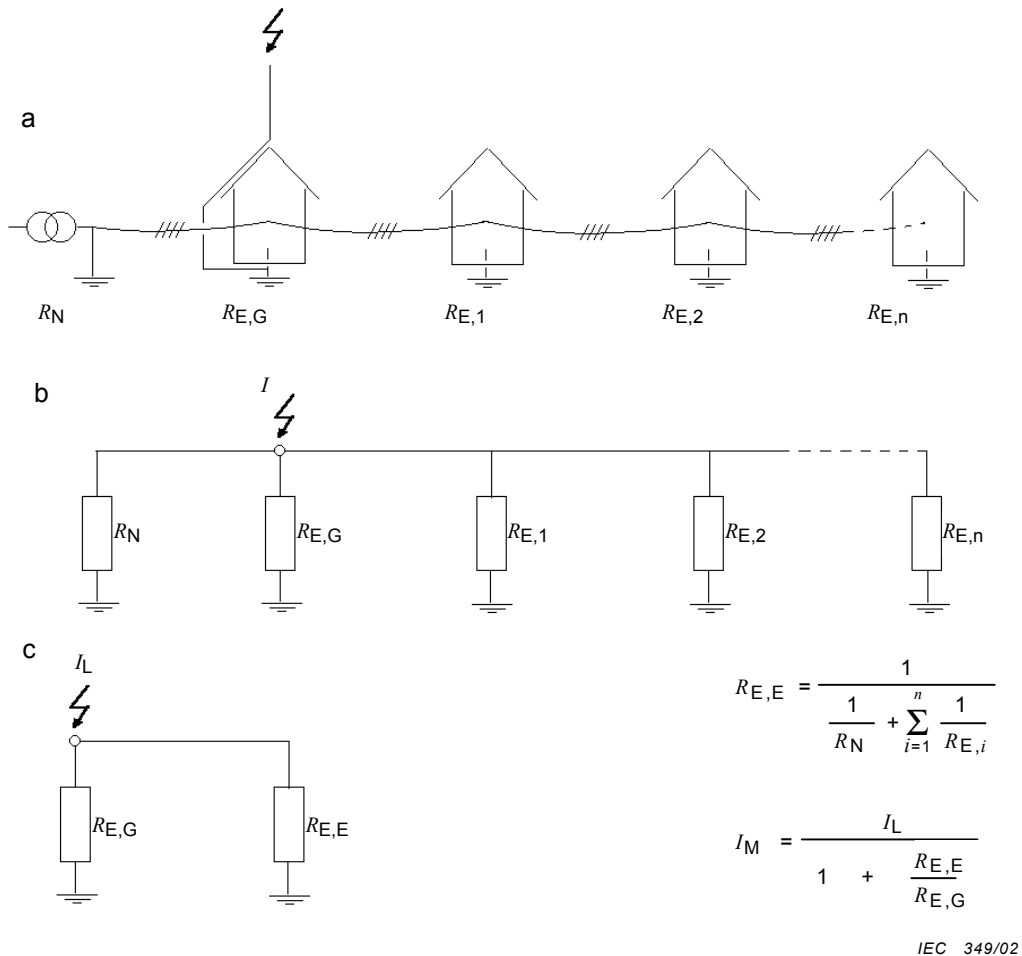
Compared to other surges caused by operational switching, the occurrence of surges due to fuse operation is less frequent. However, in the case of interruption of a short circuit, very severe overvoltage surges can be generated. This is mainly influenced by the rate of rise of the short-circuit current, the characteristic of the fuse and its current rating, and the inductance of the circuit.

Clearing of a short circuit in a feeder of a distribution system by a fuse installed near the busbar is a relevant matter because the overvoltage generated by the switching of the fuse affects all other current-using equipment connected to the same busbar. Experience based on statistics has shown that in the public low-voltage supply, such a fault occurs very rarely. However, this kind of a fault has some relevance when industrial distribution systems are considered, where the occurrence of a short circuit is not such a rare event.

Annex D (informative)

Partial lightning current calculations

According to Figure D.1 a building with a LPS system is struck by lightning. The lightning current I_L will go down the lightning rod into the earthing system of the struck building. This will cause a potential rise and consequently lead to flashover and/or operation of SPDs in the installation, so that the lightning current I_L is partly distributed into the four wires of the system.



Key

- R_N Resistance of neutral earthing
- $R_{E,G}$ Resistance of the earthing of the building struck
- $R_{E,i}$ Resistance of building No. i earthing
- $R_{E,E}$ Total resistance of all earthing except the earthing of the building struck
- I_L Lightning current striking the building struck
- I_M Current flowing in the mains

NOTE For this calculation, the resistance of the earthing system of the neighbouring building $R_{E,E}$ should be equal to, or lower than the resistance of the earthing system $R_{E,G}$ of the building struck.

Figure D.1 – Simple calculation of the sum of partial lightning currents into the power distribution system

The distributed partial current I_M will generate overvoltages in the system and installations, stressing the insulation and connected apparatus. Therefore, not only the struck building is endangered, but also buildings and installations in the neighbourhood.

The simplified network (Figure D.1 b) and c)) allows a simplified calculation of the partial current I_M into the power distribution system.

NOTE This calculation is only valid for the energy sharing (tail of the lightning current wave)

The stress, which an SPD will be subjected to under surge conditions, is a function of many complex and interrelated parameters. These include:

- Location of the SPD(s) within the structure – are they located at the main distribution board or within the facility at secondary board, or even in front of the end-user equipment?
- Components installed upstream of the SPD – for example fuses, the wiring cross sectional area etc, may limit the surge handling capability of the whole system and therefore the maximum stress experienced by the SPD.
- Method of coupling of the lightning strike to the facility – for example, is this via a direct strike to the structure's LPS, or via induction onto building wiring due to a nearby strike?
- Distribution of lightning currents within the structure – for example, what portion of the lightning current enters the earthing system, and what remaining portion seeks a path to remote grounds via the power distribution system and equipotential bonding SPDs?
- Type of power distribution system – the distribution of lightning current on a power distribution system is strongly influenced by the grounding practice for the neutral conductor. For example, in the TN-C system with its multiple earthed neutral, a more direct and lower impedance path to ground is provided for lightning currents than in an TT system.
- Additional conductive services connected to the facility – these will carry a portion of the direct lightning current and therefore reduce the portion which flows through the power distribution system via the lightning equipotential bonding SPD. Attention should be paid to permanence of such services due to possible replacement by non-conductive parts)
- Type of waveshape being considered – it is not possible to simply consider the peak current which the SPD will have to conduct under surge conditions, one also has to consider the waveshape of this surge.

Many attempts have been made to quantify the electrical environment and “threat level” which an SPD will experience at different locations within a facility. IEC 62305-4 has sought to address this issue by considering the highest surge magnitude which may be presented to an SPD based on the lightning protection level (LPL) being considered. For example, this standard postulates that under a LPL I the magnitude of a direct strike to the structure's LPS may be as high as 200 kA 10/350. Whilst this level is possible, its statistical probability of occurrence is only 1%. In other words, 99 % of discharges will be less than this postulated 200 kA peak current level.

In addition, an assumption is made that 50% of this current is conducted via the building's earthing system, and 50 % returns via the equipotential bonding SPDs connected to a three wire plus neutral power distribution system. It is also assumed that no additional conductive service exists. This implies that the portion of the initial 200 kA discharge experienced by each SPD is 25 kA.

Simplified assumptions of current dispersion are useful in considering the possible threat level, which the SPD(s) may experience, but it is important to keep in context the assumptions being made. In the example above, a lightning discharge of 200 kA has been considered. It follows that the threat level to the equipotential bonding SPDs will be less than 25 kA for 99 % of the time. In addition, it has been assumed that the waveshape of this current component through the SPD(s) will be of the same waveshape as the initial discharge, while in reality the waveshape may have been altered by the impedance of building wiring, etc.

Many standards have sought rather to base their considerations of the threat level which the SPD may experience during operation, on field experience collected over time. For example, the IEEE guide to the environment C62.41.1 and the recommended practice C62.41.2 present different exposure levels under each of these depending on the location where the SPD is installed.

From the above, it is apparent that the selection of the appropriate I_{\max} or I_{imp} of an SPD depends on many complex and interconnected parameters. The user not only needs to consider how the injection current will distribute within the structure and its power distribution system, but also needs to take into account the statistical probabilities associated with the magnitude of this discharge and the waveshapes involved.

It is important to keep in context that the probability of damage to electronic systems within the building due to surges entering via power, phone and data lines, is far greater than that due to a direct strike to the building itself.

Many buildings do not have, or may not require LP systems, and as such the need for high current Class I SPDs may not be as necessary as a correctly designed Class II SPD system with low protection level U_p .

When addressing such complexities, one needs to keep in mind that the most important aspect in selecting an SPD is its limiting voltage performance during the expected surge event, and not the energy withstand (I_{imp} , I_{\max} , U_{oc}) which it can handle. An SPD with a low limiting voltage will ensure adequate protection of the equipment, while an SPD with a high energy withstand may only result in a longer operating life.

Annex E (informative)

TOV in the low-voltage system due to faults between high-voltage systems and earth

E.1 General

In the case of a failure on the high-voltage side of the HV/LV transformer (for example, an internal failure of the transformer or a sparkover of a spark gap, see the following note) a current, named in that annex I_m , flows through the earthing resistance R of the transformer. Depending on the connection between this earth resistance and the low-voltage network a high $U_{TOV(HV)}$ can stress the low-voltage network for a period equal to the clearing time of the fault in the HV network (some 10 ms up to hours).

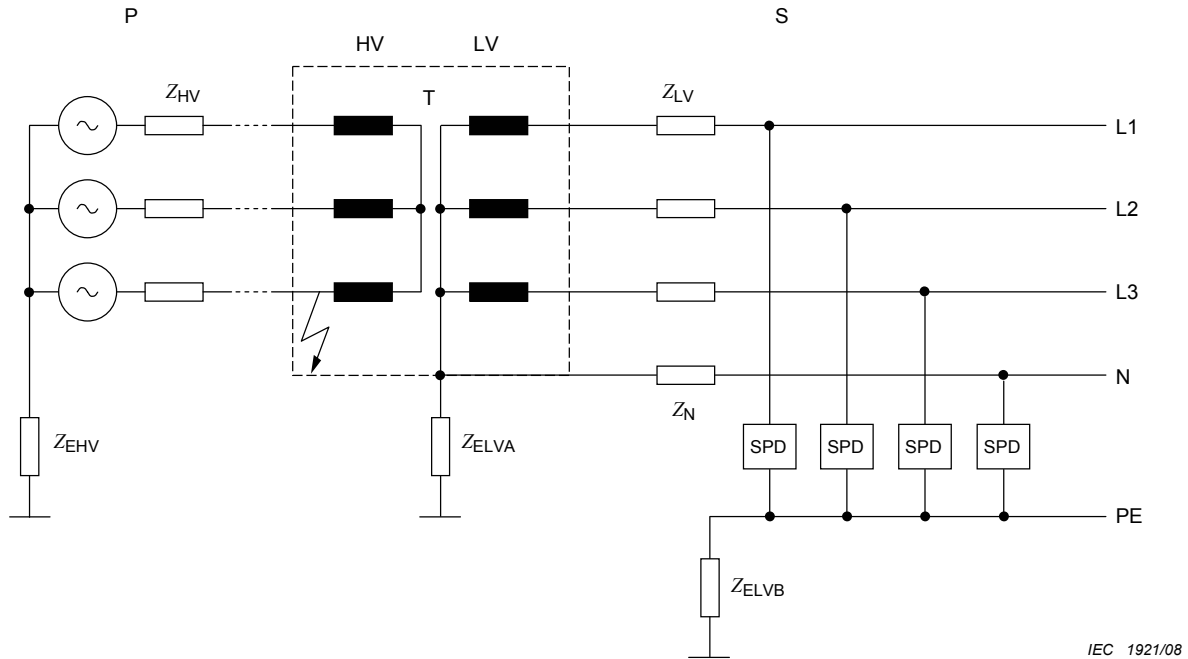
NOTE The temporary overvoltages on the LV side of the transformer may be the result of

- a loss of insulation between HV and LV as a result of an excessively high rise in potential of the HV exposed conductive parts;
- a direct contact between HV and LV following an internal fault of the HV/LV transformer or a drop of an HV conductor onto the LV lines;
- a coupling between earth connections resulting in an overvoltage on the LV neutral point and consequently, the LV conductors and even on the customer's earth connection or the nearby telecommunication system.

For a more detailed discussion of this potential temporary overvoltage condition see IEC 60364-4-44. In such a case an SPD connected between active conductors and earth could be overstressed and may not be able to withstand this stress. The following example of a TT system clarifies this. This can also occur in TN or IT systems (see the other following examples).

E.2 Example of a TT system – Calculation of the possible temporary overvoltages

E.2.1 Possible stresses on equipment in low-voltage installations due to earth faults in a high-voltage system



IEC 1921/08

Key

- P HV system
- S LV system
- T Transformer

Figure E.1 – Temporary power-frequency overvoltage caused by an earth fault in the high-voltage system

Definition of impedances

- Z_{EHV} Impedance of the earthing arrangement of the high-voltage system (depending on treatment of the star point in high-voltage system)
- Z_{ELV} Impedance of the earthing arrangement of the low-voltage system (sum of Z_{ELVA} and Z_{ELVB})
- Z_{LV}, Z_N Line-impedance and impedance of the neutral conductor

An earth fault in the HV-system influences voltages in the LV-system if the star point of the transformer on the low-voltage side is earthed (Figure E.1). Also, where a common earth conductor of both transformer star points does not exist, an earth fault (breakdown of a transformer bushing spark gap or a fault inside the transformer) causes a voltage rise of the LV-system star point. The earth current of the HV-system flowing through the impedance Z_{ELVA} is the reason for that voltage rise at the starpoint of the transformer. Therefore, the value of Z_{ELVA} and the value of the earth current determines the value of the temporary power-frequency overvoltage in the LV-system.

E.2.2 Characteristics of the high-voltage system

E.2.2.1 High-voltage systems with limited earth current

By earthing the HV-system with a Petersen coil, the earth current is limited to $I_{\text{earth}} = 50 \text{ A}$ to 60 A to guarantee the self-extinction of the arc.

The residual earth impedance of the HV-system is therefore in the range of $Z_{\text{EHV}} = 100 \ \Omega$ to $500 \ \Omega$ and the earth current is determined solely by Z_{EHV} . The short-circuit power and the earth impedance Z_{LVA} and Z_{LVB} have no influence.

E.2.2.2 High-voltage systems with low-ohmic earthed neutral

For completely underground systems, limitation of the earth current is no longer an opportunity for self-extinguishing of the earth current (an insulation fault in the cable damages the insulation). For that reason an increasing number of HV-systems operate with a low-ohmic earthed neutral. In general, the earth resistance Z_{EHV} should limit the earth short-circuit current to $I_{\text{earth}} \approx 2 \text{ kA}$.

For a HV-system with a rated voltage $U_n = 20 \text{ kV}$ an earth resistance $Z_{\text{EHV}} \approx 5 \ \Omega$ meets this requirement. Small station transformers often do not have expensive overcurrent protection. Therefore fuses are used to interrupt the short-circuit current. The interrupting time is in the order of some 100 ms depending on fuse current rating.

E.2.3 TOV in low-voltage system due to faults in the high-voltage system

E.2.3.1 High-voltage system with limited earth current

In LV-systems supplied by a HV-system with limited earth current the impedance of the earthing arrangement at the transformer should be in the range $Z_{\text{ELVA}} = 2,5 \ \Omega$ to $5 \ \Omega$. With an earth current $I_{\text{earth}} = 50 \text{ A}$, the voltage between neutral and ground rises up to $U_{\text{TOV(HV)}} = 125 \text{ V}$ to 250 V . In a TT-system this TOV stresses the insulation and the overvoltage protection elements if installed. The maximum current driven by $U_{\text{TOV(HV)}}$ through an overvoltage protection element installed between neutral and ground is definitely smaller than 50 A . Therefore spark gaps between neutral and ground should be able to interrupt small a.c. currents.

NOTE In some countries the value of $U_{\text{TOV(HV)}}$ may be as high as 500 V since the earthing resistance Z_{ELVA} may be as high as $10 \ \Omega$.

E.2.3.2 High-voltage system with low-ohmic earthed neutral

Assuming that a typical 20-kV-system is given by the following parameters:

$$Z_{\text{EHV}} = 5 \ \Omega; P_{\text{short circuit}} = 100 \text{ MVA}, U_n = 20 \text{ kV}$$

and a LV-system characterized by:

$$Z_{\text{ELVA}} = 1 \ \Omega$$

$$U_n = 230 \text{ V}$$

$$Z_{\text{ELVB}} = 5 \ \Omega$$

$$Z_{\text{LV}} = Z_N = 150 \text{ m}\Omega$$

a TOV on Z_{ELVA} of $U_{\text{TOV(HV)}} \approx 1\,200 \text{ V}$ occurs.

The maximum current through an overvoltage protection element installed between neutral and ground depends on the ratio of Z_{ELVA} to the sum of Z_{ELVB} and Z_N . For this example, a current $\approx 200 \text{ A}$ can be calculated.

E.2.4 Conclusions

- An HV-system with limited earth current causes temporary power-frequency overvoltages in the LV-system $U_{\text{TOV(HV)}} \approx 250$ V for an undefined time.
- The maximum current driven by $U_{\text{TOV(HV)}}$ through an overvoltage element between neutral and ground = 50 A.
- HV-systems with low-ohmic earthed neutral cause temporary overvoltages in LV-systems up to $U_{\text{TOV(HV)}} \approx 1\,200$ V.
- The current driven by $U_{\text{TOV(HV)}}$ through an overvoltage element between neutral and ground depends on the ratio of the impedance of the earthing arrangement in the transformer sub-station to the impedance of the earthing arrangement of the LV-system neutral outside the transformer substation. This current is in the range of some hundred amperes.

E.3 Values of the temporary overvoltages according to IEC 60364-4-44

The parameters of the system with regard to temporary overvoltage in the particular application needs to be known by the user for evaluation of the best balance between protection of the equipment and the potential failure of the SPD. IEC 61643-1 addresses this point and an optional temporary overvoltage test is proposed which may be performed on the SPD in order to check that if the SPD fails it should not result in a hazardous condition.

The value of the $U_{\text{TOV(HV)}}$ depends on the fault current I_m and the earthing resistance of the transformer, R . In the case of multiple earthed systems, the resistance is that of the earthing network as viewed from the point of the fault. The maximum values as defined by IEC 60364-4-44 are:

$$U_0 + 250 \text{ V r.m.s. for durations higher than } 5 \text{ s}$$

This case relates to HV systems having long disconnection times, for example inductively earthed HV systems.

NOTE In some countries, the value may be as high as $U_0 + 500$ V and the duration may be much longer than 5 s.

$$U_0 + 1\,200 \text{ V r.m.s. for duration up to } 5 \text{ s}$$

This case relates to HV systems having short disconnection times, for example solidly earthed HV systems.

The following symbols are used in the drawings (taken from IEC 60364-4-44).

I_m : part of the earth fault current in the high-voltage system that flows through the earth electrode of the exposed conductive parts of the transformer substation

R : resistance of the earth electrode of the exposed conductive parts of the transformer substation

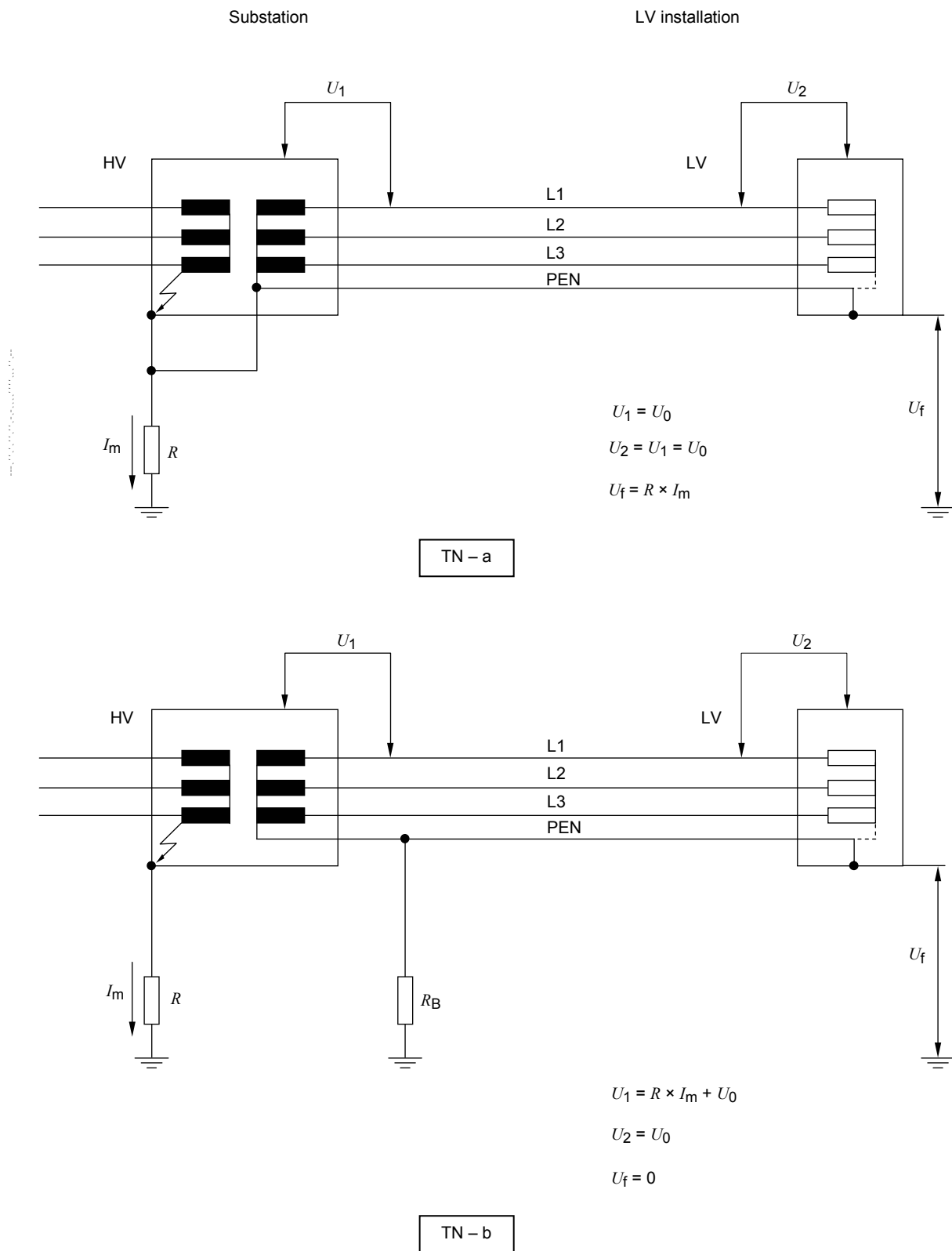
U_0 : line-to-neutral voltage of the low-voltage system

U_f : fault voltage in the LV system between exposed conductive parts and earth

U_1 : stress voltage in the LV equipment of the transformer substation

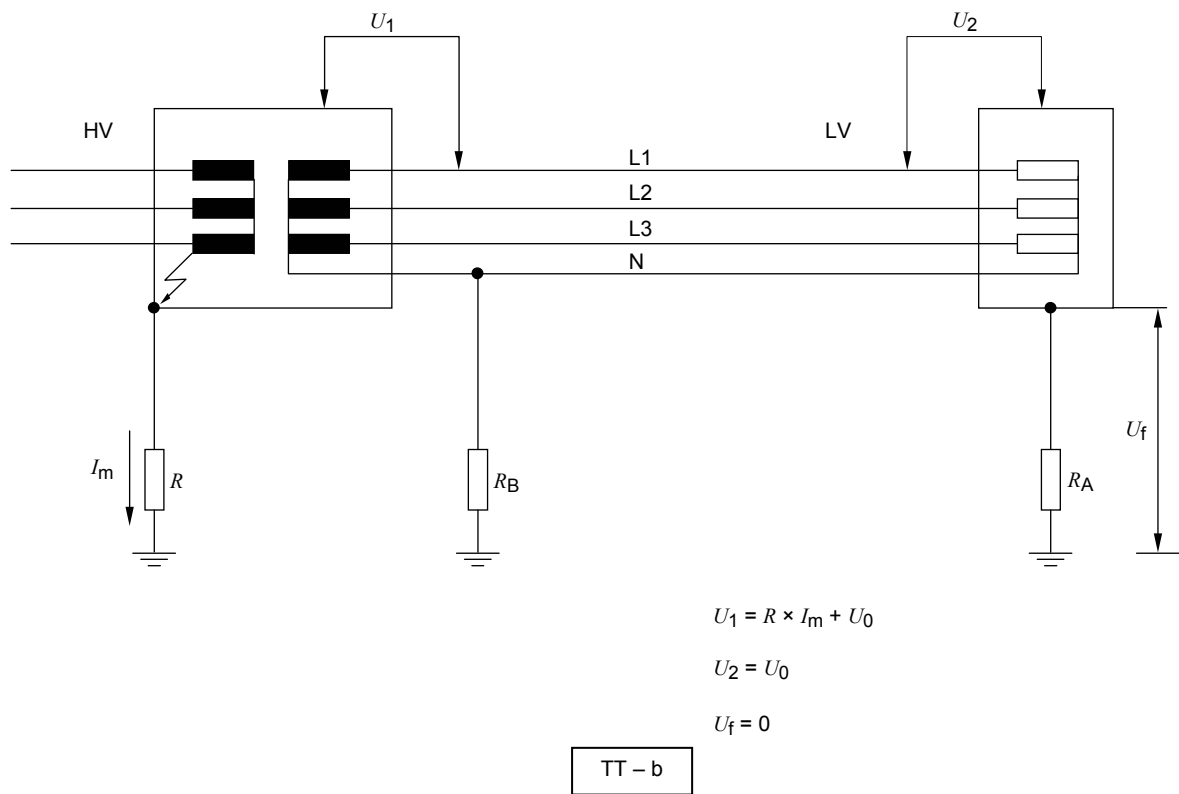
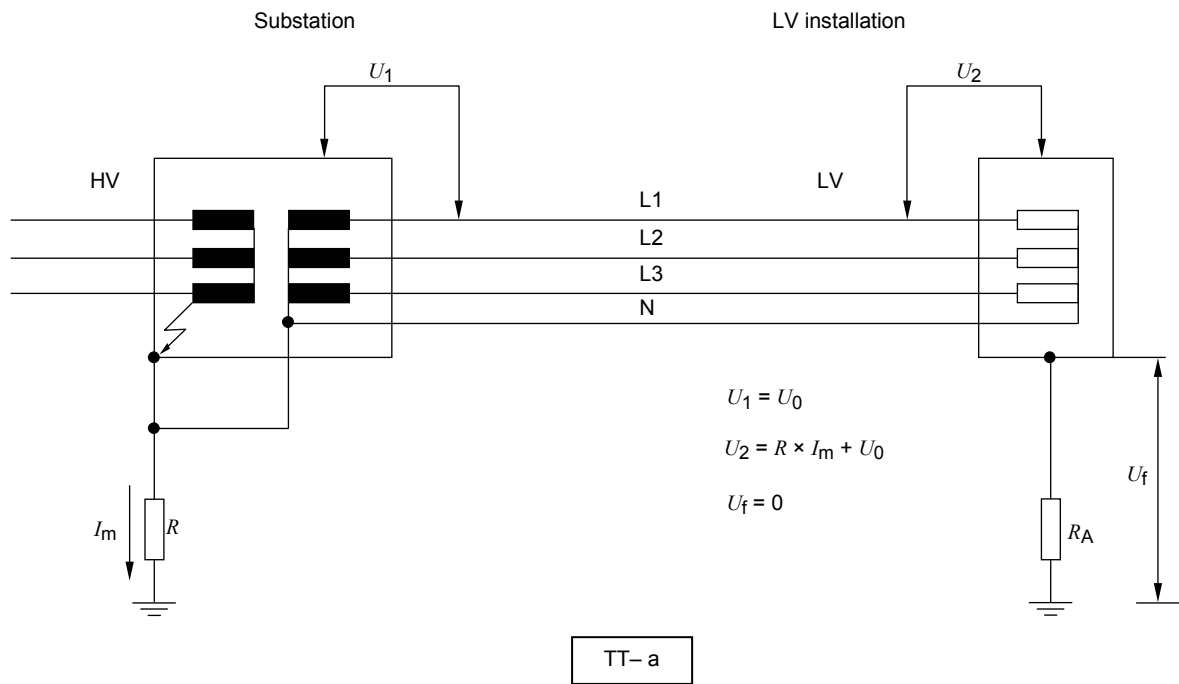
U_2 : stress voltage in the LV equipment of the consumer's system

Figure E.11 and the calculations in Clause E.3 are taken from IEC 60364-4-44. This diagram illustrates a typical case used in the USA.



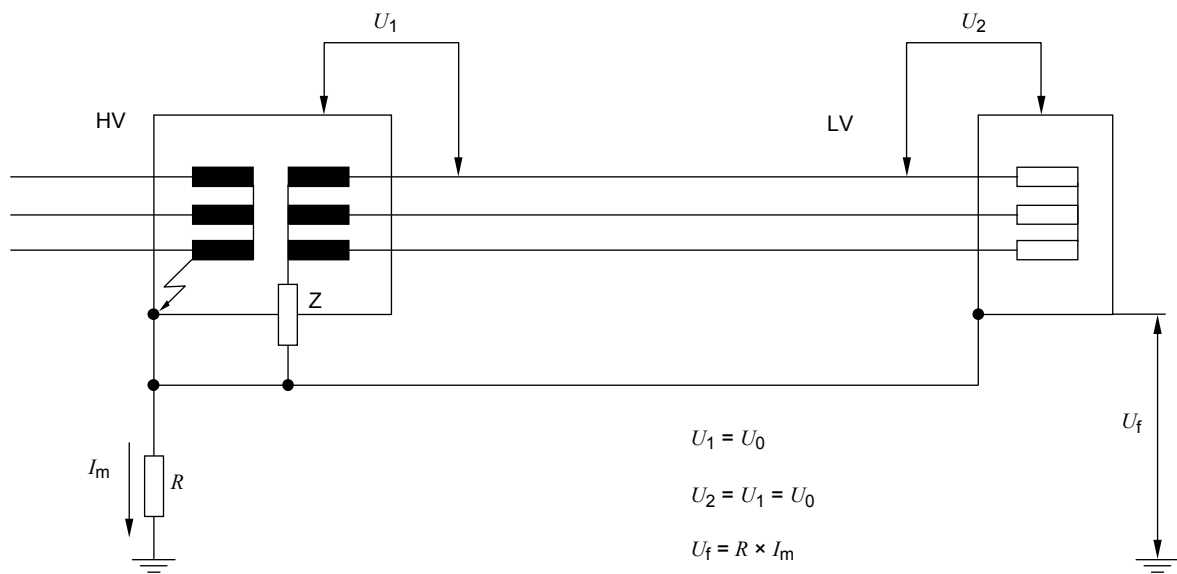
IEC 1922/08

Figure E.2 – TN systems

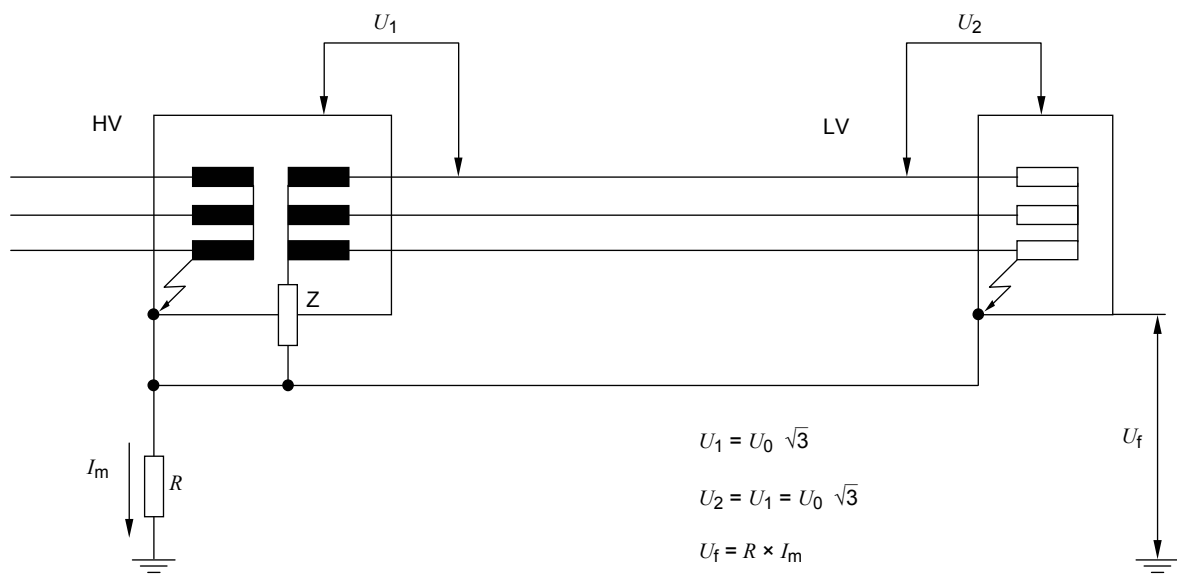


IEC 1923/08

Figure E.3 – TT systems



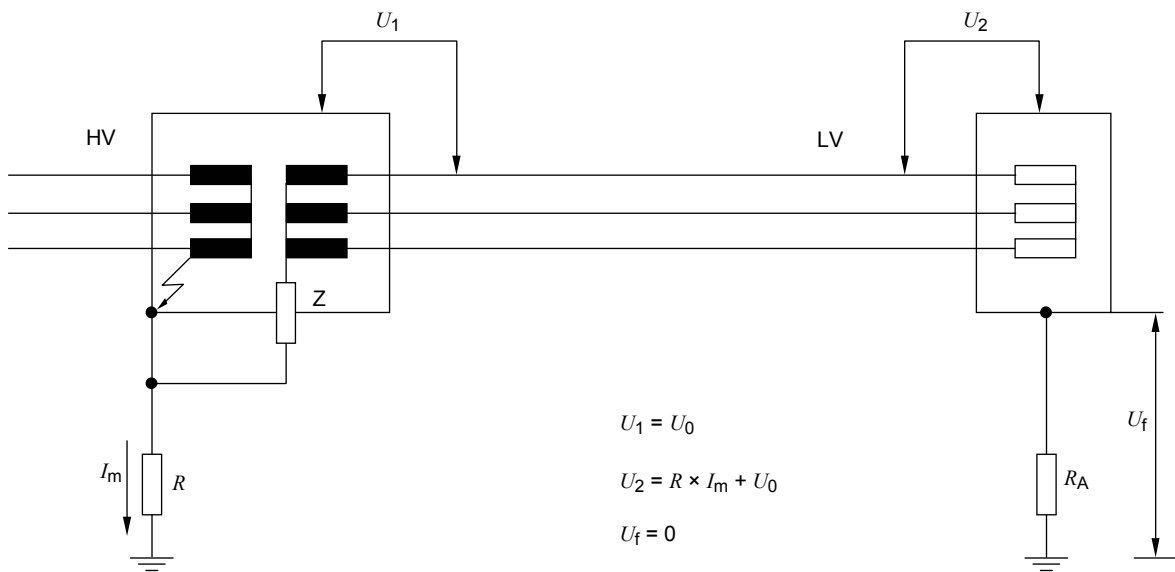
1. No fault exists in the LV system



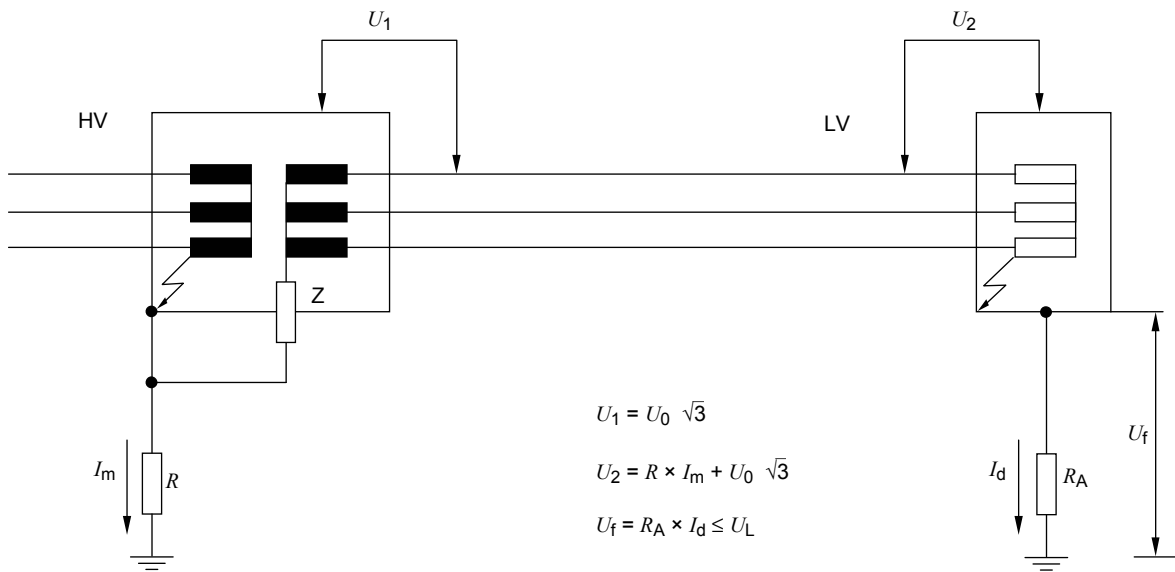
2. A first fault exists in the LV system

IEC 1924/08

Figure E.4 – IT system, example a



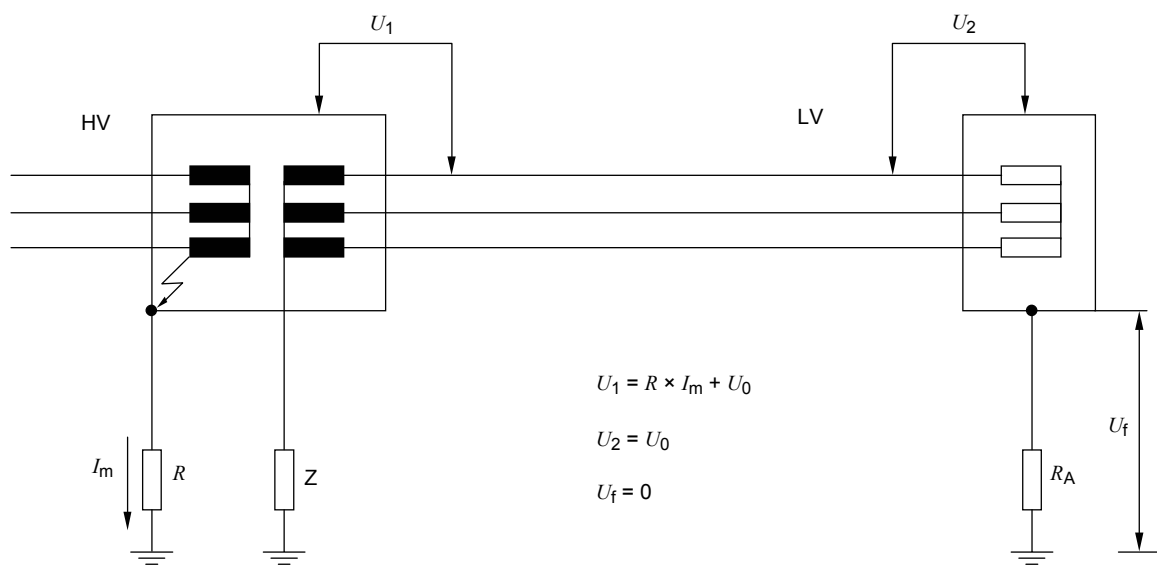
1. No fault exists in the LV system



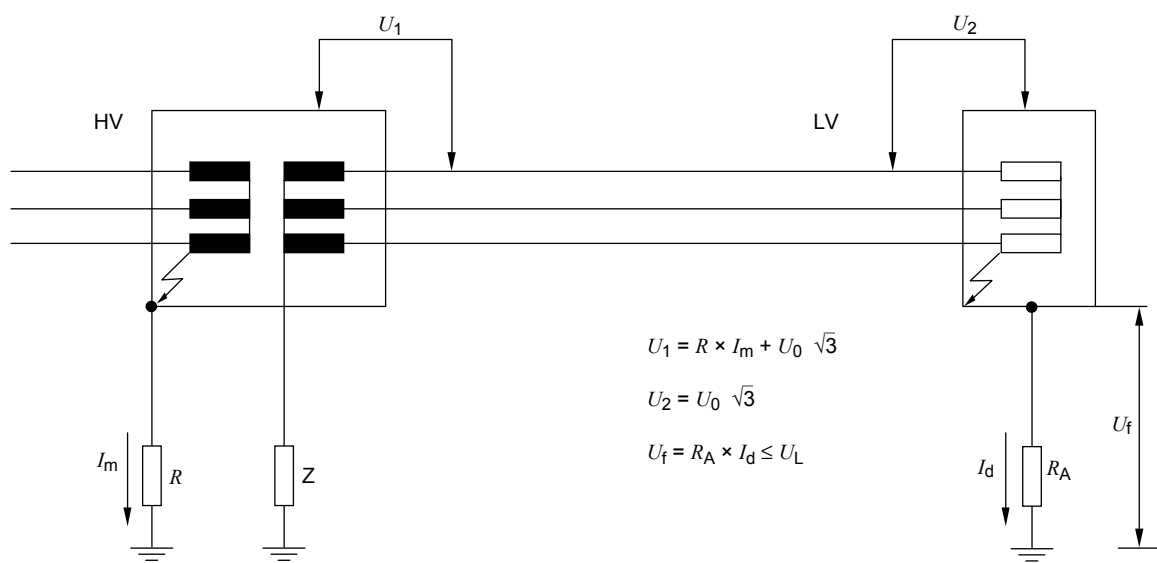
2. A first fault exists in the LV system

IEC 1925/08

Figure E.5 – IT system, example b



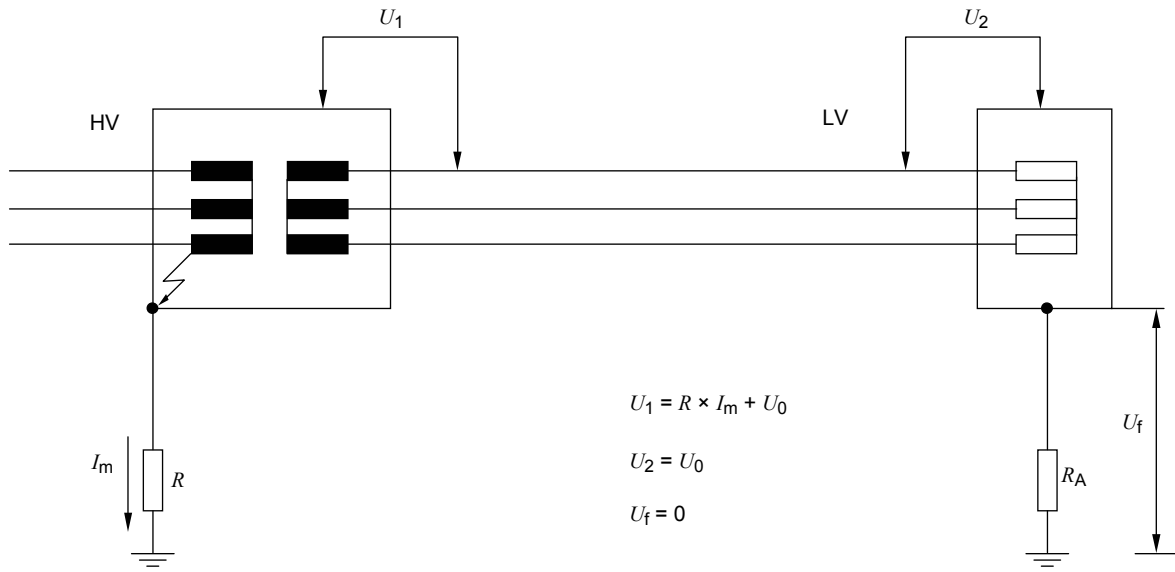
1. No fault exists in the LV system



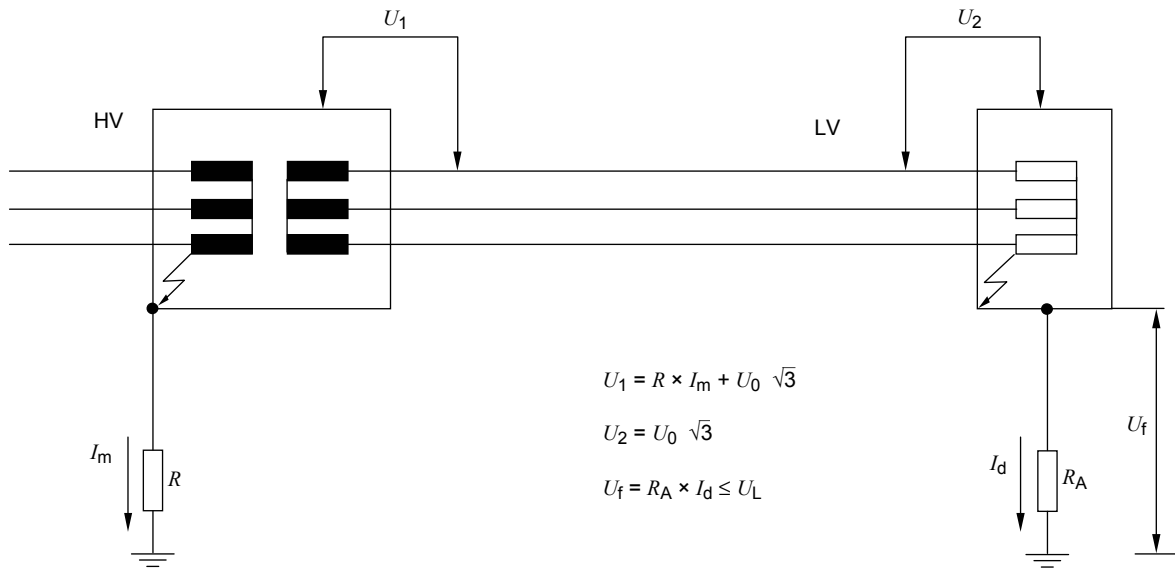
2. A first fault exists in the LV system

IEC 1926/08

Figure E.6 – IT system, example c1



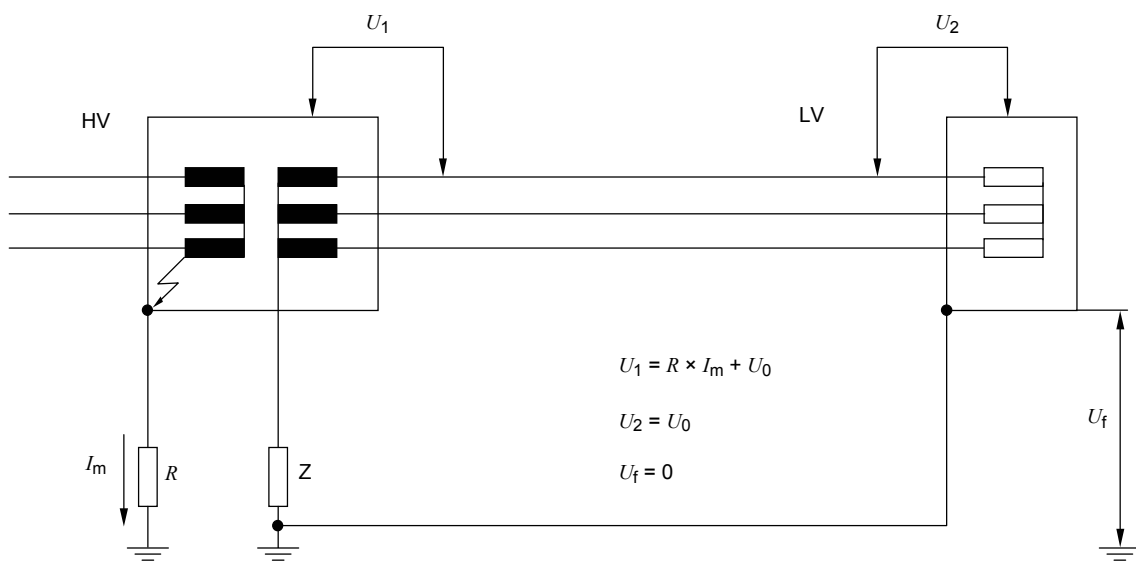
1. No fault exists in the LV system



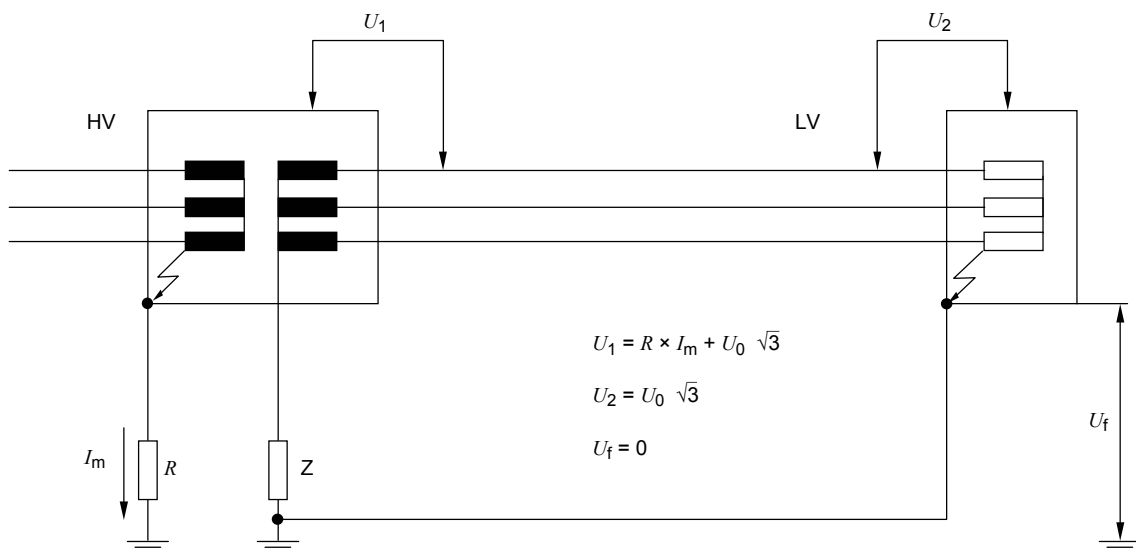
2. A first fault exists in the LV system

IEC 1927/08

Figure E.7 – IT system, example c2



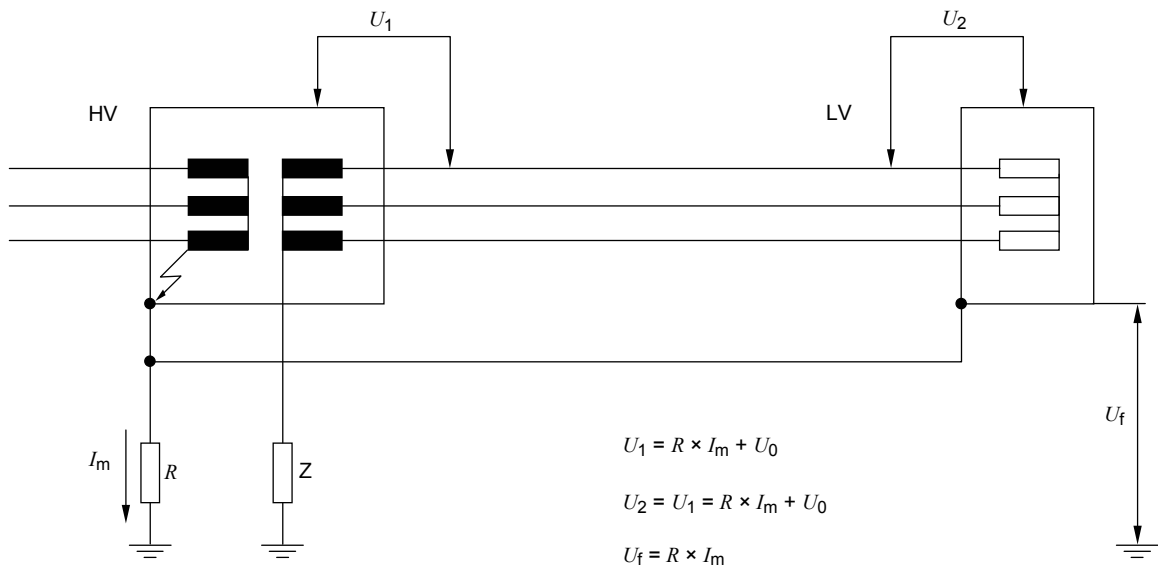
1. No fault exists in the LV system



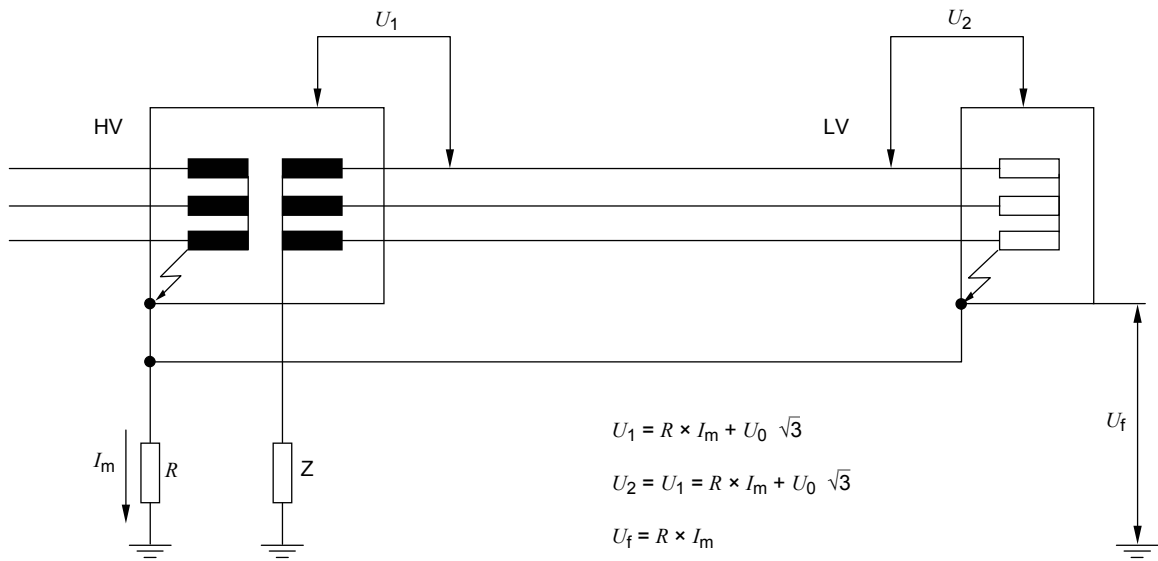
2. A first fault exists in the LV system

IEC 1928/08

Figure E.8 – IT system, example d



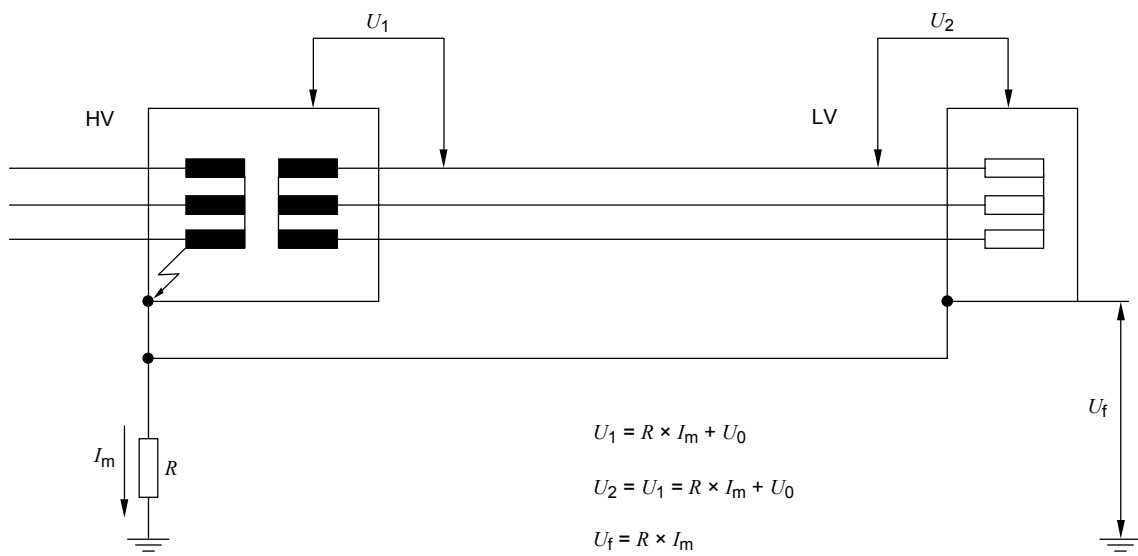
1. No fault exists in the LV system



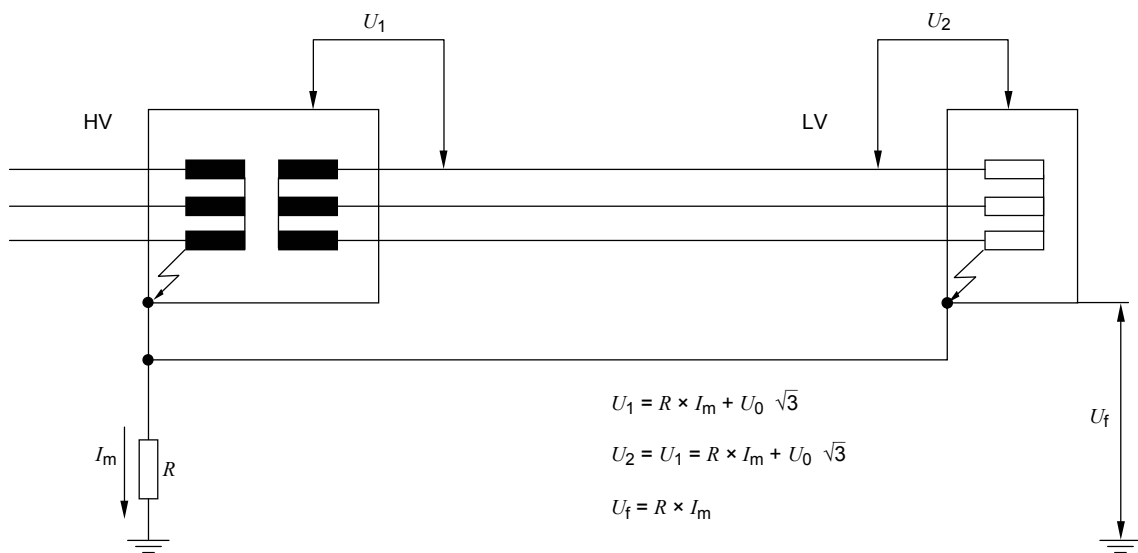
2. A first fault exists in the LV system

IEC 1929/08

Figure E.9 – IT system, example e1



1. No fault exists in the LV system

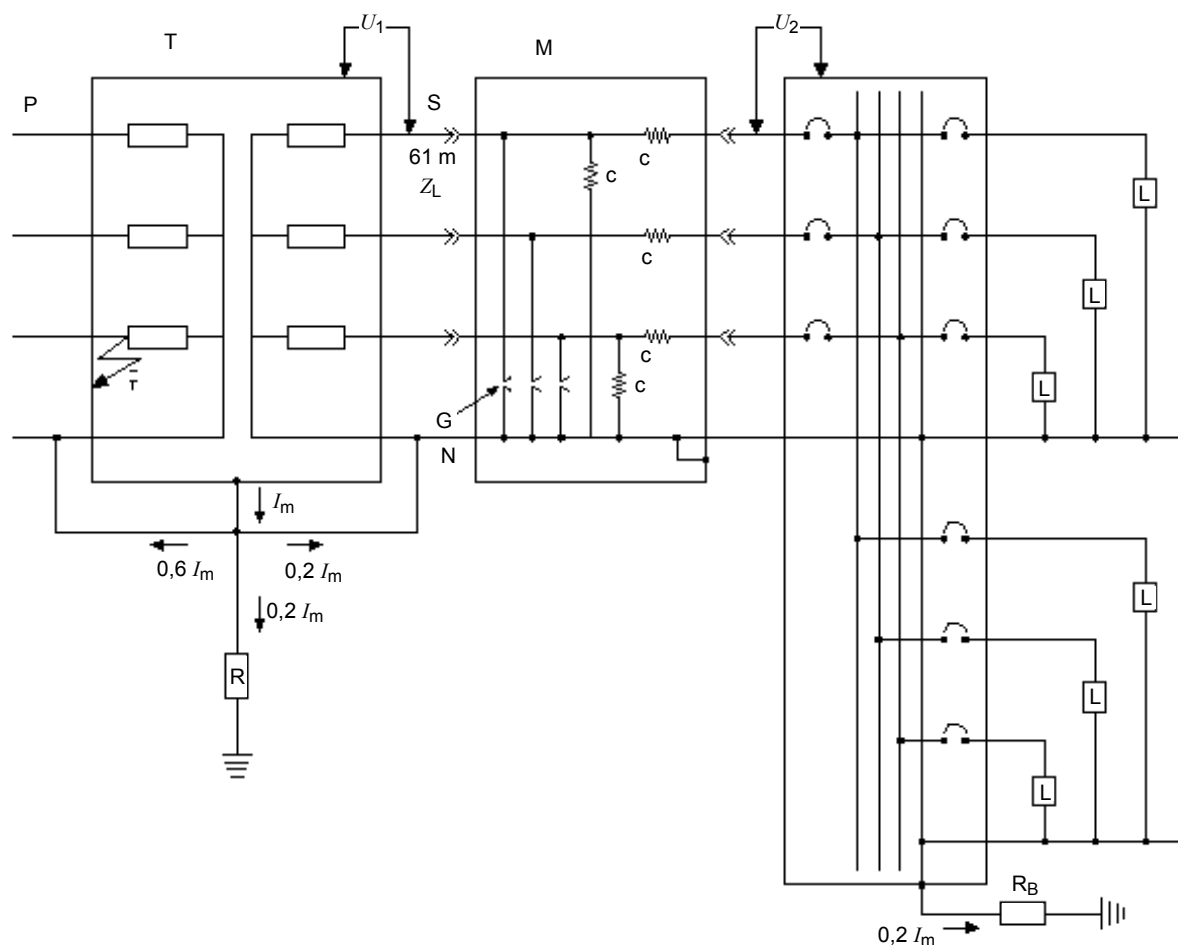


2. A first fault exists in the LV system

IEC 1930/08

Figure E.10 – IT system, example e2

E.4 Values of the temporary overvoltages for the US TN C-S system



IEC 369/02

Key

- | | |
|---------------|-------------|
| P HV | c Coil |
| S LV | G Spark gap |
| T Transformer | L Load |
| M Meter | |

Figure E.11 – US TN-C-S System

The following discussion is based upon Figure E.11. Shown in the figure is a division of power follow current for a fault on the high-voltage side of a distribution transformer. In this example, it is assumed that the earthing resistance of both the transformer and the service entrance is 15 Ω.

$U_1 = U_0$ where U_0 is the maximum operating voltage of the secondary service.

Z_L is the impedance of the line conductors between the transformer and the service panel.

The meter gaps have an impulse sparkover of 1 500 V to 2 500 V.

For the purpose of this example, a typical case has been taken to be representative of a North American 23 kV/13,2 kV Y distribution circuit having a maximum fault current (I_m) of 10 kA. The impedance (Z_L) of 0,041 Ω is typical for triplex secondary conductors which would be used with a three-phase installation of 3 kVA to 25 kVA single-phase overhead distribution transformers. A distance of approximately 60 m of 4/0 AWG (equivalent value according to IEC 60999-1 is 25 mm²) copper was used for the calculation. The assumption of the division

of the fault current is based upon calculations and field measurement during staged fault conditions of faults on a multigrounded distribution circuit.

For this example

$$U_0 = 132 \text{ V}$$

$$U_1 = U_0 = 132 \text{ V}$$

$$U_2 = U_0 + 0,2 \times I_m \times Z_L = 132 + 0,2 \times 10\,000 \times 0,04 = 214 \text{ V}$$

Although this shows an overvoltage of 1,78 times the nominal system voltage (1,78 p.u.), if the assumption is made that $R \gg R_B$ it can be shown, for the same fault condition described, a value of $U_2 = 294 \text{ V}$ or 2,45 times the nominal system voltage (2,45 p.u.) could be obtained. This temporary overvoltage (TOV) would last until the fault is cleared either by a fuse or the opening of an upstream circuit-breaker or reclosers. The operation of these devices would vary from 0,016 s to 1,5 s depending upon the fault isolating device characteristic. Shorter lengths of service conductors and lower fault currents would result in less severe conditions.

Although this example demonstrates that a primary fault can result in a TOV as great as 2,45 per unit of the nominal system voltage, it is an extremely rare condition. It is very uncommon for distribution circuits to have actual fault currents of 10 kA. The bulk of the fault currents on distribution circuits is less than 4 kA. Thus, the TOV would be greatly reduced. Long secondary services are an unusual condition. Shorter service lengths would result in lower overvoltages. In general, secondaries do not exceed 30 m. Therefore, if the fault current was 4 kA and the secondary less than 30 m the TOV would be approximately 1,24 per unit of the nominal system voltage or 148,4 V.

Annex F (informative)

Coordination rules and principles

F.1 General

As described in 6.2.6, coordination between SPDs is made to achieve the energy criterion. This is based on the maximum energy withstand of the second SPD. However, this energy is sometimes dependent upon the waveshape and the tests, as described in IEC 61643-1. Coordination is generally performed with only one waveshape (8/20 for example for class II tests). For this reason, it is better and easier to get this value E_{\max} directly from the manufacturer (most of the time it is printed in the technical documentation).

Two values are necessary to define satisfactorily the energy withstand of an SPD:

- $E_{\max S}$ for short-duration current waveshapes, for example, 8/20 (class II tests);
- $E_{\max L}$ for long-duration current waveshapes, for example, class I test waveshapes.

These two values $E_{\max S}$ and $E_{\max L}$ may be equal for some technologies.

The SPD is then characterized by two currents I_{\max} for short waves (as used for class II tests) and I_{imp} for long waves (as used for class I tests), associated with the energy withstand $E_{\max S}$ and $E_{\max L}$. A simple SPD may then be tested according to class I test and class II test.

It is necessary to co-ordinate SPDs 1 and 2 using their maximum energy withstand E_{\max} for the relevant surge waveshapes. That means that it is necessary to deal with two cases:

- coordination with long-duration waveshapes;
- coordination with short-duration waveshapes.

In general, coordination is easier to achieve with short waveshapes.

NOTE For switching type SPDs it is necessary to deal also with a long front time. Such a matter is under consideration in IEC technical committee 81.

F.2 Analytical studies: simple case of the coordination of two ZnO varistor based SPDs

F.2.1 General

The following considerations apply only to one-port limiting type SPD tested to class I and II where the curve $U_{\text{res}}(I)$ is known. These curves are measured using an 8/20 waveshape and are given by the manufacturer in the SPD technical documentation. Class III and two-port SPDs need special attention (under consideration).

The example given below is to help in the understanding of the coordination issue. It deals firstly with the case of the SPDs 1 and 2 being made of ZnO varistors where an analytical study is possible. It should be noted that such an analytical study is based only on current sharing. To make sure that the energy criterion is fulfilled, additional calculations, which are in general rather difficult to make, may be needed.

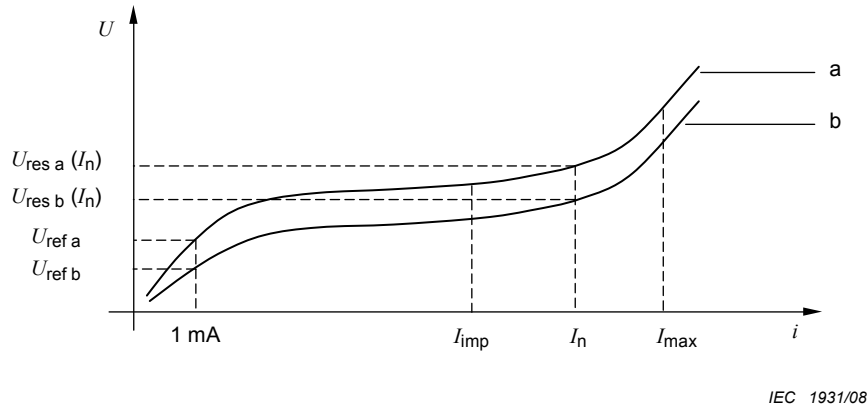
- If the two varistors have the same diameter (and so have the same nominal discharge current I_n and the same energy withstand: same I_{\max} and same I_{imp}) but have different voltage protection levels U_{p1} and U_{p2} (different thicknesses), we have then the following equations:

$$I_{n1} = I_{n2}$$

$$I_{\max 1} = I_{\max 2}$$

$$I_{\text{imp}1} = I_{\text{imp}2}$$

Then the possible curves $U_{\text{res}}(I)$ are illustrated in Figure F.1.



IEC 1931/08

Figure F.1 – Two ZnO varistors with the same nominal discharge current

If $U_{p1} > U_{p2}$: in this case, curve a) corresponds to SPD 1 and b) to SPD 2.

This coordination will be in general acceptable with short waveshapes if $l >$ a few metres (typically between 5 m and 10 m).

With long waveshapes the decoupling effect is reduced; therefore SPD 2 may have to withstand the total incoming surge i . SPD 2 is able to withstand the total stress as it has the same design as SPD 1.

If $U_{p1} < U_{p2}$: in this case, curve a corresponds to SPD 2 and b to SPD 1 and so most of the current will flow through SPD 1. In this case the current flowing through the second SPD will be less than the impinging current.

The energy criterion is fulfilled in both cases as both SPDs have the same current-carrying capability.

This first case was discussed in order to explain the mechanism as there is little to be gained by having two SPDs with the same energy withstand capability.

- If the two varistors have different nominal discharge current

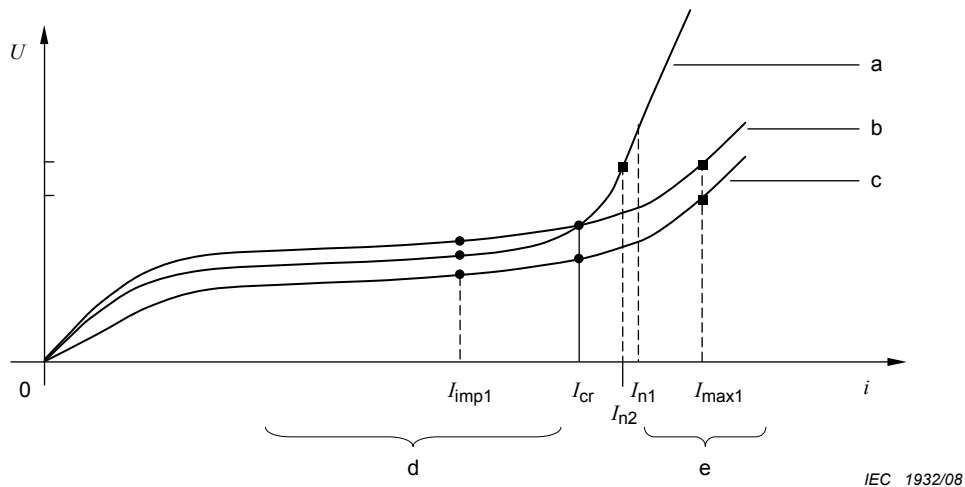
For this application a practical case is: $I_{n1} > I_{n2}$ and $E_{\max 1} > E_{\max 2}$. In addition, SPD 1 and SPD 2 can have characteristics such as $U_{\text{res}1}(I_{n1}) < U_{\text{res}2}(I_{n1})$. Then the $U_{\text{res}}(I)$ curves are illustrated in Figure F.2. No impedance is present in this figure as it is not easy to take care of it in an analytical study. In this case, it can be seen from Figure F.2 that with a short waveshape the coordination will be good as most of the current will flow through the first SPD. But with long waveshapes the coordination could be difficult to determine. The coordination, with a long waveshape and a magnitude of the incoming current lower than the current at the crossing point (see Figure F.2) of the two curves, may not be achieved. A greater part of the incoming current flows through SPD2 as the $U_{\text{res}2}$ curve is lower than $U_{\text{res}1}$ at this level of current. An inductance therefore becomes necessary between the two SPDs.

Consequently, it is necessary to compare the curves $U_{res}(i)$ with I from $0,1 \times I_{n2}$ up to I_{max1} to check if they cross each other, instead of just comparing $U_{res1}(I_{n1})$ and $U_{res2}(I_{n2})$ (U_{p1} and U_{p2} respectively) which are given in the manufacturer's technical documentation. The current value at this crossing point I_{cr} (if any), needs to be as low as possible.

In this case, the energy criterion has a high probability of being fulfilled, the lower I_{cr} the higher the probability of success. If there is any doubt, the calculation of the energy through the second SPD is necessary taking care of the impedance between the SPDs and of the long waveshapes. Such a calculation is not easy to perform analytically.

If it is not possible to get these curves because of a lack of information or because a simple and quick result is needed then it is necessary to compare the curves U_{res1} and U_{res2} at the same level. In such a case, the condition for an easy and good coordination is $U_{res1}(I_{n2}) < U_{res2}(I_{n2})$. The conservative curves (illustrated in Figure F.2) meet the case but, of course, with such a varistor there will perhaps be an unnecessary margin. In addition, this varistor may have a problem to withstand stresses coming from the network as a temporary overvoltage.

Anyway in this case, even if the current in the second SPD is low, the energy criterion may not be fulfilled for long-duration surges. Additional calculation of the energy through the second SPD may be necessary. In addition, it is necessary to check that the protection of the equipment is still obtained (as a low current in SPD2 may lead to a high voltage due to the non-linearity of the varistor).



Key

- a Curve corresponding to SPD2
- b Curve corresponding to SPD1 (curve crossing curve for SPD2)
- c Conservative curve corresponding to SPD1 (curve not crossing curve of SPD2)
- d Surge current range for long-duration waves
- e Surge current range for short-duration waves

Figure F.2 – Two ZnO varistors with different nominal discharge currents

F.2.2 Conclusion

In every case where two ZnO varistors need to be co-ordinated, the following five-step procedure should be used.

- a) Identify the overvoltages expected to occur in the absence of any SPD and make a distinction between long waveshapes and short waveshapes.
- b) Choose SPD1 in order to be able to withstand this stress. If it is not possible to get information at step a), use a sufficiently dimensioned SPD (see risk analysis) and obtain from the manufacturers the values $I_{\max 1}$ and $I_{\text{imp}1}$. Then consider these values alongside the data given by a).
- c) SPD2 should then be selected according to its desired protective characteristics.
- d) Compare the curves $U_{\text{res}}(I)$ with I from $0,1 \times I_{n2}$ up to $I_{\max 1}$. Then determine the crossing point I_{cr} . If this current I_{cr} is low enough (typically $0,1 \times I_{n2}$) then it is not necessary to calculate the energy in the second SPD. The energy criterion will be fulfilled whatever the distance between the SPDs. If there is any doubt, calculate the energy through the second SPD taking into consideration the impedance between the SPDs and check the energy criterion. If such curves are not available then choose SPD 2 with the following simplified requirements.

If SPD2 has the same nominal discharge current: $U_{\text{res}1}(I_n) < U_{\text{res}2}(I_n)$.

If SPD2 has a smaller nominal discharge current: $U_{\text{res}1}(I_{n2}) < U_{\text{res}2}(I_{n2})$.

It would then be wise to calculate the energy in SPD2 to check the energy criterion and to check that the protection is still obtained.

- e) Repeat until step c) gives a satisfactory result.

NOTE 1 The values of voltage at very low current (generally called reference voltage) are not applicable for coordination.

NOTE 2 In any case (with or without ZnO varistors) EMC (electromagnetic compatibility) considerations require that the current flowing through SPD2 be as small as possible

NOTE 3 The curves $U_{\text{res}}(I)$ are maximum values. It is necessary to take into consideration the variation in characteristics due to manufacturing tolerances.

NOTE 4 The previous studies can be generalized to more than two SPDs.

F.3 Analytical study: case of coordination between a gap-based SPD and a ZnO varistor based SPD

F.3.1 General

Another commonly used case is the use of a gap as SPD1 with a ZnO varistor as SPD2. See Figure F.3. In this case the coordination is achieved when a sparkover occurs before SPD2 is overstressed.

Before this sparkover, we have

$$U_1 = U_{\text{res}2}(i) + L \times di/dt$$

As this value $U_{\text{res}2}(i)$ is not known in general, the following formula is used which gives a conservative result:

$$U_1 = U_{\text{ref}2}(i) + L \times di/dt$$

where $U_{\text{ref}2}$ is the reference voltage of the ZnO varistor 2. This reference voltage is a parameter characterising the varistor and which is very close to the knee point of the U versus i characteristic.

As soon as U_1 exceeds the dynamic sparkover voltage of the gap (named U_{dyn} in this annex), coordination is achieved, and just a small part of the current flows through the second SPD. It depends on the characteristics of the ZnO varistor (SPD 2), the dynamic sparkover voltage of the gap (SPD 1), the rate-of-rise and magnitude of the incoming surge, i , and the separation

distance, d , between the SPDs (the inductance, L , part of the impedance Z is used as R is assumed to be negligible in this case).

F.3.2 Example of the calculation of the estimated values required for a decoupling inductance between a gap and a varistor

The limitation of physical space within, for example, a modern cellular radio base station is such that a downstream MOV-based SPD may limit transients at a voltage level well below the trigger voltage of an upstream gap-based SPD. This will prevent operation of the gap and allow all the incident energy to reach the MOV-based SPD. In a larger space, the cabling distance between SPDs will be longer, and hence may provide sufficient inductance to spark gap operation.

There always remains the possibility that the incident transient has dispersed through parallel paths to the degree that there will be insufficient voltage to trigger the gap. In this case the downstream SPD shall have a sufficient rating to absorb the total energy on its own.

At higher energy levels, non-operation of the spark gap will allow excess energy to reach the downstream SPD and cause its destruction. Coordination is achieved by ensuring that there is sufficient series decoupling impedance to ensure gap operation at all energy levels above the limit of the downstream SPD.

The value of inductance required to ensure coordination can be calculated simply. Firstly, the parameters of the gap need to be known. Spark gaps will typically trigger below 4 kV and within 200 ns.

Secondly, the downstream SPD parameters should be known. A typical unit rated 275 V a.c. would start limiting at approximately 430 V. It might have an I_n of 5 kA based on class II testing using an 8 μ s to 20 μ s.

However, it must be remembered that the gap is rated for class I testing assuming a 10 μ s to 350 μ s or equivalent long tail impulse. The peak current of the downstream SPD must be derated to cater for the additional energy of this class of impulse. The derating factor is assumed to be 4:1. Therefore, the peak current rating reduces from 5 kA to 1,25 kA. A 10 μ s rise time produces a di/dt of 125 A/ μ s.

The required inductance to ensure reliable operation of the gap can now be calculated from the equation:

$$U = L \times di/dt + I \times R$$

where

U is the spark gap trigger voltage;

di/dt is the rate of rise of the incident impulse;

$I \times R$ is the voltage drop across the downstream SPD (note that R is a non-linear value).

In the case
$$L = \frac{U - I \times R}{di/dt}$$

Assuming the gap will trigger within 200 ns the current flowing into the downstream SPD will be

$$I = 0,2/10 \times 1\ 250\ A = 25\ A$$

The voltage $I \times R$ would be in the order of 600 V

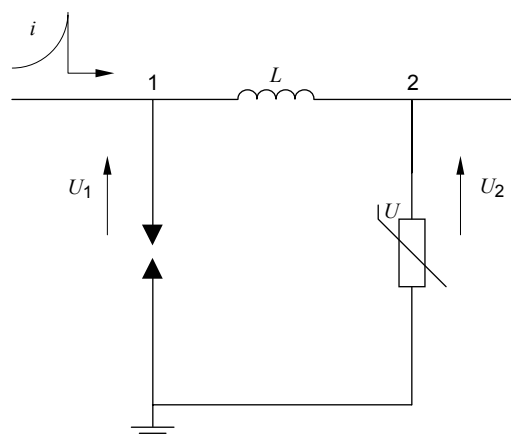
Therefore

$$L = \frac{4\,000 - 600}{125 \times 10^{-6}}$$

or

$$L = 27,2 \mu\text{H}$$

This inductance may be a single lumped value, a 27,2 m length of power cable assuming an inductance of 1 μH per metre length, or it may be a combination of a length of cable and an inductor of lower value.



IEC 1933/08

Key

L Inductance

Figure F.3 – Example of coordination of a gap-based SPD and a ZnO varistor based SPD

Using this example, general conditions can be obtained to design this kind of coordination.

F.3.3 Conclusion

When the gapped SPD 1 has been chosen, it is necessary to select the SPD 2 by fulfilling the requirement:

- for an incoming surge corresponding to a class I test wave:

$$U_{\text{dyn}} < U_{\text{ref}2} + L \times I_{\text{peak}2}/10$$

- for an incoming surge corresponding to a class II test wave:

$$U_{\text{dyn}} < U_{\text{ref}2} + L \times I_{\text{max}2}/8$$

These rules give a conservative result. When a smaller value of L is unavoidable, a computer simulation is needed to check if coordination is achieved.

NOTE Other cases can give more severe results, especially using longer wavefronts which are under consideration. IEC Technical Committee 81 is presently studying a longer front time: 100 μs .

F.4 Analytical study: general coordination of two SPDs

The study of the case of two varistors or of the gap-ZnO scheme clearly shows the complexity of the problem of coordination. Allowing for the fact that the curves u versus i are rarely known and that in reality it is necessary to deal with wide tolerances, it is clear that analytical studies are just dedicated to simple cases. As soon as the energy through the second SPD

needs to be calculated, it is easier to perform a simulation. The main interest of such an analytical method is to allow the user to better understand what the phenomena are.

Whatever the SPD technology, the general rules given above and especially the energy criterion presented in 6.2.6 are still applicable.

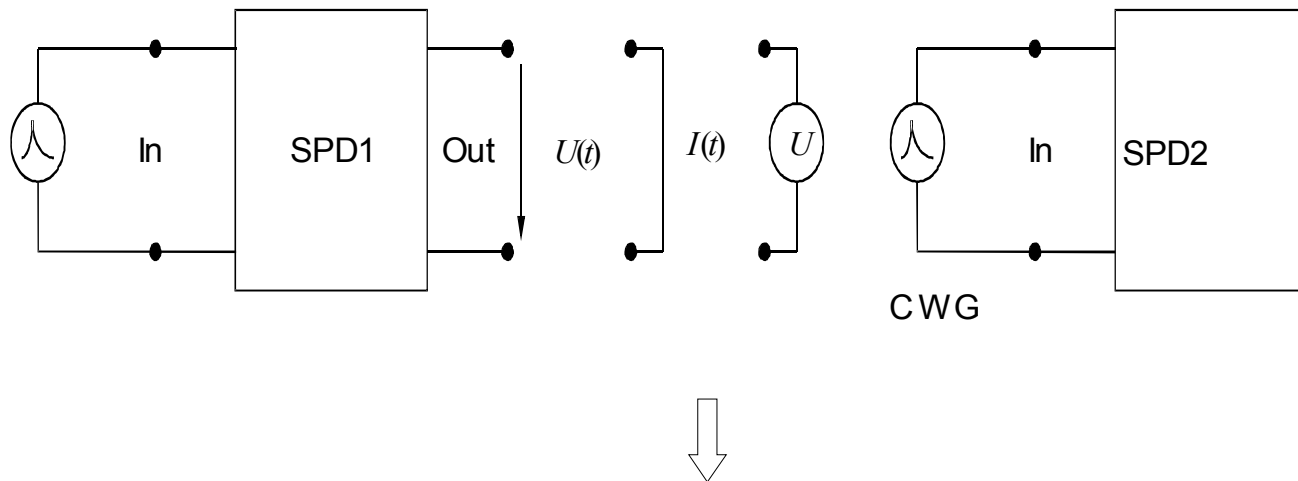
To achieve an acceptable coordination generally requires simulations or tests to be performed by the manufacturer or by the user or use of the simplified method presented below.

It is possible that SPDs of unknown characteristic may be internally located in equipment. Since equipment may be changed during the life of the installation, care should be exercised to ensure that the equipment SPD is not overstressed due to the lack of coordination.

F.5 Let-through energy (LTE) method

F.5.1 General

The coordination with standard impulse parameters, as described in IEC 62305-4, is a procedure to select and co-ordinate SPDs. The main advantage of this method is the possibility of considering an SPD like a black box (see Figure F.4). Here, for a given surge at the input port not only the open-circuit voltage, but also an output current (for example, into a short circuit) is determined (principle of "let-through energy"). These output characteristics are converted into an equivalent "2 Ω-combination wave"-stress (open-circuit voltage 1,2/50, short-circuit current 8/20). The advantage is that there is no need for special knowledge of the internal design of the SPDs.



IEC 373/02

Conversion into a comparable standard impulse – 1,2/50, 8/20 with $Z_i = 2 \Omega$.

$$U_{oc} \text{ SPD1/out} \leq U_{oc} \text{ SPD2/in}$$

Key

U Load voltage

Figure F.4 – LTE – Coordination method with standard pulse parameters

The aim of this coordination method is to make the input values of SPD2 (for example, discharge current) comparable to the output values of an SPD1 (for example, voltage protection level).

With stepped protection, it shall be considered that the equivalent input hybrid impulse which can be discharged by the following SPD (without damage) is equal to, or higher than, the equivalent output hybrid impulse of the preceding SPD.

For reliable coordination, the equivalent hybrid impulse shall be determined for the worst case of the stressing (I_{max} , U_{max} , let-through energy).

The worst case for the design of the decoupling element is given by a short circuit. But for coordination purposes this is too strenuous. It is more realistic to include a "load side voltage" (called hereafter "counter voltage").

The SPD downstream of a spark gap usually consists of a ZnO varistor. The residual voltage of such an SPD is in any case higher than the peak value of the nominal power supply voltage (for example, in an a.c. system with a nominal voltage of 240 V the peak power supply voltage is $\sqrt{2} \times 240 = 340$ V, which is below the reference voltage of the installed SPDs). This peak nominal power supply voltage corresponds to the lowest possible residual voltage of SPDs. Therefore this peak voltage can be taken as the minimum possible counter voltage. Using the current in a short circuit instead of assuming a counter-voltage would result in an over-dimensioning of the decoupling element.

NOTE 1 This method provides good results when the characteristics of SPD 1 are so different from those of SPD 2 that the surge conditions on SPD 2 are quasi impressed current conditions, for example in case of the coordination between a spark gap and an MOV, this condition is fulfilled.

NOTE 2 Restrictions on the use of the method are as follows:

- to be sure to get a conservative result, the decoupling element should be included in the method as a part of the second SPD;
- to be sure to get a conservative result, the "counter-voltage" proposed should be equal to 0 where the second SPD contains a switching component;
- when the second SPD contains a switching component there is a possibility that the result is underestimated due to this method not being truly realistic in modelling the switching component. In such case, care shall be used in the application of the method;
- the waveshape of the surge injected at the entrance of the installation should be considered as having a current waveshape and a voltage waveshape which are equal (10/350 or 8/20). The magnitude of the surge current i is in general known. The magnitude of a surge voltage U depends on the surge impedance of the system;
- the study should take care of the tolerances on the SPD characteristics.

F.5.2 Method

The method described below generally gives a conservative value for the decoupling element (impedance) between the two SPDs. This means that, if such an impedance is installed between the two SPDs, the coordination will generally act better than predicted by the calculation.

The method: the basis of this method is to represent the output of each SPD as an equivalent combination wave generator (CWG), defined by a no-load voltage U_{oc} 1,2/50 and a short-circuit current I_{sc} 8/20, the impedance of the generator being 2Ω ($U_{oc} = 2 \times I_{sc}$).

SPDs tested according to class III tests are already tested by such a CWG. In the case of SPDs tested according to class II tests it is necessary to consider that $I_{sc} = I_{max}$.

The SPD at the front may be tested according to class I tests in the case of direct lightning on the structure or according to class II tests.

The voltage at the output of each SPD will have in general a waveshape which is not directly connected to the waveshapes 1,2/50 and 8/20. It is then necessary to normalise the actual waveshapes in order to convert them in the 1,2/50 and 8/20 waves

This is done by calculating the following values:

crest value of $u = \hat{u}$, $\int u \, dt$ and $\int u^2 \, dt$
 crest value of $i = \hat{i}$, $\int i \, dt$ and $\int i^2 \, dt$

NOTE The units used in the formulae and in the tables should be consistent.

These values are then used in Table F.1.

Table F.1

Voltage	\hat{u}	$\int u \, dt$	$\sqrt{\int u^2 \, dt}$
Current	\hat{i}	$\int i \, dt$	$\sqrt{\int i^2 \, dt}$

The same table for a CWG with an amplitude of 1 V (Table F.2) is:

Table F.2

Voltage	1	70×10^{-6}	6×10^{-3}
Current	0,5	12×10^{-6}	2×10^{-3}

So dividing each cell of Table F.1 by the equivalent cell of Table F.2, we get a new table, Table F.3:

Table F.3

Voltage	\hat{u}	$\int u \, dt / (70 \times 10^{-6})$	$\sqrt{\int u^2 \, dt} / (6 \times 10^{-3})$
Current	$\hat{i} \times 2$	$\int i \, dt / (12 \times 10^{-6})$	$\sqrt{\int i^2 \, dt} / (2 \times 10^{-3})$

The maximum value in Table F.3 gives the value U_{oc} (CWG), the equivalent value of U_{oc} of the CWG corresponding to the output of the SPD.

As soon as the downstream SPD has been tested according to the class III tests with a CWG having a no-load voltage $U_{oc \, test}$ (or an equivalent CWG in case of class II tests), it is possible to say immediately if the coordination is satisfactory. It is sufficient to check that $U_{oc \, test} > U_{oc \, CWG}$.

The value at the output of the SPD, for a given stress at the input, has to be calculated by using simulation software. It does not need to be calculated each time as such values may be calculated by the manufacturer. For each product, the manufacturer may calculate the output equivalent CWG impulse for a given stress (I_{imp} for class I tests or I_{max} for class II tests or $U_{oc \, max}$ of the CWG for class III tests) taking care both of the tolerances on the SPD characteristics and any blind spot (sometimes the most important stress at the output of the SPD is not given by the maximum values I_{imp} , I_{max} and $U_{oc \, max}$ but for lower values).

Annex G (informative)

Examples of application

NOTE This annex presents hypothetical systems for domestic and industrial facilities as well as for a radio tower application in which SPDs are installed. This annex is intended to provide information about the selection of SPDs in limited situations to illustrate the application principles contained in this standard. It is not intended to address the unique aspects of the conditions that exist in all facilities or systems.

G.1 Domestic application

MV network: overhead line 10 km.

LV (230/400 V) network: overhead line 1 000 m; underground cable 200 m.

N_g : 2 strikes/km²/year (see 4.1.1).

Location of the structure to be protected: on a flat area.

Structure of the electric installation: installation protected by an RCD type S at the entrance (withstand 3 kA 8/20, see 6.2.4.3). The short-circuit current capability at the entrance of the installation is 3 kA. There is a main electrical board at the entrance of the house (ground floor) and one subsidiary electrical board on the first floor.

Earthing of the structure to be protected: 50 Ω.

Earthing system of the LV network: TT system. One phase and neutral distributed.

Nature of devices to be protected: electronic washing machine, computer, alarm at the entrance, video tape recorder and TV set, etc.

Due to the risk analysis (see Clause 7) it is probable that there is some interest in using SPDs (high value of N_g , overhead lines both on MV and LV side of the transformer, electronic devices, etc.).

Due to the overhead lines medium lightning currents are expected \Rightarrow nominal discharge current (I_n) \geq 5 kA 8/20 per wire at the entrance.

At the entrance, an alarm is to be protected (sensitive equipment) $\Rightarrow U_p \leq 1,5$ kV. This may be achieved by a one-port SPD (see 3.25) tested by class II tests with $U_p=1,5$ kV.

At the entrance, the short-circuit current capability is 3 kA r.m.s. \Rightarrow short-circuit withstand of the SPD \geq 3 kA r.m.s. (see 5.5.4). For this the manufacturer recommends use of a fuse or the short-circuit breaking characteristics of an RCD circuit-breaker (back-up protection). If an RCD type S circuit-breaker is used at the entrance, the continuity of service is not assured for incoming surges in excess of 3 kA 8/20.

No additional protection against indirect contact is needed due to the presence of the RCD. A thermal disconnecter is incorporated in the SPD itself (see 6.3.1).

As it is a TT system and in order to avoid too high a stress between phase and neutral: it is recommended that an SPD having three modes of protection be used (phase to neutral, neutral to earth and phase to earth; see 6.1.1).

The other devices to be protected need only protection between phase and neutral as the earth is not connected to them, except the washing machine where the earth is present for

safety purposes. In this case, protection between phase and earth and neutral and earth may be necessary.

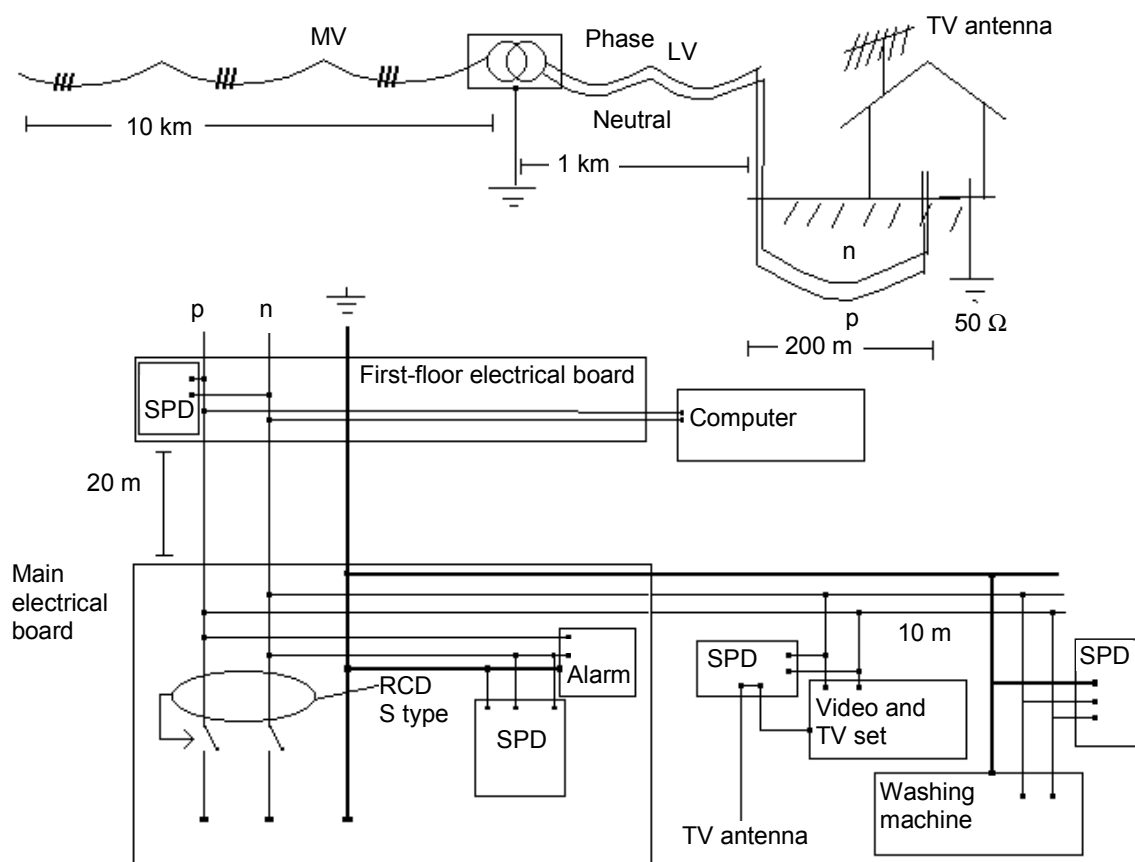
NOTE Additional protection may be necessary if the TV antenna is earthed.

As the distance between the SPD at the entrance and the other devices, especially on the first floor, is high (10 m and 20 m respectively), other SPDs are necessary close to the devices to be protected (6.1.2). One should be located close to the washing machine and another one close to the video tape recorder and TV set. Another one is connected at the first-floor electrical board but could be connected direct on the computer plug as well (distance is small between this panel and the computer).

The other SPDs should see a lower surge current. Also $I_n = 2$ kA class II tests is sufficient. $U_p = 0,8$ kV is then proposed in the manufacturer's catalogue.

The distance of 20 m is sufficient to provide decoupling between the SPD located at the entrance and the first-floor one. But the 10 m between the entrance SPD and the other ground-floor SPDs is not sufficient to provide adequate decoupling due to the low value of $U_p = 0,8$ kV (see 6.2.6). It is then better to choose another SPD with $U_p = 1,5$ kV, for example, for the other ground-floor SPDs.

For these SPDs, the short-circuit current at their location is low and the manufacturer has incorporated the necessary disconnectors (thermal and short-circuit). See Figure G.1.



IEC 374/02

Figure G.1 – Domestic installation

G.2 Industrial application

MV network: overhead line 10 km

LV (230/400V) network: underground cable 2 runs of 100 m

$N_g = 0,5$ strikes/km²/ year (See 4.1.1)

Location of the structure to be protected: on a flat area

Structure of the electrical installation:

MV/LV transformer inside the main building (MB)

LV TN-C power distribution system feeding a three phase main distribution board MDB at the Main Building MB. A TN-C system supplies three phase power to a separate buildings B1, and a TN-C-S system supplies three phase power to building B2. Both B1 and B2 are located some 100 m from building MB.

Equipment to be protected:

Main building MB – power supply (MV/LV transformer) industrial manufacturing plant including air conditioning plant, factory lighting, industrial motor controllers, variable speed drives and computer numerically controlled (CNC) lathes.

Building B1 – general office equipment including, photocopiers, facsimiles, local area computer network, telephone switchboard (PABX) located close to DB1.

Building B2 – process and control equipment including, programmable logic controllers (PLC) for plant management, supervisory control and data acquisition (SCADA) system, weight bridge equipment, monitors, generally located some 50 m away from DB2.

Earthing of the structures: earthing for buildings MB is measured to be 11 Ω and local earth for buildings B1 and B2 are 49 Ω and 51 Ω respectively each given a total earthing system resistance of approximately 7 Ω when connected by the TNC PE conductor. There is an Equipotential Bonding bar EB, EB1 and EB2 in each of buildings MB, B1 and B2 respectively.

Risk Analysis (see Clause 7): The facility is reasonably unexposed to direct strike lightning influence but the MV/LV transformer itself may need to be protected on the MV side using MV arrestors (because of the use of MV overhead line with an inherently high exposure). Surge currents can still flow through the local earthing system due to transformer's earth potential rise, and LV SPDs are necessary at the LV side of the transformer as well as at the entrances to buildings B1 and B2.

Protection philosophy: A risk analysis would typically classify the need for continuous operations of such an industrial facility to be of a 'critical nature'. As such, distributed surge protection should be used throughout the facility to provide primary point-of-entry protection at the main distribution board MDB, as well as at the separate distribution boards DB1 and DB2 in each of buildings B1 and B2.

Main Building – SPDs are connected inside the main distribution board between each phase and the main equipotential bonding bar EB. These LV SPDs should be tested in accordance with test Class II. For example a nominal discharge current I_n of 10 kA (same rating as the MV arrester) with a voltage protective level $U_{p1} \leq 1,2$ kV, may be used in this location to ensure coordination with the additional SPDs used downstream, see below.

The short circuit withstand (and the follow current interrupting rating in case of switching type SPD) of the SPDs needs to be coordinated with the prospective short circuit current at the MDB. This can be achieved using disconnectors which may either be external series connected over-current devices specified by the manufacturer (such as fuses, circuit breakers...), or internal to the SPD.

There are various types of equipment inside the building with different voltage withstand capability including sensitive equipment (withstand voltage $U_w = 1,5$ kV according to IEC 60664-1). The equipment is located 30 m away from the SPD installed at the facility entrance. This could then result in oscillations (see 6.1.4).

In such a case, the voltage level of the equipment may be a maximum of $2 * U_{p1}$, U_{p1} being the protective level of the entrance SPD. In this example, which describes a worst case scenario U_{p1} should be lower than $1,5$ kV*0,8/2 (i.e. 600 V), according to 6.1.4. Due to possible TOVs such a low protection level may increase the probability of failure of this SPD and one may prefer to select an entrance SPD having a higher U_p (less sensitive to TOVs) for example $U_{p1} = 2,5$ kV. In such a case an additional SPD with $U_{p2} \leq 1\ 200$ V ($0,8 * U_w$), is required in front of the equipment (Eq). The division by 2 is no longer necessary due to the close proximity to the sensitive equipment.

If an SPD of a lower U_{p1} is used ($U_{p1} \leq 600$ V), the second SPD is not necessary. This process addresses the voltage withstand U_w of the equipment (insulation coordination).

Lower voltage protection level U_p (either U_{p2} if two SPDs are used or U_{p1} if a single SPD is used) may be necessary to avoid malfunction of equipment (see note on 6.1.4, consideration of impulse immunity).

The lead length connecting SPD1 to the EB doesn't meet criteria from 6.1.3. For that reason, an additional conductor between SPD1 and PEN is used. The lead length connecting SPD2 to PEN meets criteria from 6.1.3 so no additional conductor is used.

Protection of data and control circuit is based on IEC 61643-22.

Building 1 – Given that the distance of B1 from the MB is 100m, test class II SPDs (SPD3) should be connected between each phase and the equipotential bonding bar. Assume that a nominal discharge current I_n of 5 kA and a voltage protective level $U_p \leq 1$ kV is used in this location (≤ 1 kV is needed due to sensitive equipment installed in B1. As the building is small and the equipment is located close to DB1 there is no need to take care of voltage doubling effect, see 6.1.4). This addresses voltage withstand U_w of the equipment (insulation coordination). Lower voltage protection level U_p may be necessary to avoid malfunction of equipment.

The lead length connecting SPD3 to the EB1 meets criteria from 6.1.3 so no additional conductor is used.

Protection of data and control circuit is based on 61643-22.

Building 2 – As with B1, B2 is located some 100m from the MB and SPDs (SPD4) should be connected between each phase and the PE conductor/bar PEN conductor/bar. These LV SPDs should be tested in accordance with test Class II. Assume that a nominal discharge current I_n of 5 kA and a voltage protective level $U_p \leq 1,2$ kV is used in this location.

There are various types of equipment inside the building with different voltage withstand including sensitive equipment (withstand voltage $U_w = 1,5$ kV according to IEC 60664-1). The equipment is located 50 m away from the entrance SPD. This could result in oscillations (see 6.1.4). In such a worst case scenario the voltage level at the equipment will be a maximum of $2 * U_{p1}$, U_{p1} being the protective level of the entrance SPD. According to 6.1.4 U_{p1} should be

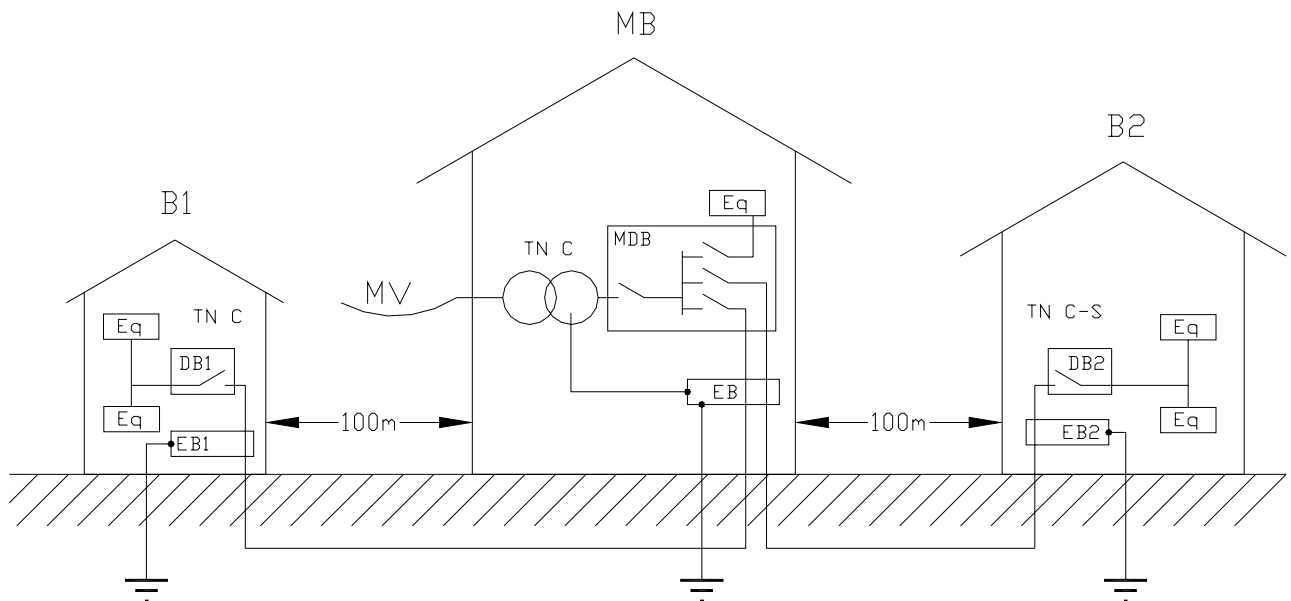
lower than $1,5\text{kV} \cdot 0,8/2$ (i.e. 600 V). Consideration on TOV applies as in Building 1. The entrance SPD (SPD4) may have a U_{p1} as high as 1,2 kV. In such a case an additional SPD (SPD5) with U_{p2} lower or equal to 1200 V ($0,8 \cdot U_w$), is necessary in front of the equipment Eq. If a lower U_{p1} is used ($U_{p1} \leq 600$ V) the second SPD is not necessary. This process addresses the voltage withstand U_w of the equipment (insulation coordination). Lower voltage protection level U_p (either U_{p2} if two SPDs are used or U_{p1} if a single SPD is used) may be necessary to avoid malfunction of equipment (see note on 6.1.4).

If an additional SPD is needed close to the portable equipment (SPD5) it should provide protection between each phase and neutral and between neutral and PE. This is required to cover the risk of a potential rise in the neutral conductor, resulting from the equipment being 50 m away from the neutral-PE bond in DB2 – see Figure K.5.

The lead length connecting SPD4 to EB2 and the lead length connecting SPD5 neutral to PE meet criteria from 6.1.3 so no additional conductors are used.

Protection of data and control circuit is based on IEC 61643-22.

See Figures G.2 and G.3.

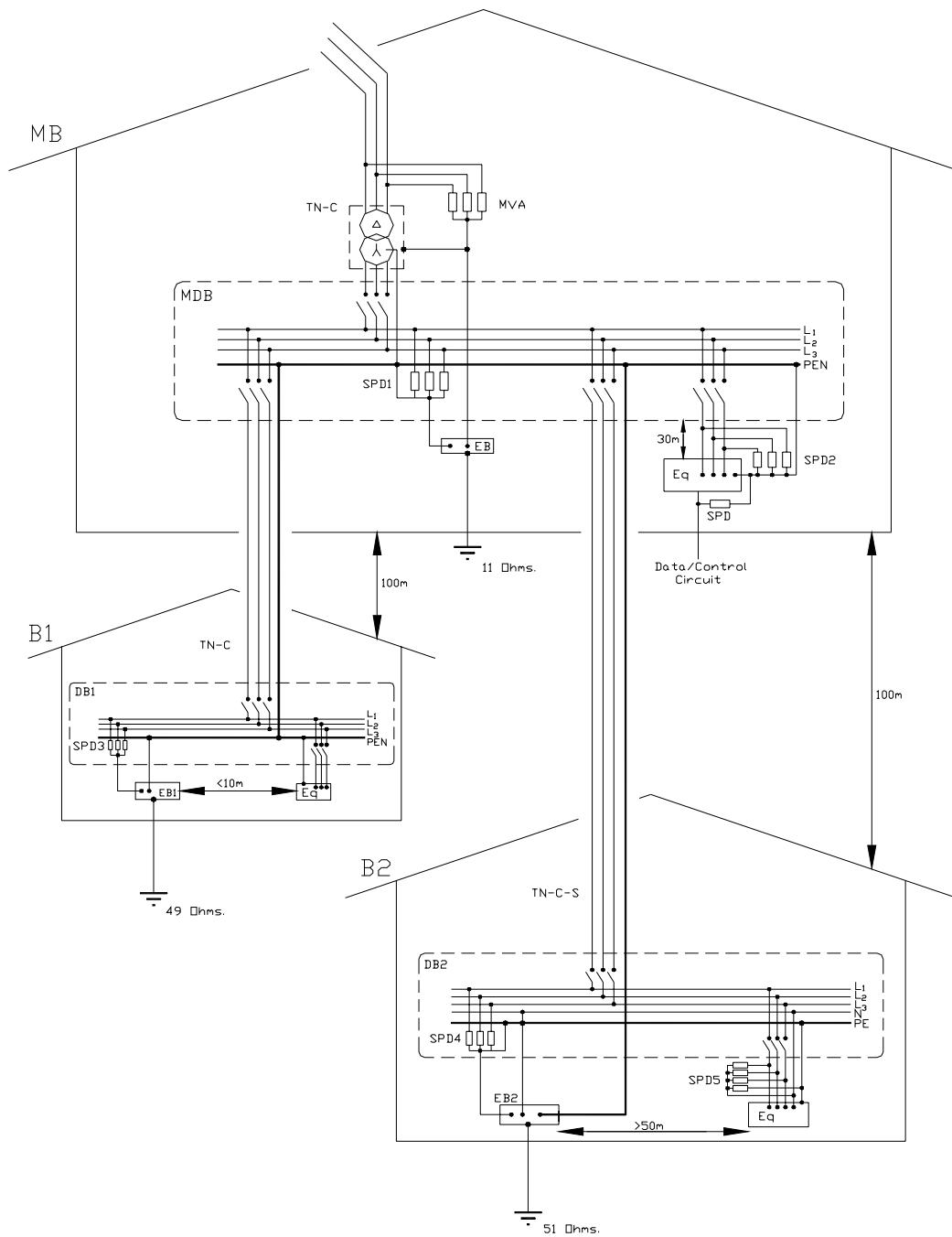


Key

B1, B2	Building 1, 2
MB	Main building
EB	Equipotential bonding bar
MDB	main distribution board
DB	distribution board
Eq	Load equipment

IEC 1934/08

Figure G.2 – Industrial installation



IEC 1935/08

Key

- B1, B2 Building 1, 2
- MB Main building
- EB Equipotential bonding bar
- MDB Main distribution board
- Eq Load equipment
- PB Panel board
- MVA Medium voltage surge arrester

Figure G.3 – Circuitry of industrial installation

G.3 Presence of a lightning protection system

Radio tower equipped with a lightning protection system

MV network:	overhead line 10 km
LV network:	overhead line 500 m
N_g :	6 strikes/km ² /year
Location of the structure to be protected:	on the top of a hill
Structure of the electric installation:	the neutral is grounded at the bottom of the hill

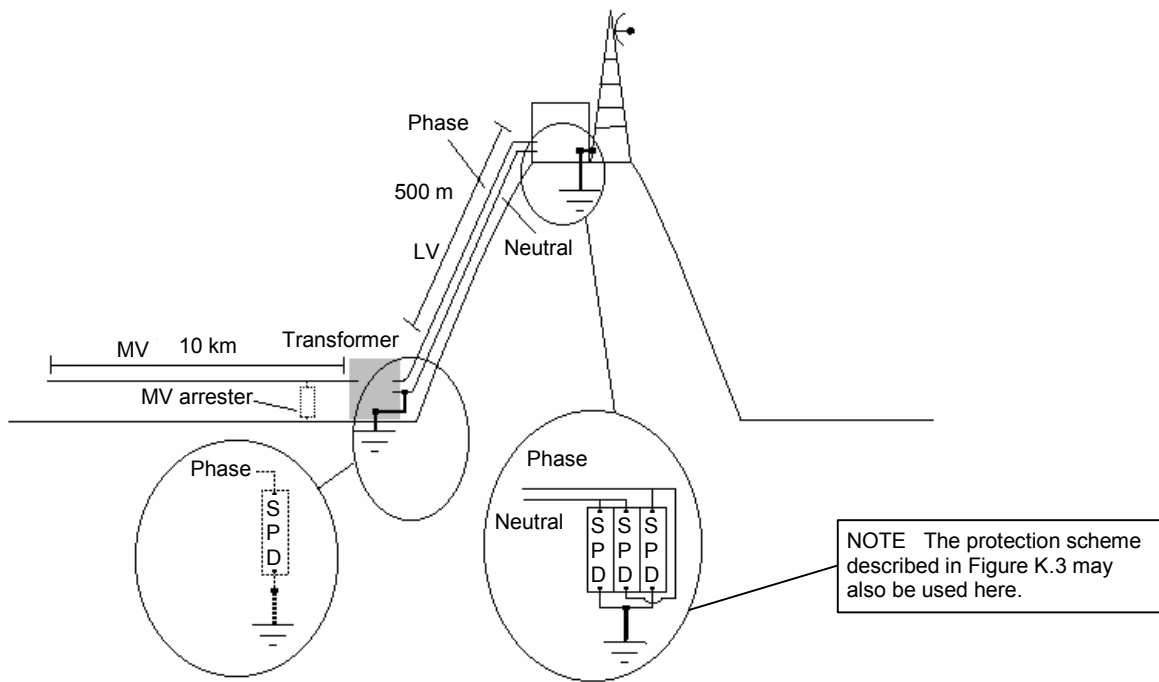
Equipment grounded to the local protective earth

Earthing of the structure to be protected:	10 Ω
Earthing of the MV/LV transformer:	10 Ω
Earthing system of the LV network:	TT system; one phase and neutral distributed
Nature of devices to be protected:	electronic equipment

Due to the critical nature of the installation (risk analysis, see Clause 7) it is necessary to use SPDs tested according to test class I. SPDs are connected between phase and the local earth, between neutral and the local earth and between phase and neutral. As calculation for sharing of current has not been carried out, these SPDs should be tested according to test class I and have a current capability of 25 kA as they will have to discharge a significant portion of the direct lightning current striking the tower (See Annex D). Another SPD with the same current ratings may be used at the opposite side of the overhead line to protect the transformer. The protective level of the SPD close to the sensitive equipment should be lower or equal to 1,5 kV for example (lower values may be necessary to cover impulse immunity) and the SPD close to the transformer may have a protective level of up to 6 kV (typical transformer insulation withstand based on insulation coordination).

It may also be necessary to use an SPD on the MV side of the transformer. This is addressed in IEC 60099-5.

See Figure G.4.



IEC 377/02

Figure G.4 – Example for a lightning protection system

Annex H (informative)

Examples of application of the risk analysis

The simplified risk analysis method described in IEC 60364-4-44 is described below. There are basically two cases:

- Where an installation is supplied by or includes an overhead line and the keraunic level of the location is greater than 25 days per year, SPDs at the entrance of the installation shall be provided.
- Where one of the above conditions is not fulfilled (for example keraunic level lower than 25 or underground cables), there are different levels of consequences to consider:
 - A* Consequences related to human life (direct influence of lightning on life, e.g. safety services, medical equipment in hospitals)
 - B* Consequences related to public services (loss of service to a great number of people or loss of national heritage, e.g. IT centres, museums)
 - C* Consequences to commercial or industrial activity (loss of production, economic losses ..., e.g. hotels, banks, industries, commercial markets, farms)
 - D* Consequences to groups of individuals (with no direct impact of the lightning on safety of people, e.g. large residential buildings, churches, offices, schools)
 - E* Consequences to individuals (with no direct impact of the lightning on safety of people, e.g. residential buildings, small offices)

For the level of consequences *A* to *C* SPDs at the entrance of the installation shall be provided.

For the level of consequences *D* and *E* the requirement for protection depends on the result of a calculation. The calculation shall be made using the following formula for the determination of the conventional length *d*.

Protection is recommended if:

$$d > d_C$$

d is the conventional length in km of the supply line of the considered structure with a maximum value of 1 km. This distance is related to the first node i.e. where the systems splits in at least two ways thus reducing the stress. An SPD located at a junction box is also considered as a node.

d_C is the critical length;

d_C in km is equal to $\frac{1}{N_g}$ for level of consequences *D*;

and equal to $\frac{2}{N_g}$ for level of consequences *E*.

where *N_g* is the frequency of flashes per km² and year;

NOTE 25 thunderstorm days per year are equivalent to a value of 2,24 flashes per km² and year. This is derived from the formula

$$N_g = 0,04 T_d^{1,25}$$

where

T_d is the number of thunderstorm days per year.

$$d = d1 + d2/4 + d3/4$$

By convention d is limited to 1 km,

$d1$ = Length of the LV overhead supply line to the structure, limited to 1 km

$d2$ = Length of the LV underground not screened line of the structure, limited to 1 km. Factor 4 is used to take into account damping effect of the underground cable. At the overhead-underground junction it is common to use SPDs and this may decrease the stress by more than the ratio 4.

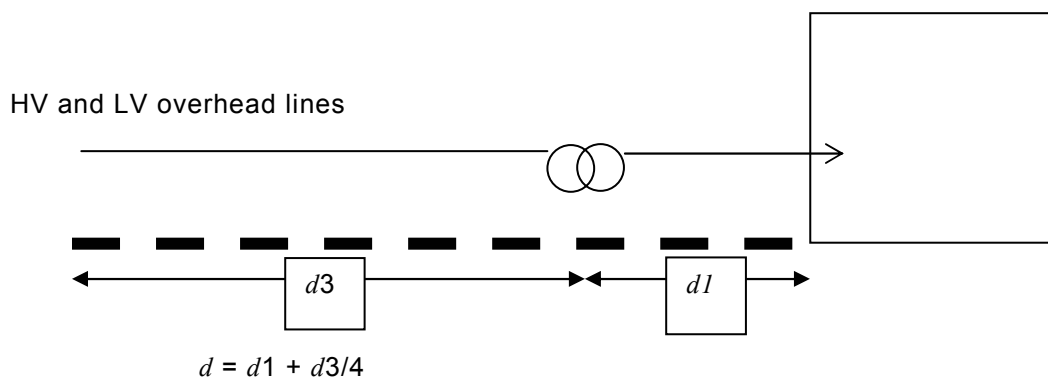
$d3$ = Length of the HV overhead supply line of the structure, limited to 1 km. Factor 4 is used to take into account reduction effect of transformer. This is based on tests made on a few real transformers and may be considered as conservative for most of the transformers.

The length of an HV underground supply line is neglected.

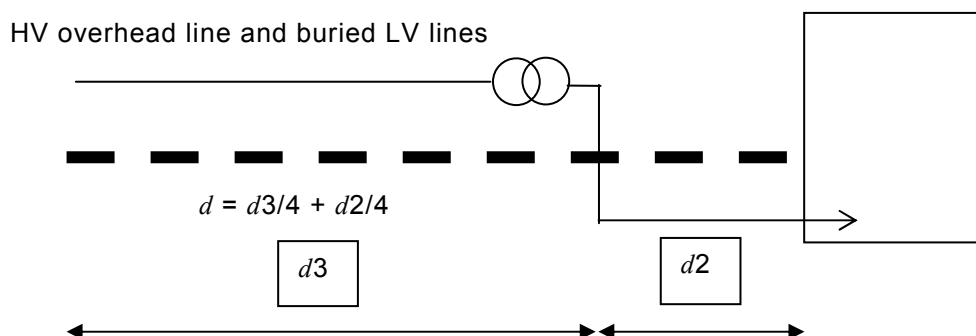
The length of a screened LV underground line is neglected.

Example of determination of d and application of this method is given below.

In following figures the bold dotted line represents ground level. What is above the line is overhead and what is below is underground. The box is representing the considered structure. The transformer if any is represented by the two circles symbol.

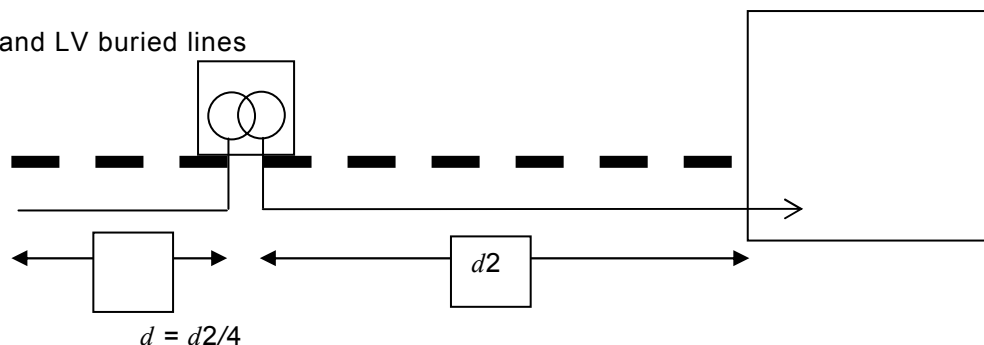


Building considered is supplied by a LV overhead line and a HV transformer is less than 1 km from the building.

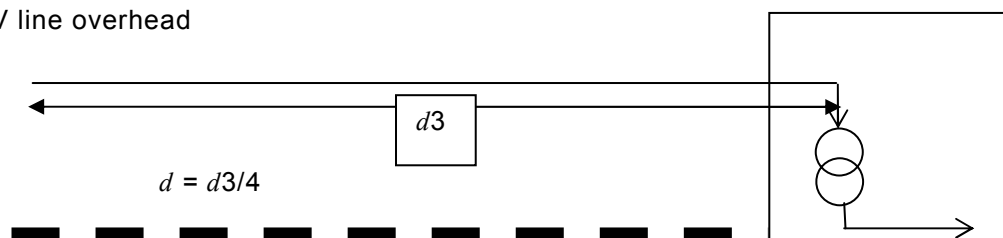


Building considered is supplied by a LV underground cable and a HV transformer is less than 1 km from the building.

HV and LV buried lines



HV line overhead



Building considered is supplied by a HV overhead line supplying a HV transformer located inside the building.

Example 1: museum. This is supplied by an underground cable 500 m long connecting an upstream HV/LV transformer to the museum electrical installation entry point. Keraunic level is 20.

In spite of use of underground cable and keraunic level below 25, SPD is recommended because level of consequence is *B*.

Example 2: private house supplied by an overhead line 200 m long connecting the HV/LV transformer to the electrical installation entry point. Keraunic level is 27.

Due to the conjunction of overhead LV line and keraunic level greater than 25, SPDs are recommended.

Example 3: school in an area where keraunic level is 20 (this corresponds to $N_g = 1,7$). Supply is made from a HV transformer located directly inside the building and the overhead HV line is 750 m long. Level of consequence is *D*.

Keraunic level being lower than 25 use of SPD need to be assessed by calculation of conventional length d

$$d = 0 [d1] + 0 [d2/4] + 0,1875 [d3/4]$$

$$dc = 0,59 [1/N_g]$$

d is lower than dc so SPDs may not be required.

Example 4: church in an area where keraunic level is 20 (this correspond to $N_g = 1,7$). A 500 m long overhead line connect the HV transformer to the church electrical installation entry point. The HV overhead line is 2 km long. Level of consequence is *D*.

Keraunic level being lower than 25 use of SPD need to be assessed by calculation of conventional length d

$$d = 0,5 [d1] + 0 [d2/4] + 0,25 [d3/4, d3 \text{ limited to } 1 \text{ km}] = 0,75$$

$$dc = 0,59 [1/Ng]$$

d is greater than dc so SPDs are recommended.

Example 5: small office in an area where keraunic level is 20 (this correspond to $Ng = 1,7$). The distances are not known. Level of consequence is E .

Keraunic level being lower than 25 use of SPD need to be assessed by calculation of conventional length d . As distances are unknown, the worst case scenario is to be used e.g. $d1 = 1 \text{ km}$, $d2 = 1 \text{ km}$ and $d3 = 1 \text{ km}$

$$d = 1 [d1] + 0,25 [d2/4] + 0,25 [d3/4] = 1,5 \text{ which is then limited to } 1 \text{ according to the rule (1 km maximum)}$$

$$dc = 0,59 [1/Ng]$$

d is greater than dc so SPDs are recommended.

Annex I (informative)

System stresses

NOTE This annex expands upon the text of Clause 4 of this standard. Where the information relates to a specific subclause, this is identified as [xxx] below.

I.1 Lightning overvoltages and currents [4.1.1]

I.1.1 Aspects of the power distribution system that affect the need for an SPD

Clause 443 of IEC 60364-4-44 indicates that, if the installation is supplied by an underground cable or if it is supplied by an overhead line when the keraunic level is below 25, there is no need to use an SPD unless the acceptable risk based on the utilization of the installation is exceptionally low.

These guidelines are based on certain assumptions about the average installation. If factors specific to the installation being considered are unusual, there may be a greater need for surge protection. Some of these factors are considered in I.1.1.1 and I.1.1.2.

Risk analysis, based on the probability of incoming surges and the economic balance between protection and consequences, should be performed.

Clause 443 of IEC 60364-4-44 is under revision concerning risk analysis.

I.1.1.1 Lightning activity

The most useful figure to use in determining the risk of lightning stressing an installation is the local ground flash density, N_g . However, if N_g is not known, a crude estimation can be found from the keraunic level (N_k , number of thunderstorm days per year, obtained from isokeraunic maps) in the area, using the simplified formula $N_g = 0,04 \times N_k^{1,25}$.

N_g provides highly localized information on lightning activity allowing an accurate assessment of the risk both at a specific location and along the route of any incoming services. It also takes into account variation due to the time of year and the magnitude of the surge. These are factors that are not included in the determination of N_k . Hence, a value of $N_k = 25$ cannot be used, on its own, to determine the need of an SPD.

I.1.1.2 Exposure of installation

Even where the supply is provided by an underground cable, this cable is not always sufficient to protect the installation, especially in the case of a direct or nearby lightning strike which is not considered in Clause 443 of IEC 60364-4-44. This is why the supply by an underground cable cannot be used, on its own, to determine the need for an SPD.

I.1.2 Sharing of surge current within a structure

Figure I.1 shows a typical example of the sharing of the surge current in the case of a direct strike to the structure. For further information, see Annex D.

NOTE 1 The lightning impulse current combines two key parameters. The first is the fast rise time which is useful for determining the voltage value due to inductive effects. The second is the long duration which essentially refers to the energy in the stroke. High-frequency effects are not present in this later period, allowing ohmic resistance to be used for calculation of current distribution.

Where an individual evaluation (by calculation, for example) is not possible, it can be assumed that 50 % of the total lightning current (I) enters the earth termination of the

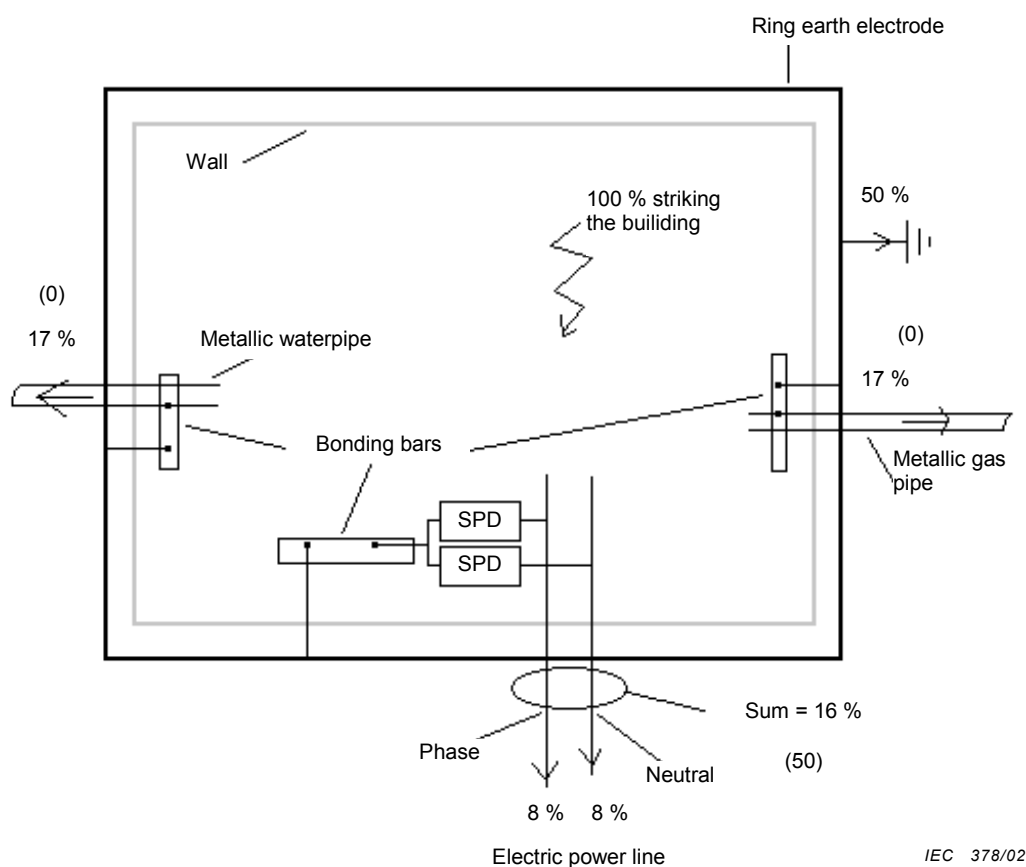
lightning protection system of the structure considered. The other 50 % of current (I_s) is distributed among the services entering the structure, such as external conductive parts, electrical power and communications lines, etc. The value of the current flowing in each service (I_i) can be estimated by using $I_i = I_s / n$, where n is the number of services.

For evaluating the current in individual conductors, called I_v , in unshielded cable, the cable current I_i is divided by the number of conductors m , $I_v = I_i / m$.

In the case of shielded cable, both ends shall be bonded to earth directly or via an SPD. In this case, the main part of the cable lightning current will flow in the shield (typically 50 %) and a lower part of the current will flow through the inner conductors. In all cases SPDs should be installed as close as possible to the screen bonding point.

NOTE 2 The SPD's preferred value of I_{peak} or I_{max} corresponds to I_v .

NOTE 3 Direct lightning to overhead lines may be considered in a similar way.



NOTE Values in brackets are used when no metallic pipes are present.

Figure I.1 – Example of diversion of lightning current into the external services (TT system)

This figure shows a typical case in which 50 % of the total current is flowing through the earthing of the structure and 50 % is flowing through the external services.

I.2 Switching overvoltages [4.1.2]

For more information on stresses caused by switching surges refer to C.3.

I.3 Temporary overvoltages U_{TOV} [4.1.3]

The temporary overvoltage generated by faults in the LV system can be defined by two factors:

- k_1 is the ratio of the maximum voltage to the nominal system voltage. k_1 is normally in the range of 1,05 to 1,1. This covers normal regulation of the voltage level.

$$U_{CS} = k_1 \times U_0$$

- k_2 is the maximum magnitude of the power system overvoltage which occurs above the U_{CS} of the power system. The voltage on the unfaulted phase can vary from about 1,25 to a theoretical value of $\sqrt{3}$ for a fault on a three-phase low-voltage system.

NOTE 1 In single-phase, three-wire (split-phase) systems k_2 can be as high as 2.

The total temporary overvoltage can be expressed as:

$$U_{TOV(LV)} = k_1 \times k_2 \times U_0 = k_2 \times U_{CS}$$

NOTE 2 Temporary overvoltages are usually caused by events such as faults on the low-voltage distribution supply system, capacitor switching and motor stopping and starting. These overvoltages are of a short duration. Those caused by faults on the three-phase supply system exist for a period of time of less than 0,05 s up to a maximum of 5 s. Single-phase motor starting, with a poor neutral connection, can cause excessive overvoltages for a period of time typically up to 5 s. Capacitor switching and voltage regulation should not produce overvoltages with a duration of longer than 5 s. Therefore, the temporary overvoltage time period is selected in this standard as 0,05 s to 5 s.

NOTE 3 In some networks it will be necessary to consider a short-term (lower than 5 s) temporary overvoltage of $U_0 + 1\,200$ V (see IEC 60364-4-44) due to a fault in the high-voltage system ($U_{TOV(HV)}$). Such high values of voltage may lead to a failure of the SPD. In such cases, appropriate testing shall be performed to ensure that this failure does not create any hazard for personnel or equipment or to the facility. This value of $U_0 + 1\,200$ V is the maximum value of temporary overvoltage for a maximum duration of 5 s. Depending on the type of earthing system of the low-voltage installation and of the high-voltage system, this value may exist or not (see Annex E). In addition, temporary overvoltages having a duration longer than 5 s are defined in IEC 60364-4-44 and may also lead to a failure due to this longer duration.

In this standard, TOVs generated by faults in the LV system are designated as $U_{TOV(LV)}$ and those generated by faults in the HV system as $U_{TOV(HV)}$.

On the basis of the formula given above, it is possible, in theory, to draw a curve of voltage versus time of the U_{TOV} in the network. In practice the actual values of U_{TOV} in the network, in particular at the place of installation of SPDs, are not always known. It is rather difficult in such cases to draw the above-mentioned curve as only a few typical points are known.

In general only standardized maximum values are known and the curve is then reduced to some points. Time values of particular interest for SPD selection are 200 ms and 5 s.

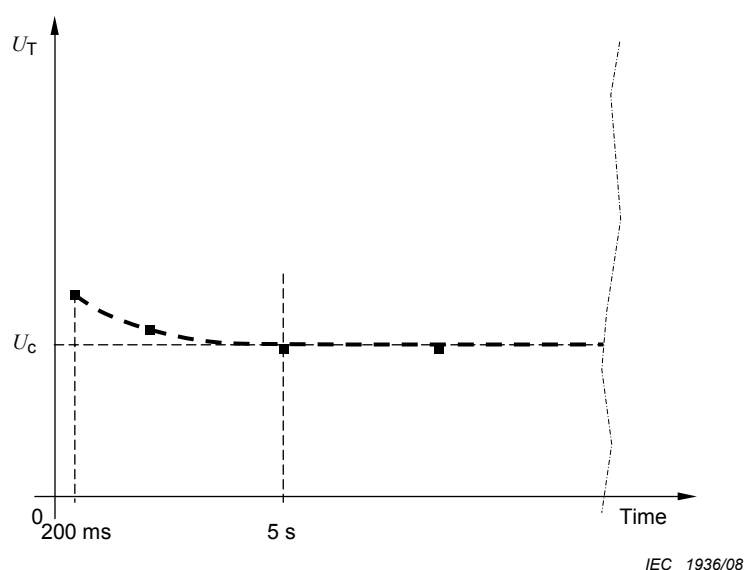
See Figure 4 for the maximum standardized values of U_{TOV} .

Annex J (informative)

Criteria for selection of SPDs

NOTE This annex expands upon the text of Clause 5 of this standard. Where the information relates to a specific subclause, this is identified as [xxx] below.

J.1 U_T temporary overvoltage characteristic [5.5.1.2]



NOTE Temporary overvoltages may have a duration of several seconds. Temporary overvoltages having a duration of more than 5 s are considered as permanent conditions for SPDs, for times above 5 s the curve corresponds to a constant value of U_C .

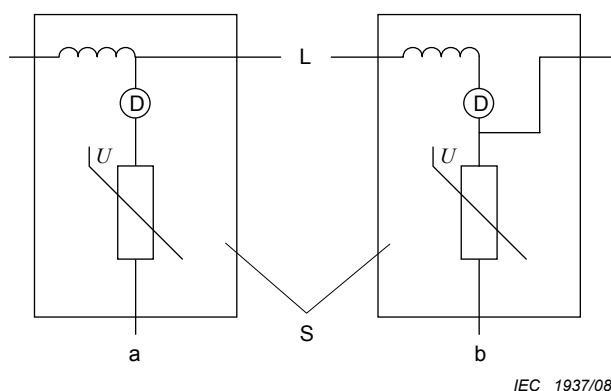
Figure J.1 – Typical curve for U_T of an SPD

J.2 SPD failure modes [5.5.4]

When an SPD enters a failure mode as discussed in 5.5.4, the effect of the failure mode on the installation needs to be considered.

If the failure mode of an SPD is an open circuit (provided by a non-linear component of the SPD itself or by an internal or external disconnecting device in series with the SPD and in shunt with the power supply), then continuity of power supply may be assured in the event of SPD failure. However, particular attention shall be paid to the ability of the SPD to disconnect before the back-up protection of the system operates. Coordination between the SPD disconnecter and the back-up protection shall then be carefully studied.

For two-port SPDs, or one-port connected in line with the mains, an internal disconnecter may or may not provide continuity of power depending on its location in the SPD as shown in case a) and b) respectively in Figure J.2.

**Key**

D Disconnector

S SPD

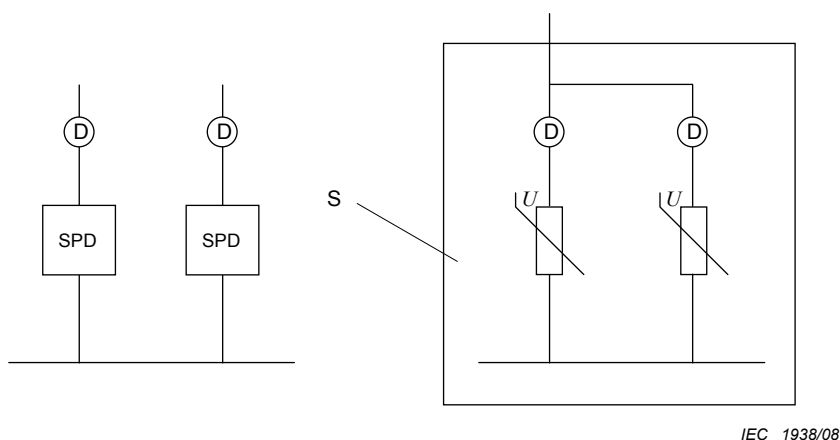
L Line

Figure J.2 – Internal disconnector in the case of a two-port SPD

The main feature of case a is that the equipment is still energized after operation of the disconnector. However, the equipment is no longer protected. If a fault indicator (remote and/or local) is not used to signal this disconnection then the user is not aware that the equipment is no longer protected and is therefore much more susceptible to incoming surges.

The main feature of case b is that the equipment is disconnected from the supply after operation of the disconnector but is also disconnected from the main source of surges.

In order to reduce the risk of loss of either protection or power due to disconnection, the use of parallel SPDs equipped with disconnectors is possible as shown in Figure J.3.



Key

D Disconnecter

S Complete SPD including two protective components (varistor) and two associated disconnectors

Figure J.3 – Use of parallel SPDs

If the failure mode of the SPD is a short circuit (provided either by the SPD itself or by an additional device) which trips the back-up protection, then the situation is similar to that in case b) above.

Unless a manufacturer declares a specific failure mode, it shall be assumed that the SPD is subject to all of the failure modes listed above. In order to get only one type of failure mode (short- or open-circuit condition), an additional device is generally employed (such as an overcurrent disconnector Figure J.3).

An indeterminate condition, which is a temporary state, can occur during failure of an SPD. In order to produce a determinate state (open or short circuit) further additional devices (such as a thermal disconnector) are required.

NOTE IEC 60364-4-41 describes the applicable safety rules.

Annex K (informative)

Application of SPDs

NOTE This annex expands upon the text of Clause 6 of this standard. Where the information relates to a specific subclause, this is identified as [xxx] below.

K.1 Location and protection given by SPDs [6.1]

K.1.1 Possible modes of protection and installation [6.1.1]

Figures K.1 to K.5 show alternative earthing options (see items 5a and 5b).

NOTE 1 The best practice is to use both options to maintain both low protection level and minimal stress on the installation, provided that the connections between the PE connection and the common earthing point of the SPDs are kept as short as possible.

An acceptable installation should address the following five steps.

NOTE 2 The following steps are primarily valid for fixed SPDs connected between line or neutral and earth. Other SPDs may require other rules.

- a) Determine the path of the discharge current.
- b) Identify the wires which cause an additional voltage drop on the equipment terminals (Figures K.6a and K.6b).

NOTE 3 In Figure K.6, U_{res} is the residual voltage for SPDs tested according to class I and II tests or more generally the limiting voltage.

- c) Arrange the routing of the conductors of each piece of equipment to avoid unnecessary induction loops, see Figure K.6c, Figure K.6d and Figure K.7.

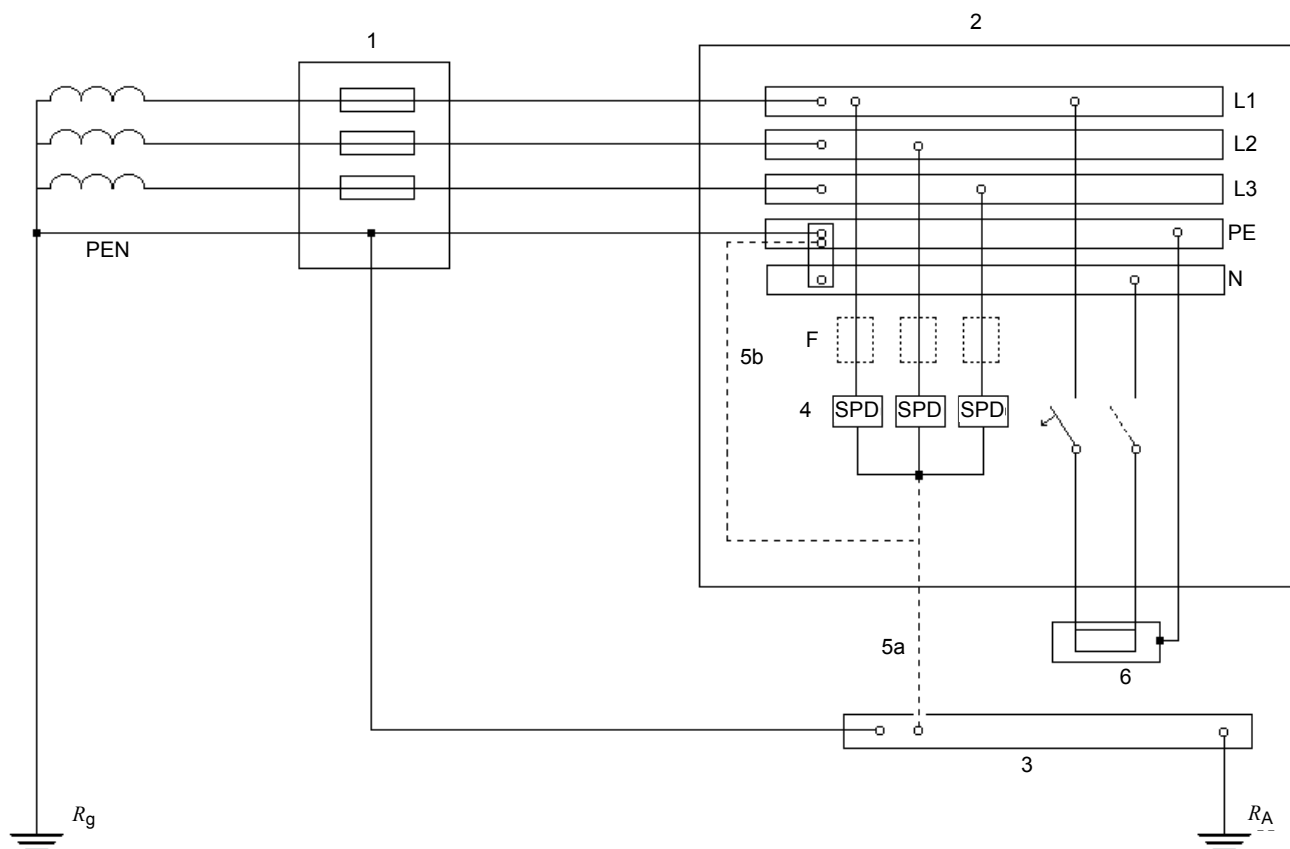
NOTE 4 If it is not possible to have a single earthing point, two SPDs are necessary as in Figure K.6d.

- d) Establish equipotential bonding between the equipment and the SPDs.
- e) Select the SPD in accordance with the coordination requirements.

Measures should be taken to limit inductive coupling between unprotected and protected parts of the installation. The mutual inductance can be reduced by separation of the inducing source and the victim circuits, limitation of loop areas and selection of the angle of the loops (see Figure K.7). When a current-carrying wire is part of the loop area, the induced voltage can be reduced by routing this wire close to the cable (see Figure K.7a).

In general, it is better to separate protected wires from those which are not protected. Measures should be taken to avoid cross coupling of transients between power and signalling cables (see Figure K.7b).

See Figure K.7 for some examples of acceptable SPD installation regarding EMC aspects.

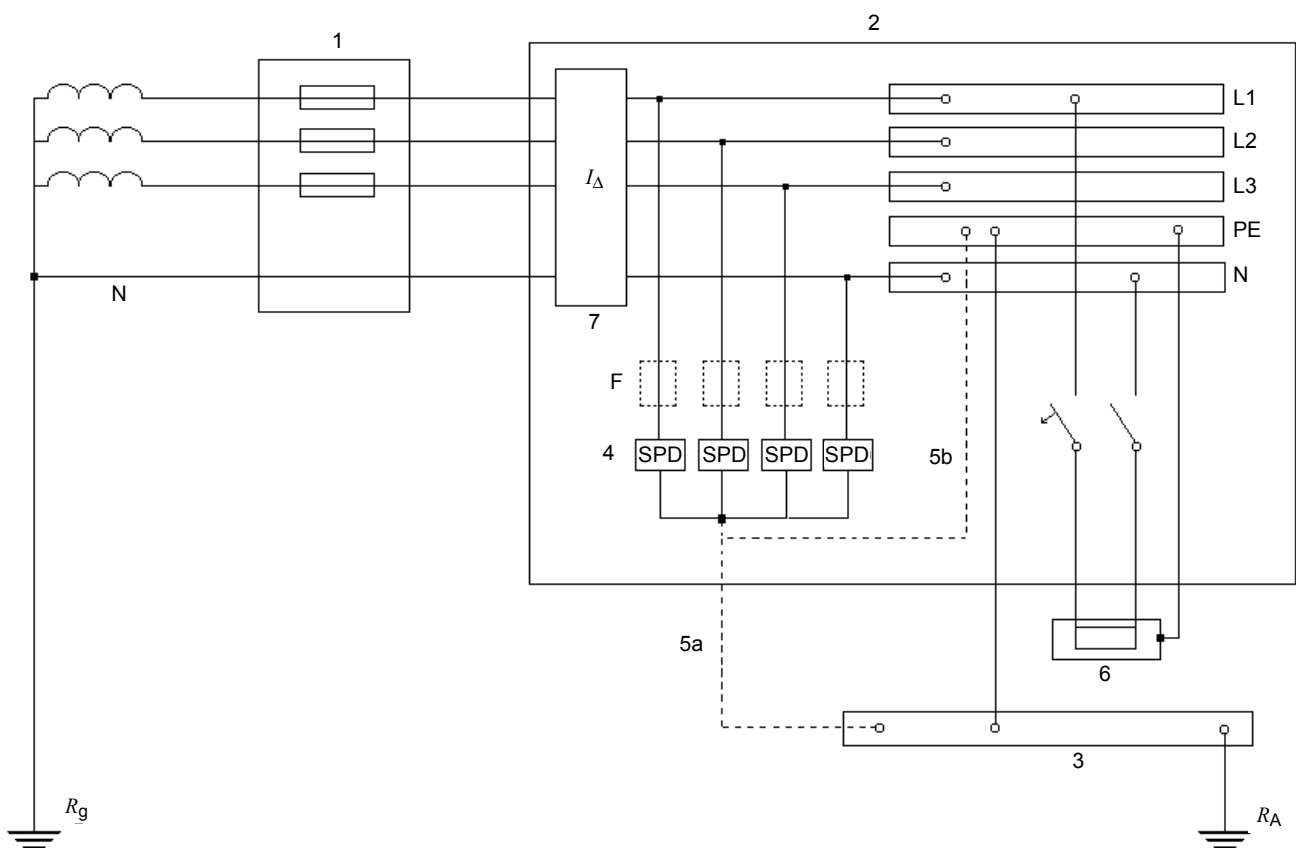


IEC 382/02

Key

- 1 Origin of the installation
- 2 Distribution board
- 3 Main earthing terminal or bar
- 4 Surge protective devices
- 5 Earthing connection of surge protective devices, either location 5a or 5b
- 6 Equipment to be protected
- F Protective device indicated by the manufacturer of the SPD (for example, fuse, circuit-breaker, RCD)
- R_A Earthing electrode (earthing resistance) of the installation
- R_g Earthing electrode (earthing resistance) of the supply system

Figure K.1 – Installation of surge protective devices in TN-systems

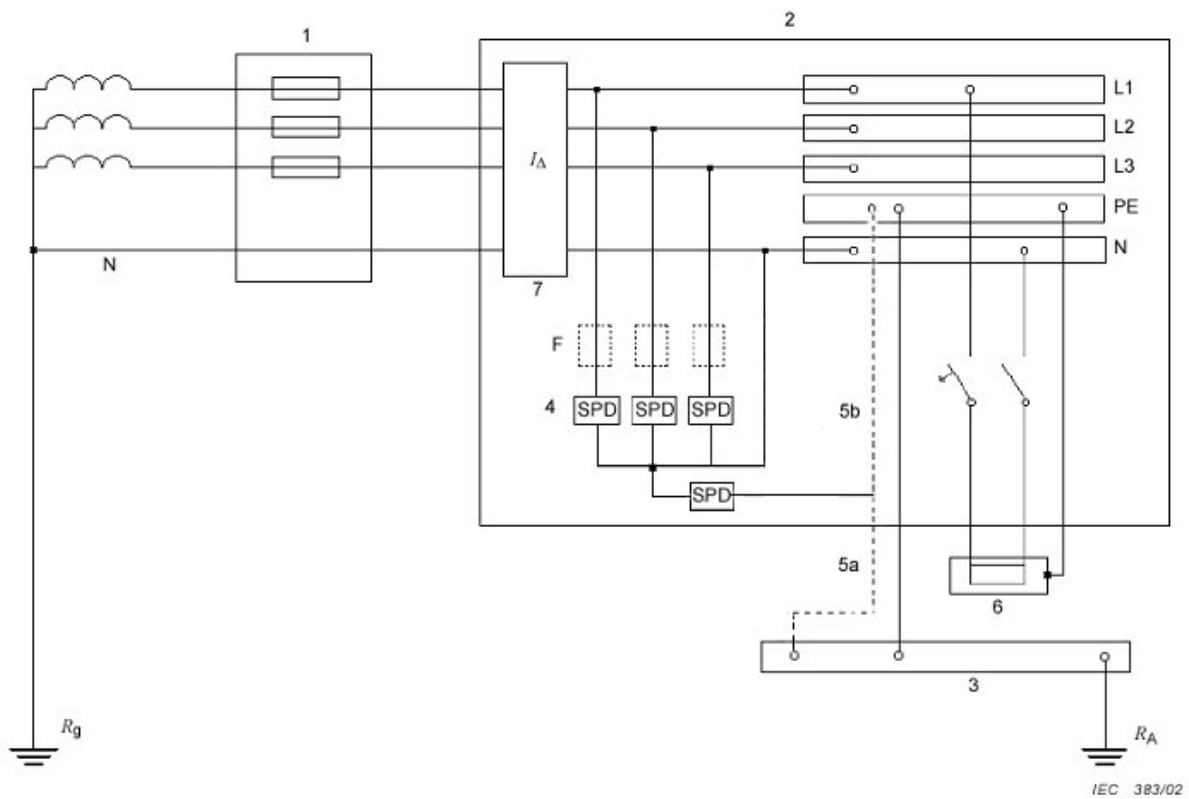


IEC 383/02

Key

- 1 Origin of the installation
- 2 Distribution board
- 3 Main earthing terminal or bar
- 4 Surge protective devices
- 5 Earthing connection of surge protective devices, either location 5a or 5b
- 6 Equipment to be protected
- 7 Residual current protective device (RCD)
- F Protective device indicated by the manufacturer of the SPD (for example, fuse, circuit-breaker, RCD)
- R_A Earthing electrode (earthing resistance) of the installation
- R_g Earthing electrode (earthing resistance) of the supply system

Figure K.2a – Connection Type 1

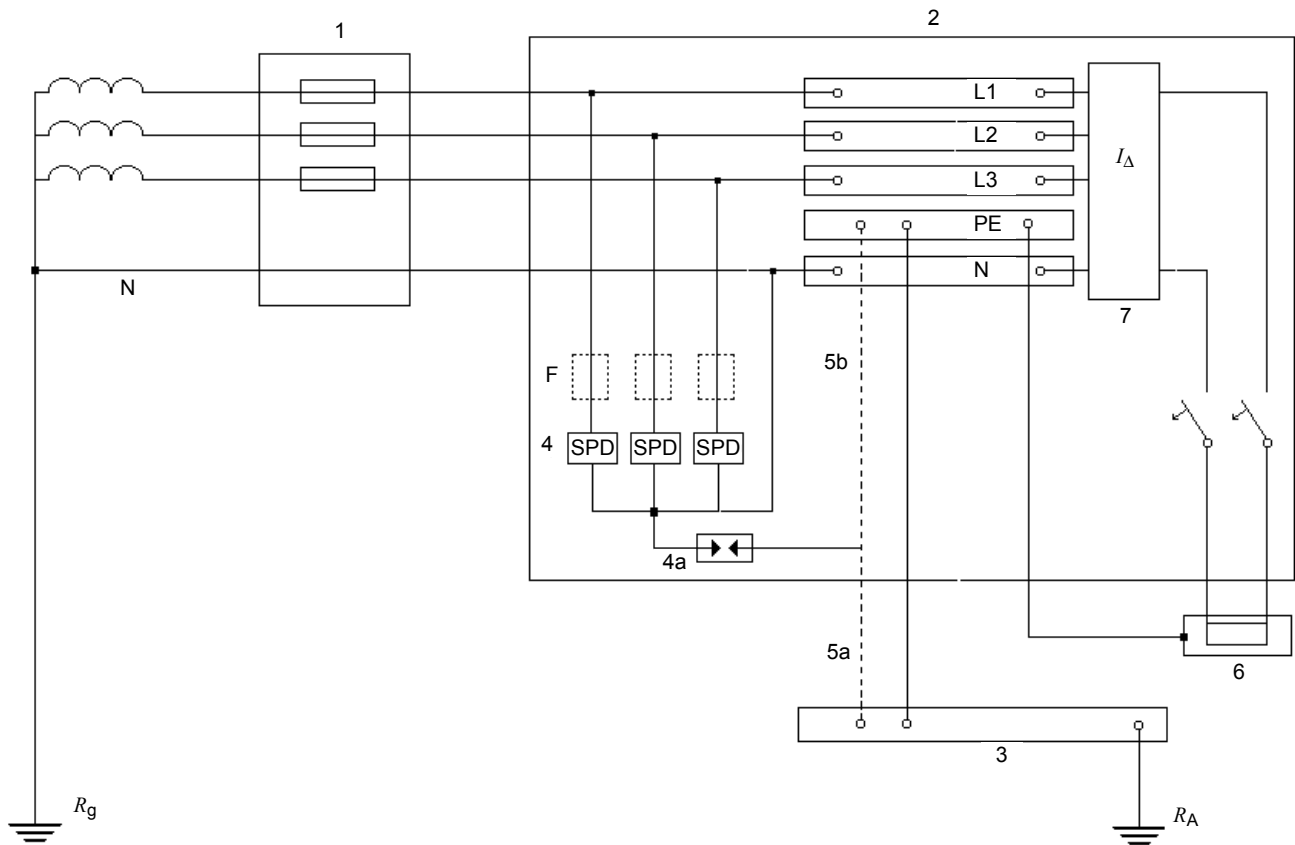


Key

- 1 Origin of the installation
- 2 Distribution board
- 3 Main earthing terminal or bar
- 4 Surge protective devices
- 5 Earthing connection of surge protective devices, either location 5a or 5b
- 6 Equipment to be protected
- 7 Residual current protective device (RCD)
- F Protective device indicated by the manufacturer of the SPD (for example, fuse, circuit-breaker, RCD)
- R_A Earthing electrode (earthing resistance) of the installation
- R_g Earthing electrode (earthing resistance) of the supply system

Figure K.2b – Connection Type 2

Figure K.2 – Installation of surge protective devices in TT-systems (SPD downstream of the RCD)

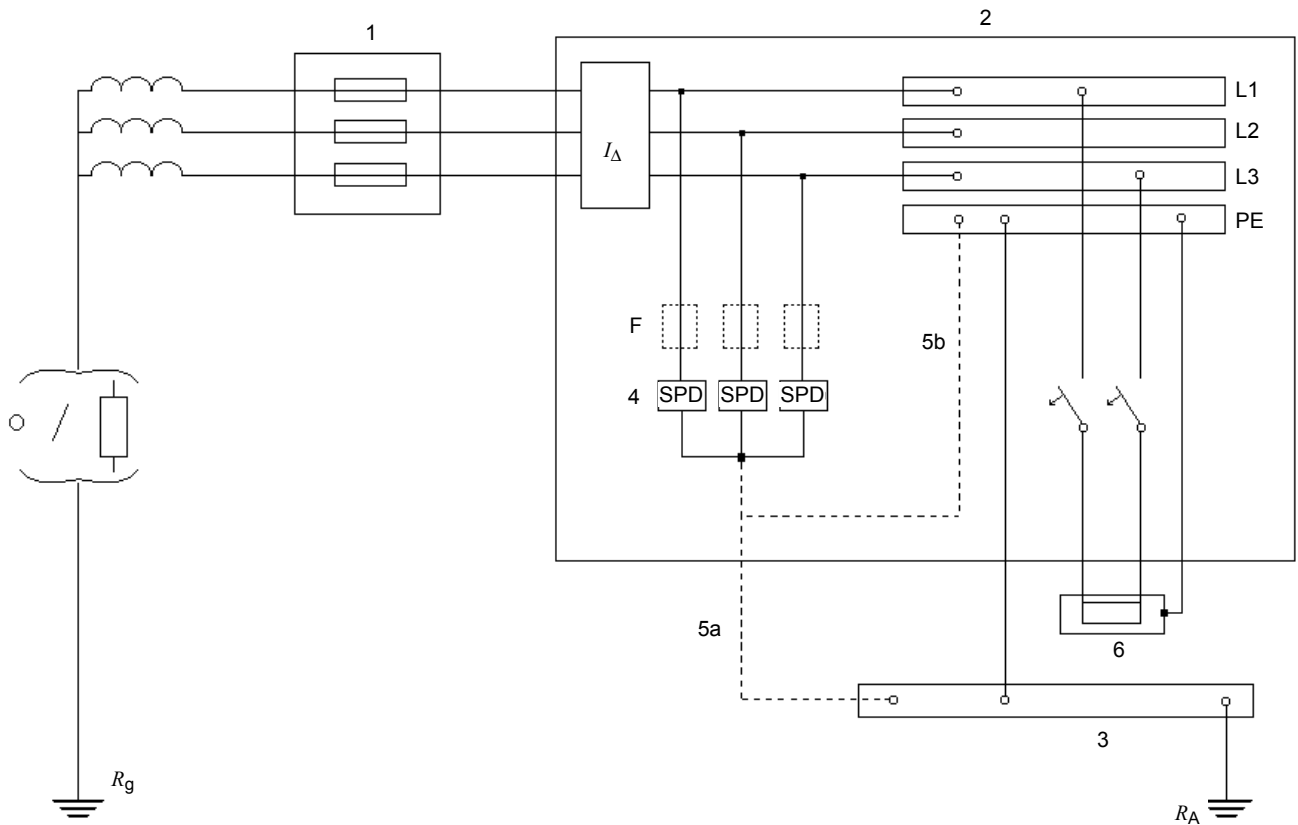


IEC 384/02

Key

- 1 Origin of the installation
- 2 Distribution board
- 3 Main earthing terminal or bar
- 4 Surge protective devices
- 4a Surge protective device in accordance with IEC 60364-5-53 (2.3.2) or spark gap
- 5 Earthing connection of surge protective devices, either location 5a or 5b
- 6 Equipment to be protected
- 7 Residual current protective device (RCD)
- F Protective device indicated by the manufacturer of the SPD (for example, fuse, circuit-breaker, RCD)
- R_A Earthing electrode (earthing resistance) of the installation
- R_g Earthing electrode (earthing resistance) of the supply system

**Figure K.3 – Installation of surge protective devices in TT-systems
(SPD upstream of the RCD)**

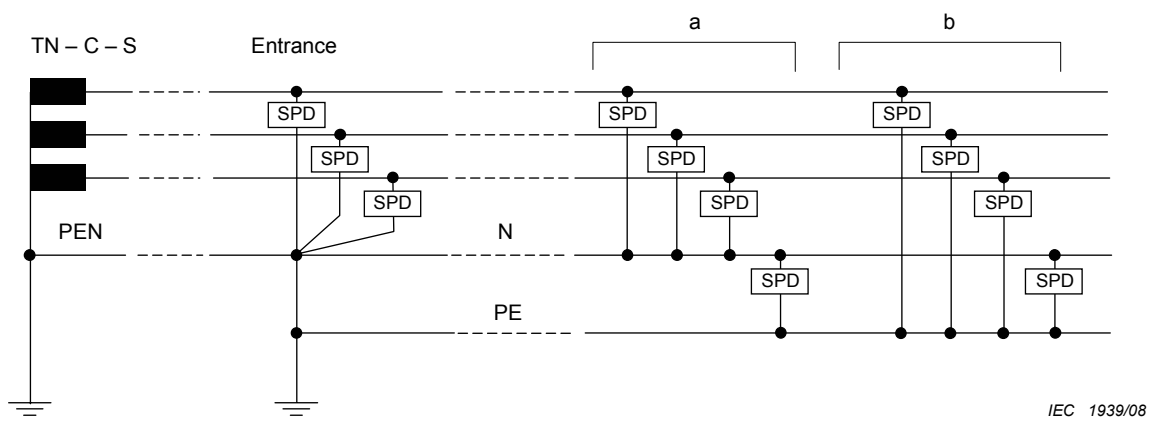


IEC 385/02

Key

- 1 Origin of the installation
- 2 Distribution board
- 3 Main earthing terminal or bar
- 4 Surge protective devices
- 5 Earthing connection of surge protective devices, either location 5a or 5b
- 6 Equipment to be protected
- F Protective device indicated by the manufacturer of the SPD (for example, fuse, circuit-breaker, RCD)
- R_A Earthing electrode (earthing resistance) of the installation
- R_g Earthing electrode (earthing resistance) of the supply system
- O / Open circuit or resistance

Figure K.4 – Installation of surge protective devices in IT-systems without distributed neutral

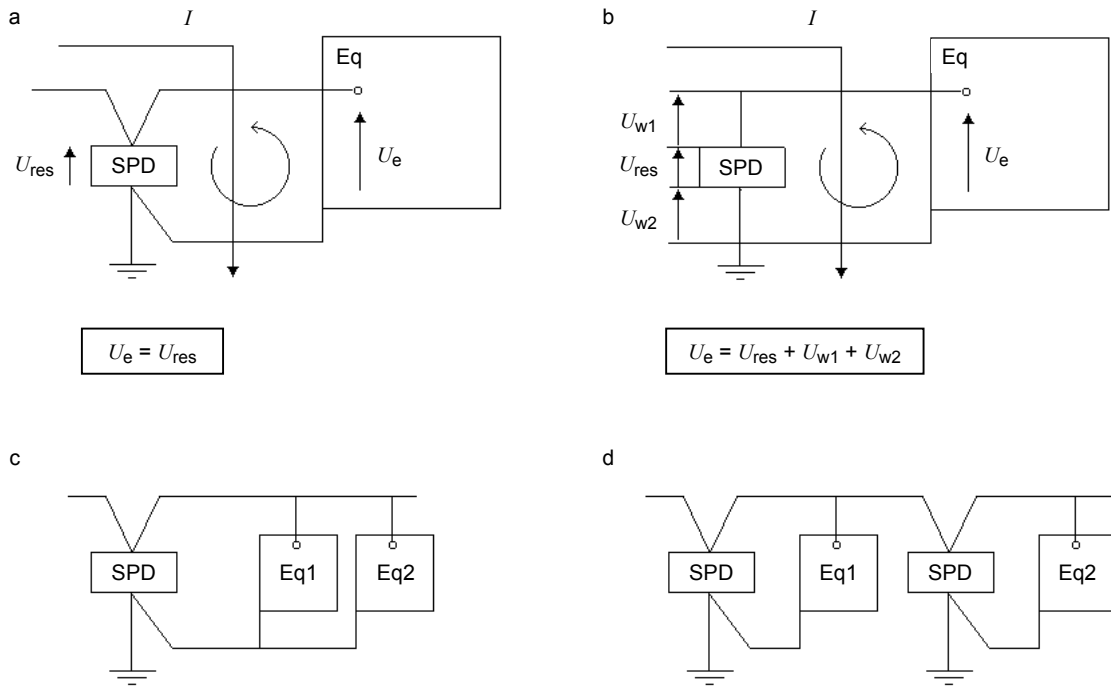


Key

Possible connection for additional SPDs if distance between equipment and entrance of installation is large (see 6.1.4):

- a SPDs connected L-N and N-PE
- b SPDs connected L-PE and N-PE

Figure K.5 – Typical installation of SPD at the entrance of the installation in case of a TN C-S system



$$U_e = U_{res}$$

$$U_e = U_{res} + U_{w1} + U_{w2}$$

IEC 387/02

Key

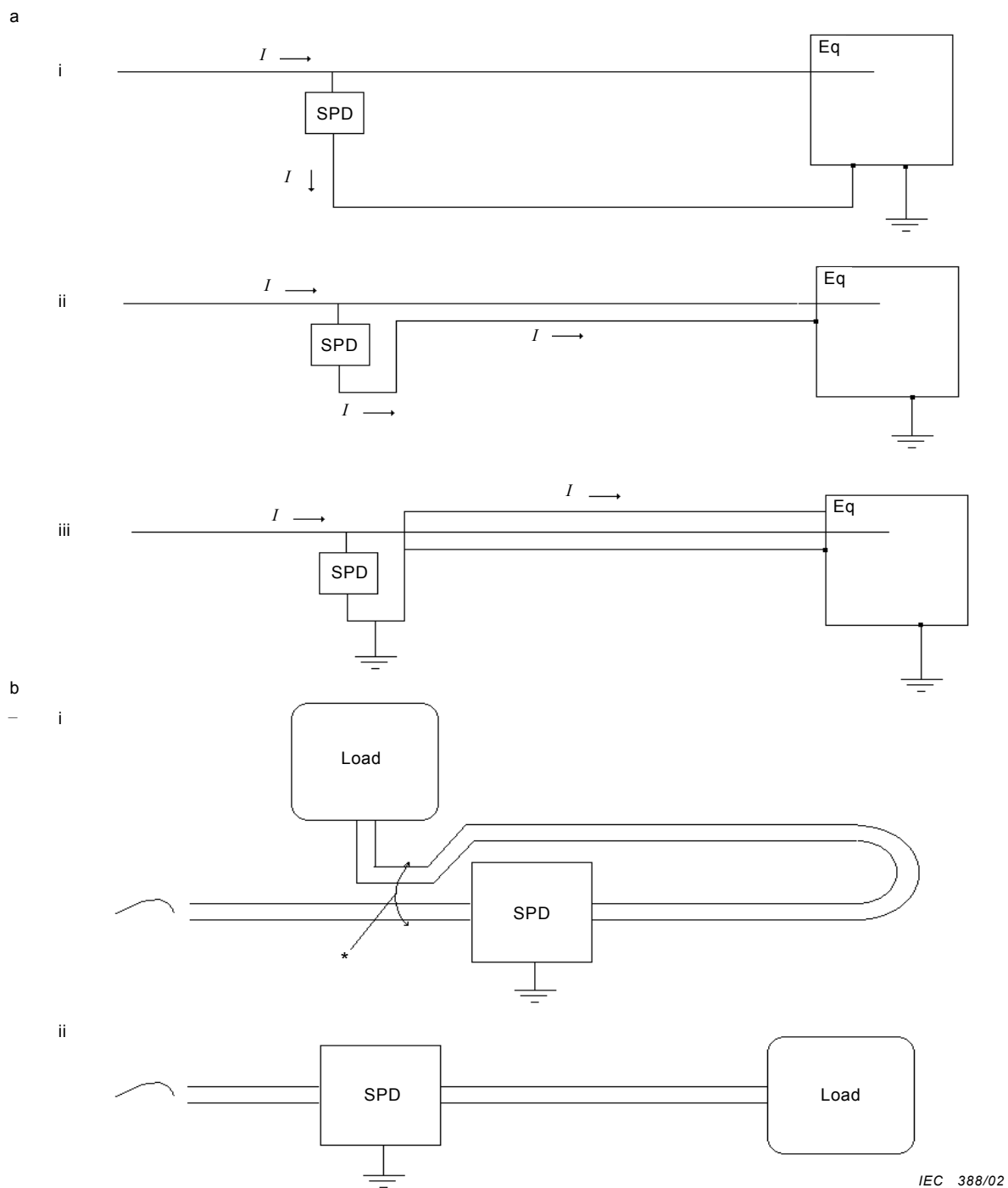
Eq equipment

Configurations a, c and d are acceptable

Configuration b is acceptable if U_{w1} and U_{w2} are low enough (see 6.1.3)

NOTE The current I flows through the SPD, and the magnetic field due to the flow of this current enters the loop formed by the leads to the equipment terminals. This has the effect of adding an induced voltage to the SPD's residual voltage. This combined voltage appears across the equipment terminals.

Figure K.6 – General way of installing one-port SPDs



Key

a Electromagnetic coupling

- i Bad practice – large loop area results in high $d\phi/dt$ caused by dI/dt
- ii Better practice – small loop area results in lower $d\phi/dt$
- iii Best practice – cable shield results in $d\phi/dt \approx 0$ inside the shield

b Inductive coupling

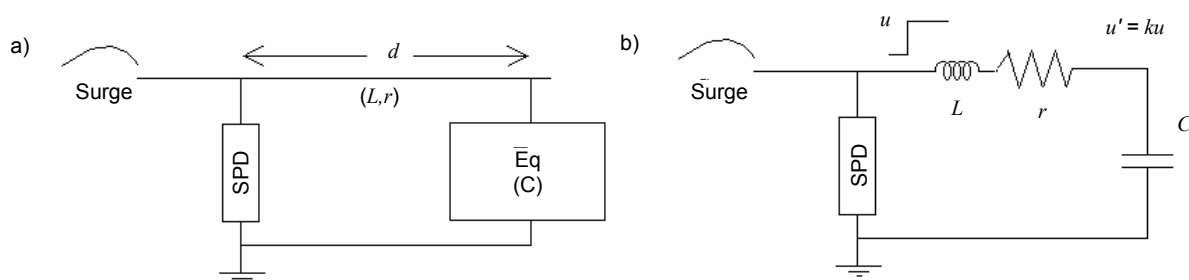
- i Bad installation – inductive coupling will occur at point marked *
- ii Good installation – cables upstream and downstream of the SPD are well separated

Figure K.7 – Examples of acceptable and unacceptable SPD installations regarding EMC aspects

K.1.2 Influence of the oscillation phenomena on the protective distance [6.1.2]

In general, it is not sufficient to use an SPD close to the equipment to be protected. It is much better to install the SPD at the entrance of the installation for EMC reasons (it is better to divert the current at the entrance in order to avoid electromagnetic disturbances due to the surge currents) and to protect the installation (to avoid flashover between conductors, etc.). If necessary, another SPD close to the equipment shall be installed if the equipment is not within the protective distance of the SPD installed at the entrance. Coordination studies are then necessary (see 6.2.6).

The reason for the need for additional surge protection is the possibility that oscillations or travelling waves caused by the surge impulse may result in higher than expected voltages at the equipment that is to be protected. Figure K.8 gives an example of a physical and electrical representation of such a system.

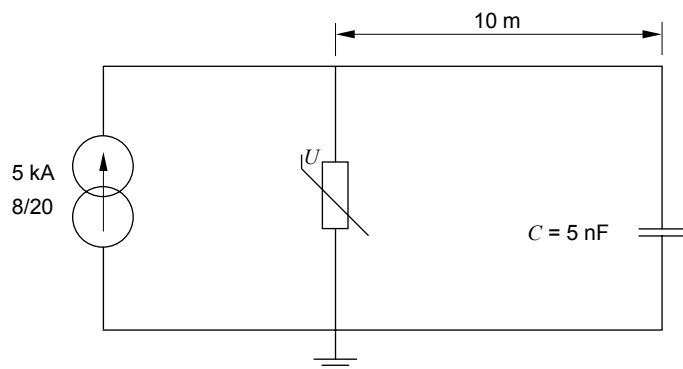


IEC 389/02

Figure K.8 – Physical and electrical representations of a system where equipment being protected is separated from the SPD giving protection

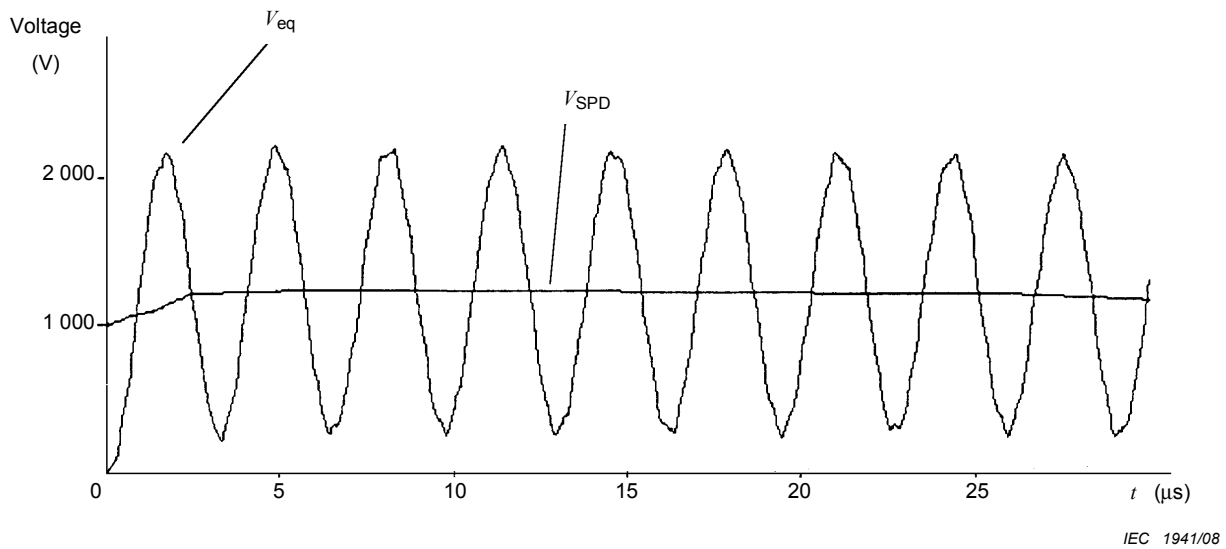
The voltage experienced at the equipment will depend on the frequency of the surge and the length of the conductors. Depending on the value of r , oscillations between L and C can increase the voltage at the equipment terminals u' up to ku . The value of k depends on many parameters. Where equipment presents a high impedance load, in practice, k is less than 2.

The circuit given in Figure K.9 corresponds to a surge source generating a 5 kA 8/20 impulse being applied to a ZnO SPD, which is separated from equipment with a load capacitance of 5 nF. This circuit was simulated, producing the response given in Figure K.10. This shows how the voltage at the terminals of the equipment being protected can reach double the voltage at the SPD terminals.

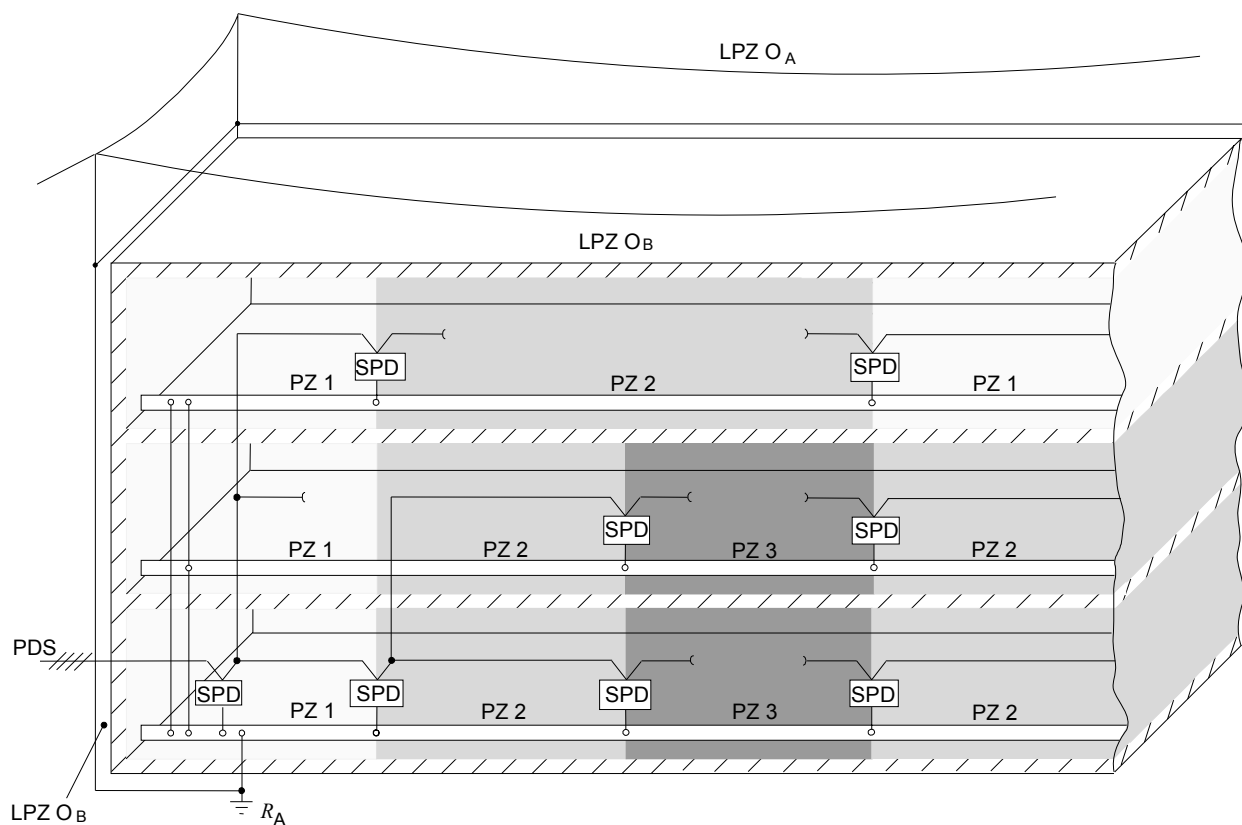


IEC 1940/08

Figure K.9 – Possible oscillation between a ZnO SPD and the equipment to be protected

**Key** V_{SPD} Voltage at the SPD V_{eq} Voltage at the equipment terminals**Figure K.10 – Example of voltage doubling****K.1.3 Protection zone concept [6.1.6]**

An example of the subdivision of the building power distribution system into protection zones and allocation of the surge protective devices is shown in Figure K.11 according to IEC 62305-4 for a direct lightning strike.



IEC 392/02

Key

- LPZ Lightning protection zone
- PZ Protection zone
- PDS Power distribution system
- SPD Surge protective device

Figure K.11 – Subdivision of a building into protection zones

The protection zones are defined as follows.

- Lightning protection zone O_A (IEC 62305-4)
Zone where items are subject to direct lightning strokes and therefore may have to carry up to the full lightning current. The unattenuated electromagnetic field occurs here.
- Lightning protection zone O_B (IEC 62305-4)
Zone where items are not subject to direct lightning strokes but the unattenuated electromagnetic field occurs. Conducted unattenuated lightning currents and switching surges occur.
- Protection zone 1
Zone where items are subject to partial direct lightning strokes. The conducted impulse lightning currents and/or switching surges are reduced compared with the zones O_A or O_B.
- Protection zone 2
Remnants of lightning impulse currents and/or switching surges are reduced compared with zone 1.
- Protection zone 3
Surges, caused by oscillation effects, magnetic field couplings and internal switching surges are reduced compared with zone 2.

The conducted threatening parameters are reduced by installing surge protective devices at the protection zone boundaries. Coordination between these SPDs should be done in accordance with 6.2.6. The performance parameters of these devices are suited to the conducted threatening parameters at the place of their installation (see 6.2.1 and 6.1.5).

NOTE If, according to IEC 62305-4, class I tested SPDs should be used, they should be installed at the LPZ O_B boundary with protection zone 1.

Each time an SPD according to 6.1.4 is installed a new protection zone is created.

K.2 Selection of SPDs

K.2.1 Selection of U_c [6.2.1]

For most SPDs, a temporary overvoltage having a duration of more than 5 s shall be considered as a permanent stress. Therefore, U_c shall be chosen to take into account normal conditions and the fault conditions (temporary overvoltages) which last longer than 5 s.

a) Normal conditions

1) Between phase and neutral

The SPD U_c between phase and neutral should be higher than U_{cs} (i.e. in general 1,10 times U_0 : 10 % for voltage regulation or 1,15 if we consider 5 % for margin due to possible degradation of the SPD and other abnormal system conditions).

2) Between phases

The SPD U_c between phases should be higher than U_{cs} (i.e. in general 1,10 times U_0 multiplied by $\sqrt{3}$).

NOTE 1 In some instances, depending upon the voltage regulation limits (for example in very large buildings where the regulation is defined at the meter only), U_{cs} may exceed the general limits given above (10 % and 10 % $\times \sqrt{3}$ respectively).

In some cases the voltage regulation is tighter (for example 5 %). In this case lower values may be sufficient (for example U_c may be higher than 1,05 times U_0 only (respectively 1,05 $\times \sqrt{3} \times U_0$)).

3) Between phases and earth or neutral and earth:

- For TT and TN systems the SPD U_c between phase and earth or neutral and earth shall be higher than U_{cs} (in general 1,10 times U_0).
- For IT systems see abnormal conditions below.

NOTE 2 If the service is supplied from a transformer with a centre tap on one of the transformer secondaries, there are two values for U_c . One value of U_c is 1,0 times U_{cs} and the other is $(\sqrt{3})/2 \times U_{cs}$.

The presence of harmonics can increase the peak value of the service voltage, therefore it may be necessary to increase the value of U_c compared to what should be the selection of U_c without these harmonics.

b) Abnormal conditions (fault conditions):

Sometimes it may be necessary to take account of specific fault conditions in the choice of U_c for SPDs connected between phase and earth. This is done in order to avoid the destruction of too many SPDs when a fault occurs in the system. In the case of an IT system it is essential to take care of such fault conditions.

Under earth fault conditions for TT and TN systems, the voltage between phase and earth may exceed U_{cs} . This is due to fault conditions on either the high voltage system or the low-voltage system and depends upon the earthing as to the maximum magnitude of the voltage. For additional information on this topic see 4.1.3.2. The choice of U_c then depends on the actual value of voltage given by such fault conditions. It is not possible to use a value of U_c high enough to ensure that no fault in the system causes damage to the SPDs, as the protective level will then be poor. In general, an appropriate value, independent of system topology, is to have U_c higher than 1,5 $\times U_0$.

Under earth fault conditions for IT systems, the voltage between phase and earth generally has a magnitude of $\sqrt{3} \times U_0$. Such faults on the low-voltage system may have a duration long enough to be considered as a permanent condition.

In this case, it is highly recommended to have U_c higher than the phase-to-phase voltage.

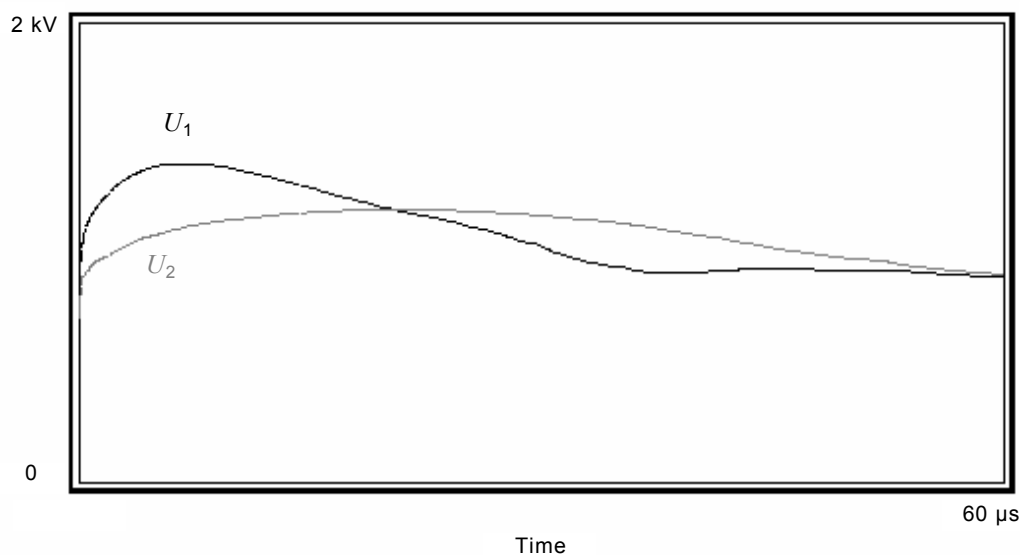
Examples of the relationship between the SPD's U_c and the nominal voltage of the power system are given in Annex B.

K.2.2 Coordination problems [6.2.6.2]

In order to better explain the problem, Figure K.12 shows a typical example of the coordination of two ZnO varistors separated by an inductance. SPD2 has a lower U_p value and a lower I_n value. Due to the inductance effect on the front of the surge most of the current flows through SPD1 and the current in SPD2 will gradually increase with a time constant given by the inductance and the characteristic of SPD2. In this way, more and more of the total current will flow through SPD2 over time.

Figure K.12 shows the total current, the currents through SPD1 and SPD2 and the voltages across SPD1 and SPD2.

- This maximum energy withstand (E_{max}) is defined in this application guide as the maximum energy that the SPD is able to withstand with no degradation. It can be obtained from test results (energy measured in the operating duty test at I_{imp} for class I tests or I_{max} for class II tests) or calculated taking into account manufacturer's information as I_{max} (class II tests) or I_{peak} (class I tests), $U_{res}(I_{max})$ or $U_{res}(I_{peak})$.

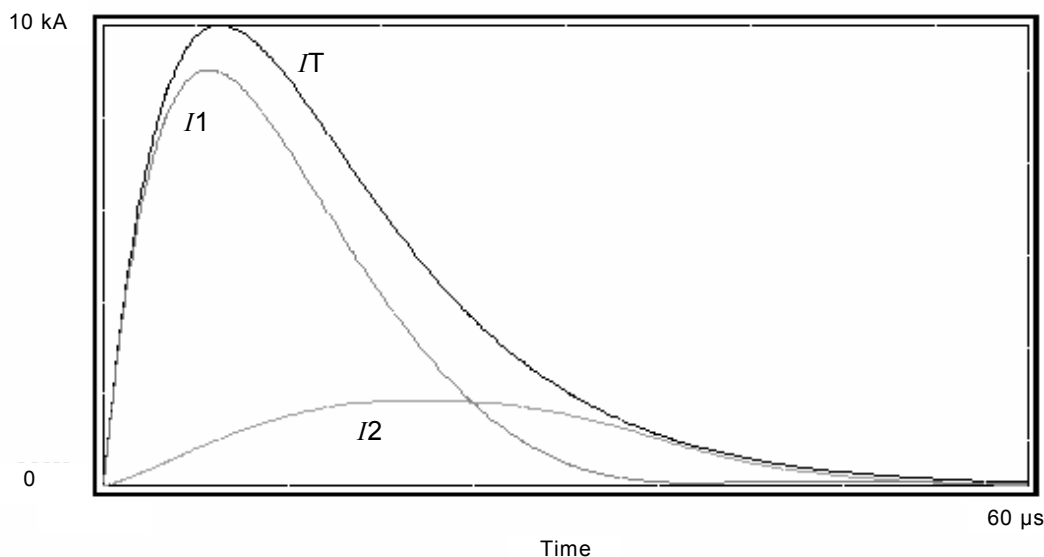


IEC 1942/08

Key

- U_1 residual voltage at front SPD terminals
- U_2 residual voltage at second SPD terminals

Figure K.12a – Residual voltage on varistors



IEC 1943/08

Key

- I_T Total current
- I_1 Current in front SPD
- I_2 Current in second SPD

Figure K.12b – Sharing of current between two varistors**Figure K.12 – Coordination of two ZnO varistors**

The cabling with distance d between the two SPDs, corresponding to an impedance Z may be used as a decoupling element.

- In the case of limiting type SPDs, this decoupling impedance is in general only effective for short waveshapes (for example 8/20). With long waveshapes (for example 10/350) this natural decoupling impedance created by the cabling is rarely sufficient. Additional decoupling components may be necessary to provide adequate coordination...
- Where the front SPD is of the switching type, two other characteristics have to be taken into account:
 - It is possible to have a blindspot, which means that for a current lower than I_{imp} the voltage at the terminals of the gap may be so low that the gap does not sparkover and hence is not able to protect the second SPD. It is important that the sparkover of the gap occurs at the front of the surge.
 - For a long front time, the decoupling element may be less effective than for 8/20 or 10/350 waves. Such long front times are presently being considered by TC 81.

In general it is necessary to deal with coordination for two types of surges:

- coordination with long waveshape surges (such as used for class I tests)
- coordination with short waveshape surges (such as used for class II tests)

NOTE It should be emphasized that the maximum energy withstand of the two co-ordinated SPDs is at least equal to the lower energy withstand value of the two SPDs. When a new SPD (SPD2) is connected to a system already containing an SPD (SPD1), it is necessary to ensure that proper coordination is achieved.

K.2.3 Practical cases [6.2.6.3]

In an installation, the coordination is always more complicated to study than in the simple example shown above. In effect,

- the presence of lead length or of additional devices such as disconnectors may add an inductance into the scheme. Sharing of current between many SPDs may also need to be studied \Rightarrow the actual installation scheme is needed;
- the tolerances on the characteristics of the components used in SPDs may lead to uncertainty of the actual value of the residual voltage at any particular current. In addition, the value which is usually obtained from the manufacturer is the protective level U_p which takes into account a margin such that the actual voltage may in reality be 25 % lower than indicated;
- the energy withstand E_{max} of the SPD may be different for long and short waves. In general, such a value is just given for one class of tests (class I \rightarrow long waves and class II \rightarrow short waves). Sometimes, this energy withstand is not given and needs to be calculated.

Annex L (informative)

Risk analysis

If the cost of protection (as determined from group E below) is less than the cost involved by the consequences of surges in an unprotected facility (as determined from groups A to D), then the use of SPDs is advisable.

L.1 Group A – Environmental

A1 Lightning incidence and severity N_g (annual ground flash density, which is the number of strikes/km²/year; see 4.1.1 and I.1)

- Direct strike to the building lightning protective system (LPS) or the electric supply and communication lines
- Resistive or inductive coupling

Risk assessment requires consideration of all types of direct and indirect modes of lightning induced energy, including entry via the lightning protection system, incoming power lines, metallic telephone lines, data cables, radio-frequency cables, wave guides, and through non-electrical conductors such as water pipes. Fibre-optic cables are generally immune provided they do not have (a) metallic conductor(s) which penetrates the protected area.

A2 Power-switching incidence and severity

Electronic equipment near to, or on the same circuit as power-switching equipment, such as motor controllers may suffer damage or degradation due to load-created transients. Additionally, transients may be generated due to either power utility switching, system faults or internal disturbances at the load.

A3 Exposure and coupling with LPS of the surrounding buildings

Damage can occur through transient coupling from lightning currents carried in the LPS of nearby buildings or facilities, including earth potential rise associated with dissipation of the currents. Such energy distribution usually occurs through power utility cabling and is not directly controllable by the user. The energy dissipated is in relation to the magnitude of the various earth resistances in the local network.

A4 Location of facility or building

- Topography
- Shielding by neighbouring structures and trees

Facilities on the top or sides of tall hills or mountains are more susceptible to direct lightning strike than similar facilities in valleys and areas of lower natural exposure. Similarly, installations with tall communications towers are likely to have an increased risk of lightning attachment. Small and low-rise facilities may be shielded by neighbouring taller objects from direct strikes. However, such shielding does not influence energy ingress via cables entering the facility.

L.2 Group B – Equipment and facilities

B1 Equipment impulse withstand category and immunity level

Manufacturers may design electrical and electronic equipment to various impulse voltage withstand levels. The lower the level, the higher the risk. Unless advised otherwise by a manufacturer, it may be best to assume that no specific immunity has been built in to their equipment. Correctly designed protection attempts to maximize energy diversion at cable points of entry and minimizes onward transmission to equipment.

B2 Earthing systems

- Earth resistance and impedance
- Layout and proximity
- Links to other earthing systems

The most important thing is to get earth equipotential bonding by galvanic or SPD bonding.

Separated earthing systems shall be considered with care.

B3 Power system layout

- Overhead
- Underground
- Or both

Although buried LV power cables offer lower risk than overhead power lines, direct lightning strikes in the vicinity of buried cables can cause substantial overvoltages, especially in high-resistivity soils. The designer needs to consider the length of buried cable, whether it is overhead for some distance away from the site, and whether the MV power utility network is overhead. For both LV and MV power lines, the aggregate length and height are relevant parameters. Longer and higher lines have a greater risk of lightning attachment and hence a greater risk of transmitting the lightning energy into a facility or building.

L.3 Group C – Economics and service interruption

C1 Service degradation or loss of service

Disruption and damage causes operational difficulties to business. Service degradation may have a qualitative element that is additional to direct financial losses. For example where extensive automation or computerization is involved reversion to manual operation may be virtually impossible.

C2 Loss of operations

This covers the real-time expense of service unavailability of equipment, computers, communications, and information technology systems and associated losses of operational revenues and/or business productivity. Critical systems such as emergency services, certain central information systems may have very high direct and indirect expenses associated with loss of operations.

Commercial enterprises lose direct revenue through downtime. Expected time to repair and restore operations will depend upon the availability of staff, spares, procedures, and information.

C3 Repair or replacement of equipment or facilities

This is the expense of physical damage, including equipment replacement and direct and indirect expenses of reinstallation. Gradual degradation of components in equipment may also occur through repeated small magnitude pulses which cause seemingly random faults. Such events may not be associated immediately or directly with a lightning storm or switching event

at the time of failure. Increased expenses of routine or preventative maintenance may eventuate due to such cumulative effects.

C4 Emergency services

Damage of equipment or injury to people may necessitate use of emergency services such as fire, ambulance, police, etc. which have an expense to a firm, person, or community. Breakdown of fire alarm systems and emergency services telecommunications decreases the efficiency of such services. Emergency services will normally demand protection to a high level.

L.4 Group D – Safety

If safety risks to people exist from dielectric breakdown then use of SPDs should be considered.

Personnel safety is a key issue for designers and installers. Occupational health and safety rules relevant to each country need be observed.

L.5 Group E – Cost of protection

- Design of installation
- Material and devices
- Installation of SPDs

Cost of protection includes SPDs, engineering design and supervision, and electrical installation.

IEC 62305-2 proposes a method for assessing the risk related to surges due to lightning. A method for assessing the risk relating to surges due to switching is under consideration.

Annex M (informative)

Immunity vs. insulation withstand

IEC 61000-4-5 describes the tests to determine the immunity from voltage and current surges for electronic equipment and systems. The equipment or system to be tested is regarded as a black box and the results of the tests are judged by the following criteria:

- 1) Normal performance.
- 2) Temporary loss of function or temporary degradation of performance not requiring an operator.
- 3) Temporary loss of function or temporary degradation requiring an operator.
- 4) Loss of function with permanent damage to equipment (which means failing the test).

Whereas the tests of IEC 61000-4-5 investigate the full range of possible effects of comparatively low current surges on electronic equipment and systems, including permanent damage and destruction of equipment and systems, there are other related test standards which are not so much concerned with temporary loss of function, but more with actual damage or destruction of equipment. IEC 60664-1 is concerned with insulation coordination for equipment within low voltage systems and IEC 61643-1 is a test standard for surge protective devices connected to low-voltage power distribution systems. In addition, both of these standards are concerned with the effect of temporary overvoltage on equipment. IEC 61000-4-5 and other standard in the IEC 61000 series do not consider the effect of temporary overvoltages on equipment or systems.

Permanent damage is hardly ever acceptable, since it results in system downtime and expense of repair or replacement. This type of failure is usually due to inadequate or no surge protection, which allows high voltages and excessive surge currents into the circuitry of the equipment, causing disruption of operation, component failures, permanent insulation breakdown and hazards of fire, smoke or electrical shock. It is also undesirable, however, to experience any loss of function or degradation of equipment or system, particularly if the equipment or system is critical and must remain operational during surge activity.

For the tests described in IEC 61000-4-5, the magnitude of the applied voltage test level (installation class) and the resultant surge current will have a direct effect on the response of the equipment. Simply stated, the higher the voltage level of a surge, the higher the likelihood of loss of function or degradation, unless the equipment has been designed to provide an appropriate surge immunity.

To test surge protective devices (SPDs) used on low voltage power systems, IEC 61643-1, test class III, specifies a combination wave generator with a fictive impedance of 2 Ω , which produces an 8/20 short circuit current waveshape and a 1.2/50 open circuit voltage waveshape. IEC 61000-4-5, uses the same combination wave generator for the surge immunity test for powered equipment and systems but with different coupling elements and also sometimes an additional series impedance. The meaning of voltage test level (installation class) of this standard and the peak open circuit voltage U_{OC} of IEC 61643-1 are equivalent. This voltage determines the peak short circuit current value at the generator terminals. Due to differences in the test methods test results may not be directly comparable.

Surge immunity of equipment or systems may be achieved by built-in surge protective components or devices (SPDs), or external SPDs. One of the most important selection criteria for SPDs is the voltage protection level, U_p , defined and described in IEC 61643-1. This parameter should be coordinated with the withstand voltage of the equipment U_w according to IEC 60664-1 and is the maximum voltage to be expected across the terminals of the SPD during the tests in specific conditions. U_p is only used in this standard for coordination with the withstand voltage of the equipment U_w . The value of the voltage protection level at a

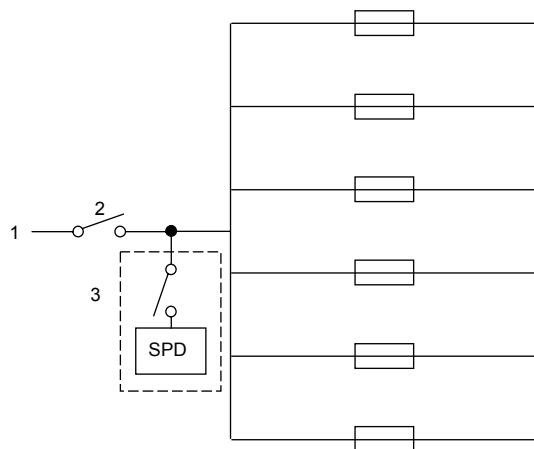
comparable stress should also be below the voltage immunity level at this comparable stress of the equipment tested to IEC 61000-4-5 but this is not addressed at the present time, especially because waveshapes are not always comparable between the two standards.

In general, surge immunity levels of equipment according to IEC 61000-4-5 are lower than insulation withstand levels according to IEC 60664-1, however care should be taken regarding the effects of temporary overvoltages according to IEC 60364-4-44 on an SPD (or built-in surge protective component) having an excessively low protection level. It is quite possible to choose an SPD that will protect equipment from failure, remain operational during surge activity and withstand most temporary overvoltage conditions.

Annex N (informative)

Examples of SPD installation in power distribution boards in some countries

The following figures depict typical installation of SPDs in power distribution boards for some countries. As already discussed in this standard it is important to ensure that lead lengths are minimized and that the short-circuit withstand rating of the SPD is coordinated with the prospective short-circuit current I_{SC} at the panel location.



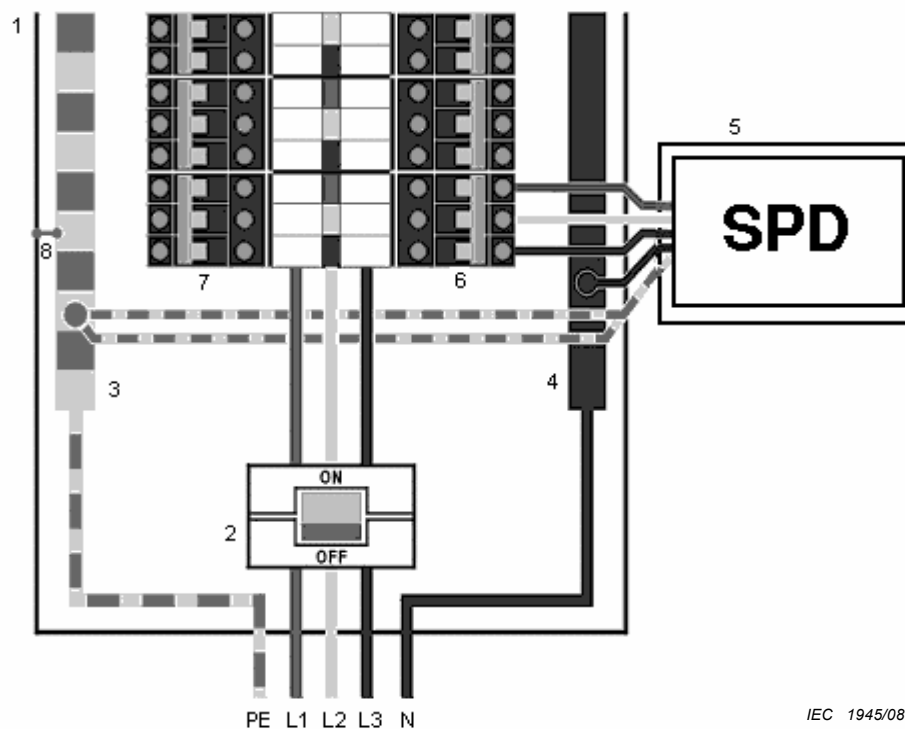
IEC 1944/08

Key

- 1 Incoming supply
- 2 Main switch (called isolator in some countries)
- 3 SPD and its disconnector (could be installed within SPD enclosure)

**Figure N.1 – A wiring diagram of an SPD connected on the load side
of the main incoming isolator via a separate isolator
(which could be included in the SPD enclosure)**

This use of such a disconnector for the SPD is good practice as it allows the unit to be disconnected without disconnection of the main isolator, as the SPD would need to be disconnected for dielectric withstand testing (called flash testing in some countries) of the installation for example.



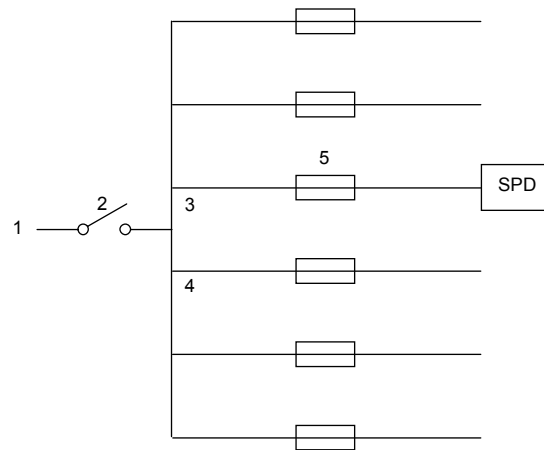
IEC 1945/08

Key

- 1 Distribution board
- 2 Main switch (main isolator or main circuit breaker (MCB))
- 3 Main earthing terminal
- 4 Neutral terminal
- 5 Enclosure for SPD
- 6 First downstream fuse block
- 7 Alternative first downstream fuse block
- 8 Cross bond to distribution board chassis

Figure N.2 – SPD connected to the nearest available outgoing MCB to the incoming supply (TNS installation typically seen in the UK)

The MCB also provides a convenient means to fuse the SPD and provide a means of isolation. As there is insufficient room within the distribution panel the SPD is mounted in a separate enclosure for electrical safety. This enclosure is mounted directly alongside the distribution panel to ensure the connecting leads are kept short. A supplementary earth bond is made to further minimise volt drop on the connecting leads.



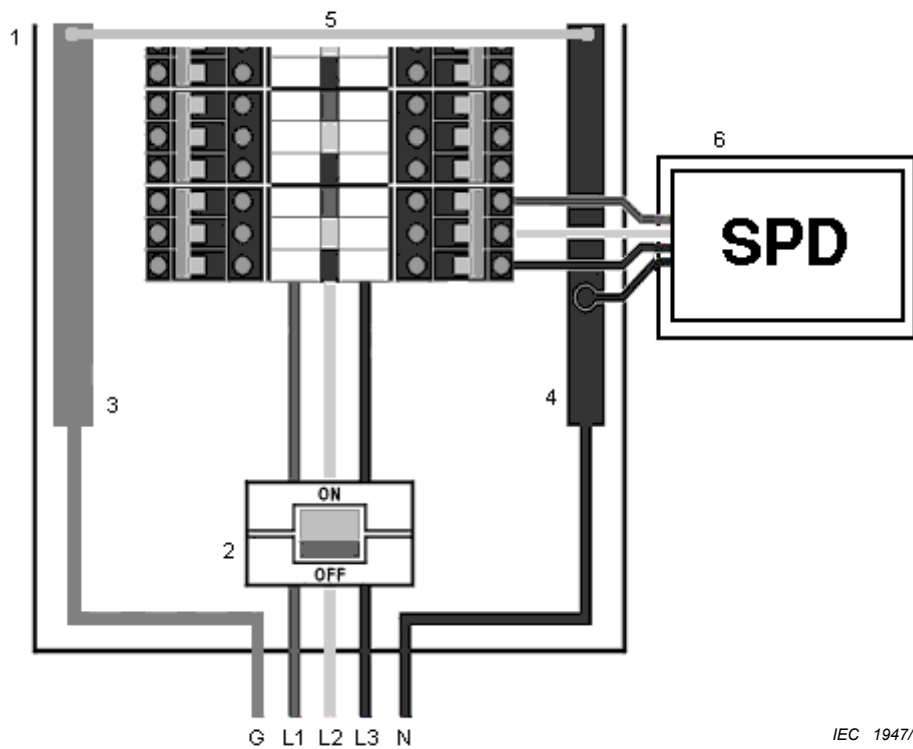
IEC 1946/08

Key

- 1 Incoming supply
- 2 Main switch (main isolator or main circuit breaker (MCB))
- 3 First downstream fuse block
- 4 Alternative downstream fuse block
- 5 Fuse (or MCB)

Figure N.3 – A single line-wiring diagram of an SPD connected in shunt on the first outgoing way of the distribution panel via a fuse (or MCB)

The use of a suitable fuse (or MCB) is convenient for the installation of the SPD and promotes good practice as it allows the unit to be disconnected without disconnection of the main isolator, as the SPD would need to be disconnected for flash testing of the installation for example. The fuse size is chosen accordingly so as not to de-rate the SPDs surge current handling capability and allow coordination with the incoming supply fuse.



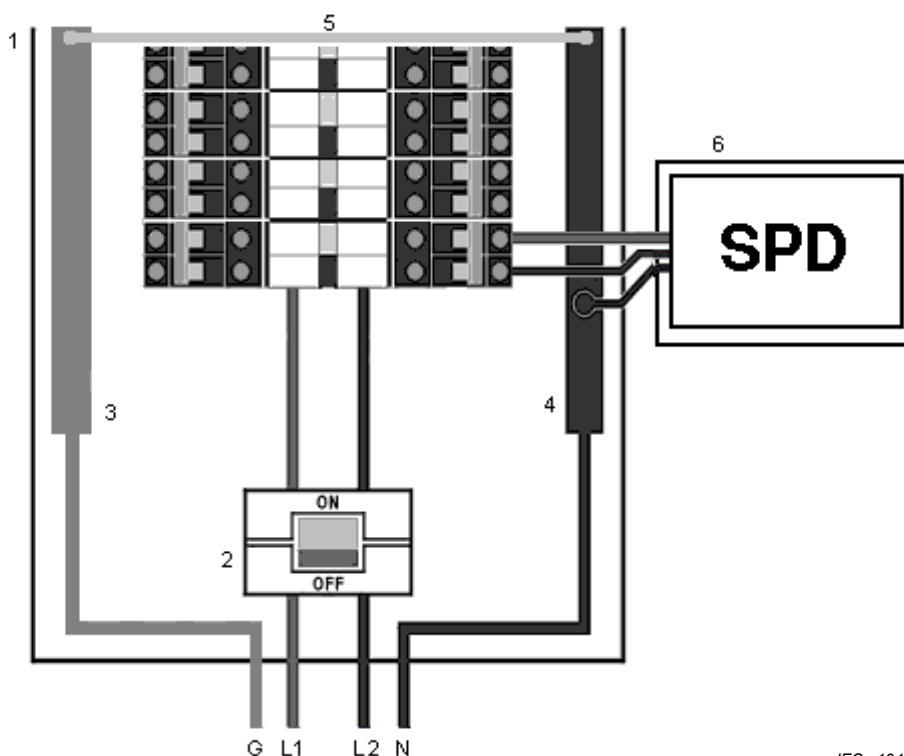
IEC 1947/08

Key

- 1 Main distribution board
- 2 Main circuit breaker
- 3 Main grounding bar
- 4 Neutral bar
- 5 G-N bond
- 6 Enclosure of SPD

Figure N.4 – SPD connected to the nearest available circuit breaker on the incoming supply (US three phase 4W + G, TN-C-S installation)

The load side of the MCB also provides a convenient point to connect the SPD via current limiting fuses. This arrangement also provides a means of isolation during maintenance. As there is insufficient room within the distribution panel, the SPD is mounted in a separate enclosure for electrical safety. This enclosure is mounted directly alongside the distribution panel to ensure the connecting leads are kept as short as possible.



IEC 1948/08

Key

- 1 Main distribution board
- 2 Main circuit breaker
- 3 Main grounding bar
- 4 Neutral bar
- 5 G-N bond
- 6 Enclosure of SPD

Figure N.5 – SPD connected to the nearest available circuit breaker on the incoming supply (US single (split) phase 3W + G, 120/240 V system - typical for residential and small office applications)

The load side of the MCB also provides a convenient point to connect the SPD via current limiting fuses. This arrangement also provides a means of isolation during maintenance. As there is insufficient room within the distribution panel, the SPD is mounted in a separate enclosure for electrical safety. This enclosure is mounted directly alongside the distribution panel to ensure the connecting leads are kept as short as possible.

NOTE In USA it is required by the National Electric Code (NEC) that the SPD's short circuit current rating defined by NEC, is coordinated with the prospective fault current at the point of installation.

Annex O (informative)

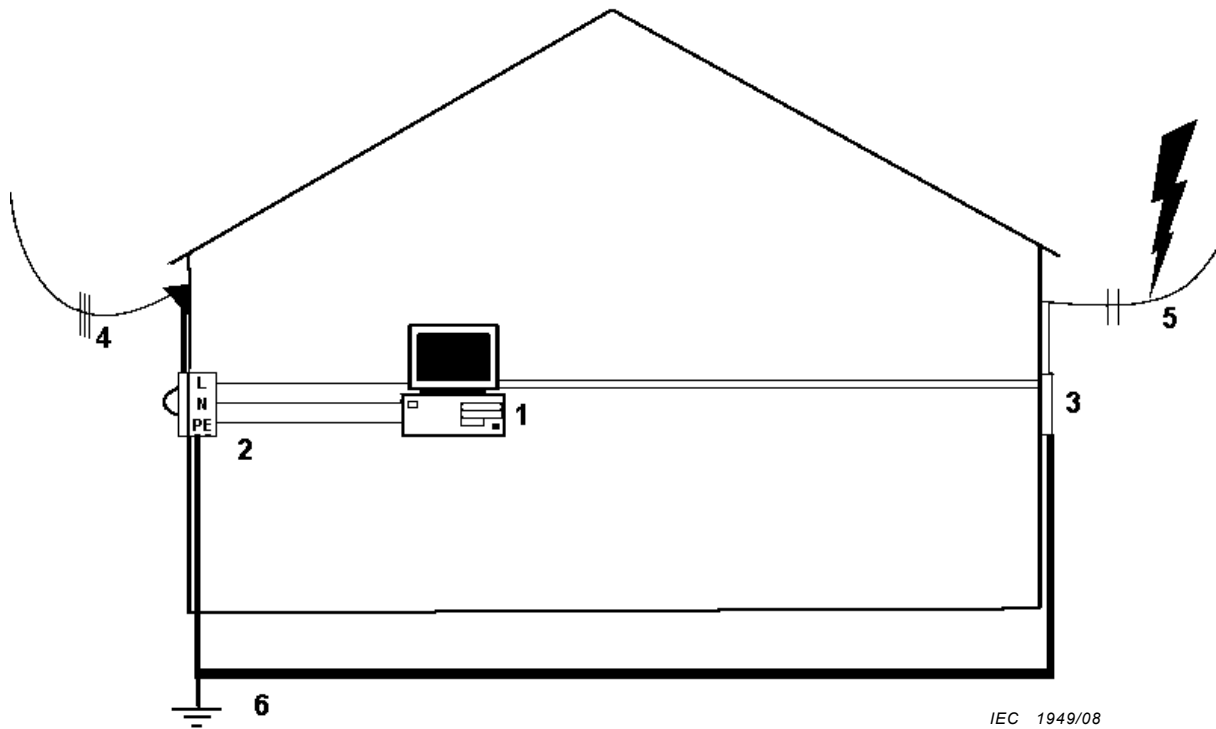
Coordination when equipment has both signalling and power terminals

To describe the problem which can occur when two ports of an equipment are protected by SPDs which are not coordinated, the example of a personal computer (PC) equipped with a modem will be used.

A typical system might be assembled from uncoordinated subsystems and these could be at risk because of uncoordinated surge protection. Although each of the power and communications systems might include protection against surges, the surge current flowing between surge protective systems can cause a potential difference across the power and communication ports of the PC. Depending on the nature of the PC/modem and their immunity levels this difference in potential may result in damage to the PC/modem or cause upset in the operation of this equipment.

This first example shows how this problem can occur. The example is based on a power and telecommunication system.

In Figure O.1 a PC is equipped with a modem that is powered from a branch circuit by a three-wire cord that includes an earthing conductor. The earthing conductor establishes the steady-state potential reference of the chassis at the power panel. The telecommunication port of the modem is connected to a metallic telephone outlet at its location. This outlet is wired to a telecommunication interface termination. This panel is usually located at the entrance to the building and includes telecom SPDs.

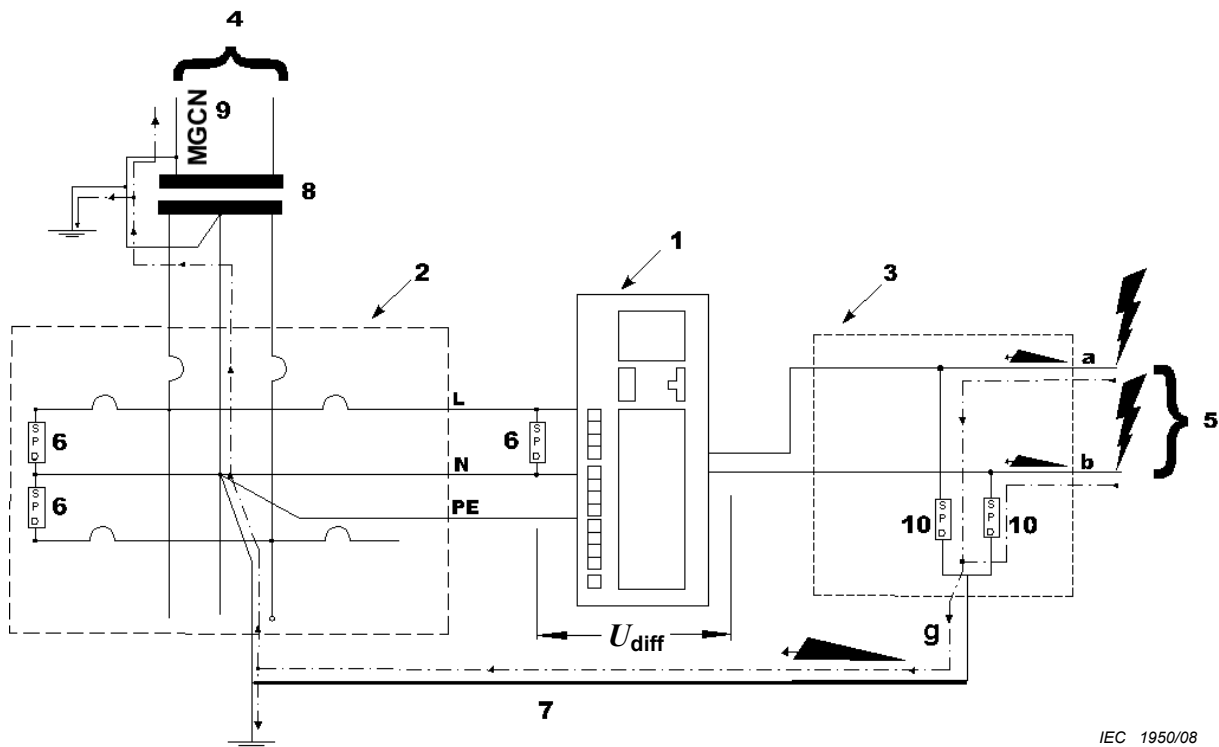


Key

- 1 Computer with modem or similar electronic device having separate ports for power and telecommunications.
- 2 Main distribution board, including circuit-breakers and power SPD
- 3 Telecommunication interface termination including telecommunication SPD
- 4 Single phase, 3 wire power line
- 5 Overhead telecommunication line
- 6 Equipotential bonding system

Figure O.1 – Example of a PC with modem in a US power and communication system

To demonstrate the effect of uncoordinated surge protection and the benefit of a proposed solution, measurements were conducted in a full-scale replica of a house wiring system, including power, telephone, and an equipotential bonding system as indicated in Figure O.2. The telephone wires were routed in a typical manner, at some distance from the equipotential bonding system.



IEC 1950/08

Key

- 1 Computer with modem or similar electronic device having separate ports for power and telecommunications
- 2 Main distribution board , including circuit-breakers and power SPD
- 3 Telecommunications SPD
- 4 Single-phase, 3 wire power line
- 5 Overhead telecommunication line
- 6 Power SPD component: varistor
- 7 Equipotential bonding system
- 8 Distribution transformer
- 9 MGCN: multi-grounded common neutral
- 10 Telecommunications SPD component: GDT

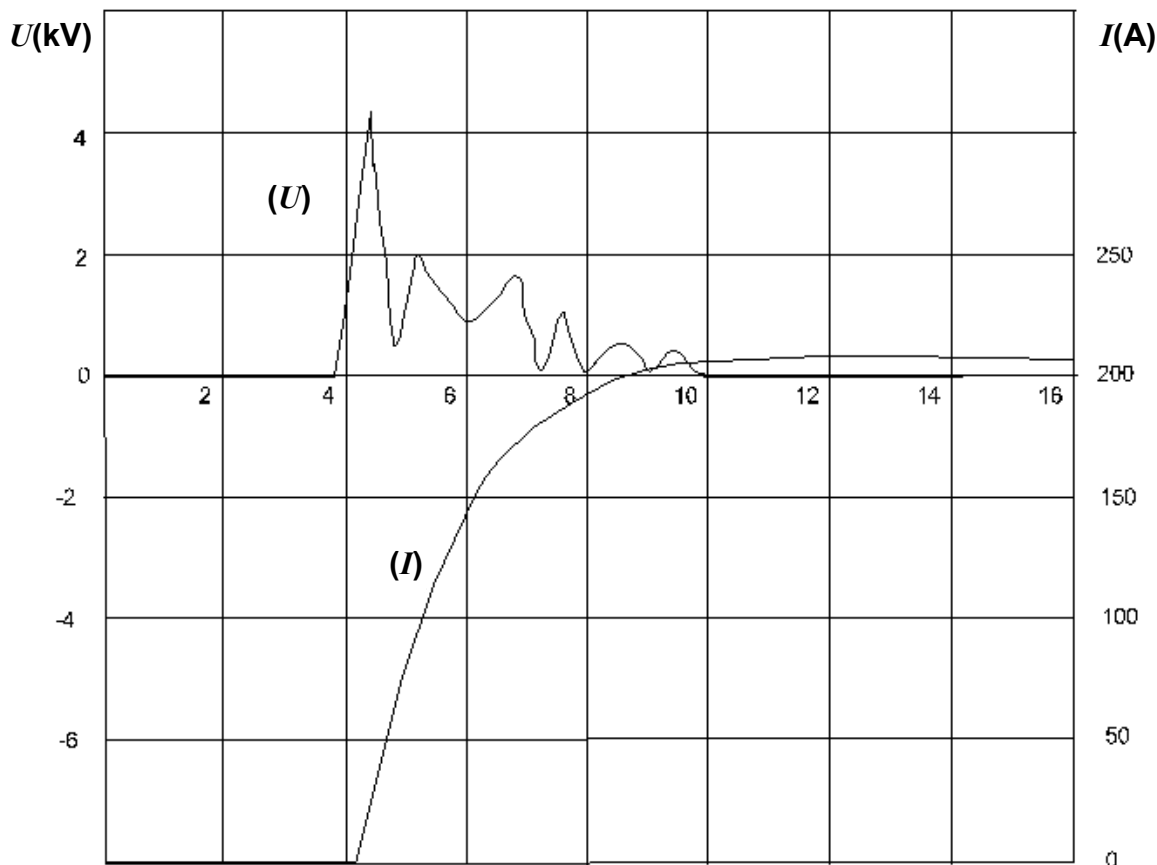
Figure O.2 – Schematic of circuit of Figure O.1 used for experimental test

Figure O.2 exhibits how a surge occurring on the telecommunication circuit can result in a voltage (potential difference) U_{diff} across the PC due to the operation of the gas discharge tubes in the telecom interface panel. As can be seen when the telecom interface panel gas discharge tubes operate, a surge current flows in the equipotential system resulting in a potential difference between the telecommunication port and the power port of the PC.. This is due to the surge current " I_{surge} " flowing in the water pipe through its inductance ' L '. The voltage drop across the pipe is expressed by the equation $U = R \cdot I_{surge} + L \cdot dI_{surge}/dt$, where dI_{surge}/dt is the time rate of change of the current flowing in the water pipe. The factor L is the inductance of the water pipe and earth cable between the telecom interface panel and equipotential system .

Figure O.3 shows the recording obtained when injecting upstream from the telecom interface panel a surge such as specified by telephone industry standards. For a rate of change in the

surge current of 75 A/μs, a peak of 4,3 kV was found to be induced in the loop. This voltage would appear between the two ports of a PC (But of course none was for the experiment. The loop remained open to allow the measurement and not needlessly put a PC in jeopardy in the experiment.)

NOTE 8/20 is not the only standard pulse used in the telecom industry. ITU uses 10/700 voltage impulse with a 5/300 current impulse (100 A) this gives about 10 A/μs. IEC 61643-21 as well uses many different waveshapes.



IEC 1951/08

Key

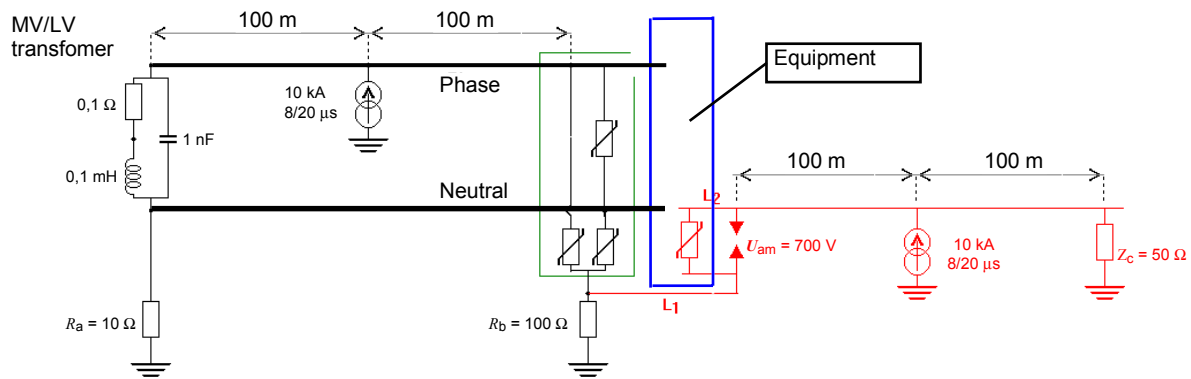
I Current impinging on the telecom SPD: 50 A/division - $di/dt = 75 \text{ A}/\mu\text{s}$

U Voltage between telephone port and protective conductor (PE): 2 kV/division - 4,3 kV max

Horizontal sweep: 2 μs/division

Figure O.3 – voltage recorded across reference points for the PC/modem during a surge in the example

The second set of examples used to illustrate that problem is described in Figure O.4. This represents a power supply (TT, phase and neutral) supplying an installation where a telephone line is also connected. For equipotential bonding of the two networks to the local earth, SPDs are installed at the entrance point of these lines. To study this case, a practical case has been simulated, where the two bonding points are different and then separated by an inductance (equivalent to the distance between these two points. Another SPD (diode) has also been added on the telecommunication line directly in front of the equipment. The distance L2 is between the GDT and the diode and the distance L1 is between the bonding point of the telecommunication line and the bonding point of the power line.



IEC 1952/08

Figure O.4 – Typical TT system used for simulations

The effects of a surge current being applied to the telecommunication circuit of Figure O.2 have also been analysed by means of a computer simulation and have yielded the same results as the actual test. A high-frequency model of the transformer and propagation effect on the lines (200 m for both lines) has been used. The SPD for power supply is of the varistor type (limiting component) and the SPD for the telecommunication line is a gas discharge tube (switching component).

The resistance of the earthing R_b was a parameter in this study as well as the sparkover voltage of the GDT (U_{am}). The power supply SPD (three modes of protection) has a nominal discharge current of 10 kA and a voltage protection level of 1,5 kV.

The following results are obtained: for $L_1 = L_2 = 10$ m, the lead length L_1 experiences a voltage drop of 12,5 kV when the lightning strikes the power networks and 35 kV when the lightning strikes the telecommunication network. This level is sufficient to create a flashover inside the equipment.

Therefore, even in case of both networks being protected by SPDs and the two networks being bonded to the same earthing system, an internal flashover may still occur.

To be able to generalise these results, simulations were also carried out with some loads on both networks and the results were the same. In addition, simulations with other type of network (TN and IT) and with various surge waveshapes were also performed.

The results are summarised in Table O.1:

Table O.1 – Simulation results

TN system	In case of a 10 kA 8/20 surge coming from the power supply	In case of a 10 kA 8/20 surge coming from the telecommunication line
L1 Voltage drop	12 kV	35 kV
IT system, impedance of the neutral = 1 000 Ω	In case of a 10 kA 8/20 surge coming from the power supply	In case of a 10 kA 8/20 surge coming from the telecommunication line
L1 voltage drop	8 kV	35 kV
TT system	In case of a 10 kA 10/350 surge coming from the power supply	In case of a 10 kA 10/350 surge coming from the telecommunication line
L1 voltage drop	8 kV	23 kV

It can be seen that the results concerning the risk of flashover of the equipment are the same with all types of power supply systems. The withstand of equipment is generally in the order of 2,5 kV maximum and so the voltage produced by a mild surge (10 kA only) is well in excess of this surge withstand (from 8 kV to 35 kV).

NOTE 10 kA 10/350 is not realistic for a telephone wire. It will fuse at about 2 kA and measurement in the telenetwork shows values more like 100 A. But such a value was used for comparison between power side and telecom side.

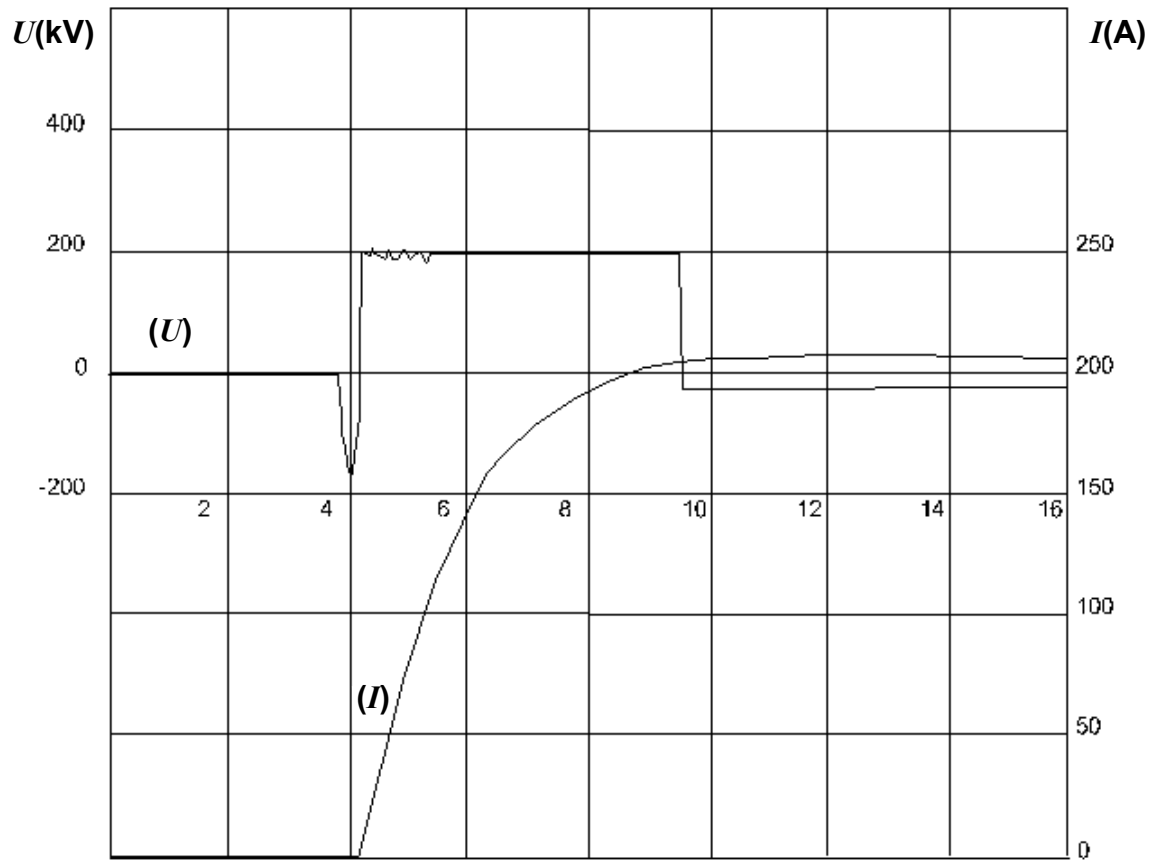
POSSIBLE SOLUTIONS

To avoid the above problems there are two possibilities:

- find another routing for the cables for decreasing the size of the loop between the various lines (telecommunication and power lines in the case of the example described above) and so decrease the inductance L . But this is not an easy thing for existing buildings. For new building a single entrance bonding point is of course the best solution.
- install an SPD near the equipment between the terminal of the power system and a common bonding point and do the same between the other system(s) (telecommunication in the example) terminals and this common bonding point. In general, these devices contain power SPDs and telecom SPDs in a single package, sometimes called “multiservice SPDs”. Such a combined SPD would contain surge protection for all the connections to the equipment that would be referenced by very short leads to the common bonding point. It is required that this common bonding point is connected to PE. This common bonding point can be the housing of the equipment to be protected, if it is connected to PE.

Figure O.5 shows the effect of such an SPD in the experiment described in Figure O.1. Figure O.5 should be compared to Figure O.3.

Copyright International Electrotechnical Commission



IEC 1953/08

Key

I Current impinging on the telecommunication SPD – $di/dt = 75 \text{ A}/\mu\text{s}$

U Voltage between telephone port and protective conductor (PE): 200 V/division – 200 Vmax

Horizontal sweep: 2 μs /division

Figure O.5 – Voltage and current waveshapes when a multiservice SPD is applied to circuit of Figure O.1

Annex P (informative)

Short circuit backup protection and surge withstand

P.1 Introduction

Surge current not only flow through the SPDs, but also through other devices in the circuit. These other devices include back-up protection and other type of fault current protection, and unwanted tripping or melting can occur. It is useful to know the withstand capability of these devices to prevent these components from limiting the surge handling capability of the installation. In this annex, only information concerning fuses are given, for other technologies, actual results of surge withstand are too dependent of the type of device. This is why mechanical CBs are not under consideration in this annex, but SPD or MCBs manufacturers can give information for association of SPDs with other devices such as CBs (MCB, MCCB, RCD, etc.).

P.2 Information single shot 8/20 and 10/350 fuses withstand

Use the I^2t calculation of wave shape compared to fuse I^2t (1ms) from fuse manufacturer is a possible way to guess its surge withstand for a single shot.

I^2t of surge can be estimated knowing the crest value of the surge and its wave shape with these formulas.

- For wave shape 10/350:

$$I^2t = 256,3 \times I_{crest}^2$$

- For wave shape 8/20:

$$I^2t = 14,01 \times I_{crest}^2$$

With I_{crest} in kA, I^2t in A²s

Examples:

- To withstand a single shot of surge current of 9 kA 8/20, the backup fuse must have a minimum pre-arcing value greater than:

$$I^2t = 14,01 \times 9^2 = 1134,8 \text{ A}^2\text{s}$$

NOTE Typical pre-arcing value for 32 A cylindrical fuse gG type is: 1300 A²s.

- To withstand a single shot of surge current of 5 kA 10/350, the backup fuse must have a minimum pre-arcing value greater than:

$$I^2t = 256,3 \times 5^2 = 6407,5 \text{ A}^2\text{s}$$

NOTE Typical pre-arcing value for 63A NH fuse gG type is: 6500 A²s.

- A new fuse with a pre-arcing value of 24 000 A²t (100 A cylinder fuse gG type) can withstand a 8/20 single shot of:

$$I_{crest} = \sqrt{\frac{24000}{14,01}} = 41,4 \text{ kA}$$

P.3 Fuse Influencing factors (reduction) for preconditioning and operating duty test

During the test procedure described in IEC 61643-1, the fuse has to withstand not only a single shot but a complete sequence (preconditioning test and operating duty test). These shocks are able to degrade the fuse and therefore decrease its withstand capability comparing to the one single shot withstand (see P.2);

In order to pass the full preconditioning test and operating duty test, experimentations show that a reduction factor from 0,5 to 0,9 has to be applied to the one single shot withstand value.

Three major factors can be taken in consideration.

- Ratio between I_n and I_{max} or I_{imp} .

The preconditioning test is performed under I_n (15 shocks) when operating duty test is performed under I_{max} or I_{imp} (0,1; 0,25; 0,5; 0,75 and 1 time I_{max} or I_{imp}). If I_n value is low compared to I_{max} or I_{imp} crest value, the ageing caused by preconditioning test under I_n shocks can be neglected compared to I_{max} or I_{imp} stress. On the contrary, if I_n value is close or higher than I_{max} or I_{imp} crest value, the stress of the preconditioning test is not to be neglected.

- Absolute value compared to the one single shot fuse withstand.

When the I_n , I_{max} or I_{imp} values are close to the maximum I_{crest} value (see Figure O.2) the fuse degrade themselves at each shot whereas if they are far to the maximum I_{crest} value, the effect can be neglected.

- Tolerance of fuse

Fuse manufacturers give generally a tolerance for their device in accordance to the fuse standard. This tolerance is not linked to the real surge withstand capability and cannot be used for such calculation.

P.4 Specific examples with estimated range of factors for reduction of single shot fuse withstand

A cylindrical 100 A gG fuse is supposed to withstand for one shot a surge current of 41,4kA 8/20 wave shape.

For a type 2 SPD's test with $I_{max} = 40$ kA and $I_n = 20$ kA, experience shows that this fuse is not able to pass the full preconditioning and operating duty test.

The correct backup fuse is a 125 A gG with a minimum pre-arcing value of 40 000 A²s. From P.2 a fuse with a minimum pre-arcing value of 40 000 A²s is able to withstand one single shot 8/20 wave shape of 53,4 kA.

The ratio between the single 8/20 shot crest current value of this fuse, and the real withstand for the full test, is in this case 0,75.

In Table P.1 some characteristics values are given following the same analysis, where I_{max} is the double of I_n for type 2 SPD and where the value of I_n is equivalent to I_{imp} for type 1 SPD.

Table P.1 – Examples of ratio between single shot withstand and full preconditioning/operating duty test

Typical rated current of the fuse	Typical Pre-arcing value, crest current from simplified formula in P.2 and real testing							
	Cyl gG				NH gG			
	Pre-arcing	Calculated	After test	Ratio	Pre-arcing	Calculated	After test	Ratio
	I^2t	8/20	8/20		I^2t	10/350	10/350	
25	800	7,6	5	0,66				
32	1 300	9,6	7	0,73				
40	2 500	13,4	10	0,75				
50	4 200	17,3	15	0,87				
63	7 500	23,1	17	0,73				
80	14 500	32,2	25	0,78				
100	24 000	41,4	30	0,72	20 000	8,8	5	0,57
125	40 000	53,4	40	0,75	33 000	11,3	7	0,62
160					60 000	15,3	10	0,65
200					100 000	19,75	15	0,76
250					200 000	27,93	20	0,72
315					300 000	34,21	25	0,73

www.international-electrotechnical-commission.org

Bibliography

NOTE The clause to which the reference relates is identified as [xxx] below.

IEC 60038, *IEC standard voltages*

IEC 60364-4-42, *Electrical installations of buildings – Part 4-42: Protection for safety – Protection against thermal effects*

IEC 60364-4-43, *Electrical installations of buildings – Part 4-43: Protection for safety – Protection against overcurrent*

IEC 60999-1, *Connecting devices – Electrical copper conductors – Safety requirements for screw-type and screwless-type clamping units – Part 1: General requirements and particular requirements for clamping units for conductors from 0,2 mm² up to 35 mm² (included)*

IEC/TR 61000-5-6: 2002, *Electromagnetic compatibility (EMC) – Part 5-6: Installation and mitigation guidelines – Mitigation of external EM influences*, under consideration.

IEC/TR 62066: 2002, *Surge overvoltages and surge protection in low-voltage a.c. power systems – General basic information*

IEEE C62.41.1, *IEEE guide on the surge environment in low-voltage (1 000 V and less) AC power circuits*

IEEE C62.41.2, *IEEE recommended practice on characterization of surges in low-voltage (1000 V and less) AC power circuits*

IEC 61643-21, *Low-voltage surge protective devices – Part 21: Surge protective devices connected to telecommunications and signalling networks – Performance requirements and testing methods*

IEC 61643-22, *Low-voltage surge protective devices – Part 22: Surge protective devices connected to telecommunications and signalling networks – Selection and application principles*

Sharing of the current in case of direct strike to the structure [Annex I, I.1.2]

A. ROUSSEAU, P. AURIOL, A. RAKOTOMALALA, *Lightning distribution through earthing systems*, Hobart Lightning Protection Workshop, 1992.

H. ALTMAIER, D. PELZ, K. SCHEIBE, *Computer simulation of surge voltage protection in low voltage systems*, ICLP, 1992.

Temporary overvoltages [4.1.3]:

M. CLEMENT, J. MICHAUD, *Overvoltages on the low voltage distribution networks*, CIREN, 1993.

Surge coordination between SPDs and RCDs or overcurrent devices [6.2.4.3]:

J. SCHONAU, F. NOACK, R. BROCKE, *Coordination of fuses and overvoltages protection devices in low voltage mains*. Fifth International Conference on Electrical Fuses and their Applications, 1995.

Coordination of SPDs [6.2.6]:

P. HASSE, P. ZAHLMANN, J. WIESINGER, W. ZISCHANK, *Principle for an advanced coordination of surge protective devices in low voltage systems*, ICLP 1994.

A. ROUSSEAU, T. PERCHE, *Coordination of surge arresters in the low voltage field*, INTELEC, 1995.

F. MARTZLOFF, J.S. LAI, *Coordinating cascaded surge protective devices: high-low versus low-high*, IEEE IAS, 1991.

J. HUSE et al., *Coordination of surge protective devices in power supply systems: need for a secondary protection*, ICLP, 1992.

Risk analysis [Clause 7]:

A. ROUSSEAU, Choice of low voltage surge arresters based on risk analysis, *Power Quality*, 1995.

General advice on protection of electronic equipment within or on structures against lightning, BS6651 Informative Appendix C, British Standards Institution, 1992.

Information [Annex A]:

IEC 60099-4:2004, *Surge arresters – Part 4: Metal-oxide surge arresters without gaps for a.c. systems*, 1998.

Environment [Annex C]:

IEEE *Recommended practice on surge voltages in low-voltage a.c. power circuits* C 62-41, 1991.

Application principles [Annex G]:

IEC 60099-5, *Surge arresters – Part 5: Selection and application recommendations*, 1995.

SOMMAIRE

AVANT-PROPOS.....	162
0 Introduction.....	165
0.1 Généralités.....	165
0.2 Clés pour comprendre la structure de la présente norme.....	165
1 Domaine d'application.....	168
2 Références normatives.....	168
3 Termes, définitions et termes abrégés.....	169
3.1 Termes et définitions.....	169
3.2 Liste des abréviations et des acronymes utilisés dans la présente norme.....	181
4 Systèmes et matériels à protéger.....	183
4.1 Réseaux de distribution basse tension.....	183
4.1.1 Surtensions et courants de foudre.....	183
4.1.2 Surtensions de coupure.....	184
4.1.3 Surtensions temporaires U_{TOV}	184
4.2 Caractéristiques des matériels à protéger.....	186
5 Parafoudres.....	187
5.1 Fonctions de base des parafoudres.....	187
5.2 Exigences supplémentaires.....	187
5.3 Classification des parafoudres.....	187
5.3.1 Parafoudres: classification.....	187
5.3.2 Conception et topologies courantes.....	188
5.4 Caractéristiques des parafoudres.....	189
5.4.1 Conditions de service décrites dans la CEI 61643-1.....	189
5.4.2 Liste des paramètres pour le choix des parafoudres.....	190
5.5 Informations supplémentaires sur les caractéristiques des parafoudres.....	191
5.5.1 Informations liées aux tensions du réseau.....	191
5.5.2 Informations concernant les courants de choc.....	192
5.5.3 Informations relatives au niveau de protection en tension fourni par les parafoudres.....	193
5.5.4 Informations relatives aux modes de défaillances des parafoudres.....	195
5.5.5 Informations relatives à la tenue aux courts-circuits.....	196
5.5.6 Informations relatives au courant de charge I_L et à la chute de tension (pour les parafoudres à deux accès ou à un accès avec bornes d'entrée et de sortie séparées).....	196
5.5.7 Informations relatives aux variations des caractéristiques des parafoudres.....	196
6 Mise en œuvre des parafoudres dans les réseaux de distribution basse tension.....	197
6.1 Installation et son effet sur la protection assurée par les parafoudres.....	197
6.1.1 Modes possibles de protection et d'installation.....	197
6.1.2 Influence des phénomènes d'oscillation sur la distance de protection (appelée distance de séparation dans certains pays).....	200
6.1.3 Influence de la longueur des câbles de connexion.....	201
6.1.4 Nécessité d'une protection complémentaire.....	202
6.1.5 Considération concernant l'emplacement du parafoudre en fonction des classes d'essai.....	203
6.1.6 Concept de zone de protection.....	204
6.2 Choix du parafoudre.....	205

6.2.1	Choix de U_C , U_T , I_n , I_{imp} , I_{max} et U_{OC} du parafoudre	206
6.2.2	Distance de protection	209
6.2.3	Durée de vie et mode de défaillance présumés	210
6.2.4	Interaction entre les parafoudres et d'autres dispositifs	210
6.2.5	Choix du niveau de protection en tension U_p	212
6.2.6	Coordination entre le parafoudre choisi et les autres parafoudres	212
6.3	Caractéristiques des dispositifs auxiliaires	215
6.3.1	Dispositifs de déconnexion	215
6.3.2	Compteurs de chocs	215
6.3.3	Indicateur d'état	215
7	Analyse du risque	215
Annexe A (informative) Informations types sur les enquêtes, appels d'offre et explication des procédures d'essai		217
A.1	Informations données avec les enquêtes	217
A.1.1	Données du réseau	217
A.1.2	Considérations sur le fonctionnement du parafoudre	217
A.1.3	Caractéristiques du parafoudre	217
A.1.4	Matériels complémentaires et fixations	218
A.1.5	Toutes autres conditions anormales	218
A.2	Informations pour les appels d'offre	218
A.3	Explication sur les procédures d'essai utilisées dans la CEI 61643-1	218
A.3.1	Détermination de U_{RES} pour les parafoudres soumis aux essais selon les essais de classes I et II	218
A.3.2	Forme d'onde de choc pour la détermination de U_{RES}	219
A.3.3	Influence d'un filtre de retour sur la détermination de U_{RES}	219
A.3.4	Essai de fonctionnement pour les parafoudres	219
A.3.5	Essai de défaillance des surtensions temporaires	220
A.3.6	Différences dans les conditions d'essai des parafoudres de type 1 (classe d'essais I), de type 2 (classe d'essais II) et de type 3 (classe d'essais III)	220
A.3.7	Essai de tenue aux courts-circuits avec protection (éventuelle) contre les surintensités	221
Annexe B (informative) Exemples de relation entre U_C et la tension nominale utilisée dans certains réseaux, et exemples de relation entre U_p et U_C pour une varistance ZnO		222
B.1	Relation entre U_C et la tension nominale du réseau	222
B.2	Relation entre U_p et U_C pour une varistance ZnO	222
Annexe C (informative) Environnement – Tensions de chocs dans les réseaux BT		224
C.1	Généralités	224
C.2	Surtensions de foudre	224
C.2.1	Surtensions transmises du réseau MT au réseau BT	225
C.2.2	Surtensions dues à des coups de foudre directs sur les réseaux de distribution BT	225
C.2.3	Surtensions induites dans les réseaux de distribution BT	226
C.2.4	Surtensions causées par des impacts sur des systèmes de protection contre la foudre ou sur une zone à proximité immédiate	226
C.3	Surtensions de coupure	227
C.3.1	Description générale	228
C.3.2	Manœuvres de disjoncteurs et d'interrupteurs	228
C.3.3	Fonctionnements des fusibles (fusibles à courant limité)	229

Annexe D (informative) Calculs de courants de foudre partiels	231
Annexe E (informative) Surtension temporaire dans le réseau basse tension due à des défauts entre réseaux haute tension et terre	234
E.1 Généralités.....	234
E.2 Exemple d'un schéma TT – Calcul de surtensions temporaires possibles	235
E.2.1 Contraintes possibles sur des matériels dans des installations basse tension dues à des défauts à la terre dans le réseau haute tension	235
E.2.2 Caractéristiques du réseau haute tension.....	236
E.2.3 Surtensions temporaires dans un réseau basse tension dues à des défauts du réseau haute tension	236
E.2.4 Conclusions	237
E.3 Valeurs des surtensions temporaires selon la CEI 60364-4-44	237
E.4 Valeurs des surtensions temporaires pour le schéma TN C-S des USA	247
Annexe F (informative) Règles et principes de coordination	249
F.1 Généralités.....	249
F.2 Etudes analytiques: cas simple de la coordination de deux parafoudres à varistances ZnO	249
F.2.1 Généralités.....	249
F.2.2 Conclusion	252
F.3 Etude analytique: cas de la coordination entre un parafoudre à éclateur et un parafoudre à varistance ZnO	253
F.3.1 Généralités.....	253
F.3.2 Exemple de calcul des valeurs requises estimées pour une inductance de découplage entre un éclateur et une varistance.....	253
F.3.3 Conclusion	255
F.4 Etude analytique: coordination générale de deux parafoudres	255
F.5 Méthode d'énergie de non-fonctionnement (LTE).....	256
F.5.1 Généralités.....	256
F.5.2 Méthode	257
Annexe G (informative) Exemples d'utilisation	260
G.1 Utilisation domestique	260
G.2 Utilisation industrielle	262
G.3 Présence d'un système de protection contre la foudre	267
Annexe H (informative) Exemples d'application de l'analyse des risques	269
Annexe I (informative) Contraintes de réseaux.....	273
I.1 Courants et surtensions de foudre [4.1.1]	273
I.1.1 Aspects des réseaux de distribution ayant un effet sur la nécessité d'un parafoudre.....	273
I.1.2 Partage du courant de choc dans une structure.....	273
I.2 Surtensions de coupure [4.1.2]	275
I.3 Surtensions temporaires U_{TOV} [4.1.3].....	275
Annexe J (informative) Critères de sélection des parafoudres	277
J.1 Caractéristique de la surtension temporaire U_T [5.5.1.2]	277
J.2 Modes de défaillance des parafoudres [5.5.4].....	277
Annexe K (informative) Utilisation des parafoudres	280
K.1 Emplacement et protection apportés par les parafoudres [6.1].....	280
K.1.1 Modes possibles de protection et d'installation [6.1.1]	280

K.1.2 Influence des phénomènes d'oscillation sur la distance de protection [6.1.2].....	289
K.1.3 Concept de la zone de protection [6.1.6]	290
K.2 Choix des parafoudres	292
K.2.1 Choix de U_C [6.2.1].....	292
K.2.2 Problèmes de coordination [6.2.6.2]	293
K.2.3 Cas pratiques [6.2.6.3]	296
Annexe L (informative) Analyse des risques.....	297
L.1 Groupe A – Paramètres d'environnement	297
L.2 Groupe B – Matériels et installations	298
L.3 Groupe C – Aspects économiques et interruption de service	298
L.4 Groupe D – Sécurité.....	299
L.5 Groupe E – Dépenses relatives à la protection	299
Annexe M (informative) Immunité par rapport à la tenue à l'isolement.....	300
Annexe N (informative) Exemples d'installation de parafoudres dans les tableaux de distribution de certains pays	302
Annexe O (informative) Coordination dans le cas d'un matériel présentant à la fois des bornes de télécommunication et de puissance	307
Annexe P (informative) Protection de secours contre les courts-circuits et tenue aux chocs.....	314
P.1 Introduction	314
P.2 Informations relatives à la tenue des fusibles aux ondes de choc 8/20 et 10/350.....	314
P.3 Facteurs influençant les fusibles (réduction) pour l'essai de préconditionnement et l'essai de fonctionnement.....	315
P.4 Exemples spécifiques avec plage estimée de facteurs pour la réduction de la tenue aux fusibles à une onde de choc.....	315
Bibliographie.....	317
Figure 1 – Exemples de parafoudres à un accès.....	175
Figure 2 – Exemples de parafoudres à deux accès	176
Figure 3 – Réponse en tension de sortie de parafoudres à un accès et à deux accès à une onde de choc combinée	178
Figure 4 – Valeurs maximales des U_{TOV} conformément à la CEI 60634-4-44.....	186
Figure 5 – Exemples de composants et de combinaisons de composants	189
Figure 6 – Relation entre U_p , U_0 , U_C et U_{CS}	191
Figure 7 – Courbe typique de U_{res} en fonction de I pour les varistances ZnO	194
Figure 8 – Courbe typique d'un éclateur.....	195
Figure 9 – Organigramme d'utilisation des parafoudres.....	197
Figure 10 – Connexion de type 1 (CT1)	198
Figure 11 – Connexion de type 2 (CT2)	199
Figure 12 – Influence des longueurs des câbles de connexion des parafoudres.....	202
Figure 13 – Nécessité d'une protection complémentaire.....	203
Figure 14 – Organigramme pour le choix d'un parafoudre	205
Figure 15 – U_T et U_{TOV}	208
Figure 16 – Utilisation type de deux parafoudres – Schéma électrique.....	213
Figure D.1 – Calcul simple de la somme des courants de foudre partiels dans un réseau de distribution d'énergie	231

Figure E.1 – Surtension temporaire à fréquence industrielle due à un défaut à la terre du réseau haute tension	235
Figure E.2 – Schémas TN	238
Figure E.3 – Schémas TT	239
Figure E.4 – Schéma IT, exemple a	240
Figure E.5 – Schéma IT, exemple b	241
Figure E.6 – Schéma IT, exemple c1	242
Figure E.7 – Schéma IT, exemple c2	243
Figure E.8 – Schéma IT, exemple d	244
Figure E.9 – Schéma IT, exemple e1	245
Figure E.10 – Schéma IT, exemple e2	246
Figure E.11 – Schéma TN-C-S des USA	247
Figure F.1 – Deux varistances ZnO ayant le même courant nominal de décharge	250
Figure F.2 – Deux varistances ZnO avec des courants nominaux de décharge différents	252
Figure F.3 – Exemple de coordination d'un parafoudre à éclateur et d'un parafoudre à varistance ZnO	255
Figure F.4 – LTE – Méthode de coordination avec les paramètres d'une impulsion normale	256
Figure G.1 – Installation domestique	262
Figure G.2 – Installation industrielle	265
Figure G.3 – Circuits de l'installation industrielle	266
Figure G.4 – Exemple de système de protection contre la foudre	268
Figure I.1 – Exemple d'écoulement du courant de foudre dans les raccordements externes de service (schéma TT)	274
Figure J.1 – Courbe caractéristique pour U_T d'un parafoudre	277
Figure J.2 – Déconnecteur interne dans le cas d'un parafoudre à deux accès	278
Figure J.3 – Utilisation de parafoudres montés en parallèle	279
Figure K.1 – Installation de parafoudres dans des réseaux TN	281
Figure K.2a – Connexion de type 1	282
Figure K.2b – Connexion de type 2	283
Figure K.2 – Installation de parafoudres dans des schémas TT (parafoudre placé en aval du DDR)	283
Figure K.3 – Installation de parafoudres dans des schémas TT (parafoudre placé en amont du DDR)	284
Figure K.4 – Installation de parafoudres dans des schémas IT sans neutre distribué	285
Figure K.5 – Installation caractéristique de parafoudres à l'entrée d'une installation dans le cas d'un schéma TN C-S	286
Figure K.6 – Façon générale d'installation de parafoudres à un accès	287
Figure K.7 – Exemples d'installations acceptables et non acceptables de parafoudres vis-à-vis de la CEM	288
Figure K.8 – Représentations physique et électrique d'un réseau où le matériel protégé est séparé de la protection apportée par le parafoudre	289
Figure K.9 – Oscillation possible entre un parafoudre à oxyde de zinc et le matériel à protéger	290
Figure K.10 – Exemple de doublement de tension	290

Figure K.11 – Subdivision d'un bâtiment en zones de protection	291
Figure K.12a – Tension résiduelle sur les varistances.....	294
Figure K.12b – Répartition du courant entre deux varistances.....	295
Figure K.12 – Coordination de deux varistances ZnO.....	295
Figure N.1 – Schéma de câblage d'un parafoudre relié du côté charge de l'isolateur d'arrivée principal par l'intermédiaire d'un isolateur séparé (qui pourrait être inclus dans l'enveloppe du parafoudre).....	302
Figure N.2 – Parafoudre relié au disjoncteur principal à l'arrivée disponible le plus proche de l'alimentation d'entrée (installation TNS généralement rencontrée au Royaume-Uni).....	303
Figure N.3 – Schéma de câblage monophasé d'un parafoudre relié en dérivation sur la première sortie du tableau de distribution par l'intermédiaire d'un fusible (ou disjoncteur principal).....	304
Figure N.4 – Parafoudre relié au disjoncteur disponible le plus proche sur l'alimentation d'entrée (installation TN-C-S, 4W + G triphasée rencontrée aux Etats-Unis).....	305
Figure N.5 – Parafoudre relié au disjoncteur disponible le plus proche sur l'alimentation d'entrée (réseau 120/240V, 3W + G monophasé (phases séparées) rencontré aux Etats-Unis – typique pour les applications résidentielles et des petites entreprises)	306
Figure O.1 – Exemple d'ordinateur avec modem dans un réseau de puissance et de communication rencontré aux Etats-Unis	308
Figure O.2 – Schéma du circuit de la Figure O.1 utilisé pour les essais expérimentaux.....	309
Figure O.3 – Tension enregistrée aux points de référence pour l'ordinateur/le modem au cours d'une onde de choc dans l'exemple	310
Figure O.4 – Schéma TT typique utilisé pour les simulations	311
Figure O.5 – Formes d'ondes de tension et de courant lorsqu'un parafoudre multifonction est appliqué au circuit de la Figure O.1	313
Tableau 1 – Valeurs maximales des surtensions temporaires figurant dans la CEI 60634-4-44	185
Tableau 2 – Valeurs préférentielles de I_{imp}	193
Tableau 3 – Modes possibles de protection pour différents réseaux BT	200
Tableau 4 – Valeur de U_C minimale recommandée du parafoudre pour les différents réseaux d'alimentation	206
Tableau 5 – Valeurs d'essai de surtension temporaire types.....	207
Tableau B.1 – Relation entre U_C et la tension nominale du réseau.....	222
Tableau B.2 – Relation entre U_p et U_C pour des varistances ZnO	223
Tableau F.1 –	258
Tableau F.2 –	258
Tableau F.3 –	258
Tableau O.1 – Résultats de simulation.....	312
Tableau P.1 – Exemples de rapport entre la tenue à une onde de choc et l'ensemble de l'essai de préconditionnement/fonctionnement	316

COMMISSION ÉLECTROTECHNIQUE INTERNATIONALE

PARAFONDRES BASSE TENSION –

Partie 12: Parafoudres connectés aux réseaux de distribution basse tension – Principes de choix et d'application

AVANT-PROPOS

- 1) La Commission Electrotechnique Internationale (CEI) est une organisation mondiale de normalisation composée de l'ensemble des comités électrotechniques nationaux (Comités nationaux de la CEI). La CEI a pour objet de favoriser la coopération internationale pour toutes les questions de normalisation dans les domaines de l'électricité et de l'électronique. A cet effet, la CEI – entre autres activités – publie des Normes internationales, des Spécifications techniques, des Rapports techniques, des Spécifications accessibles au public (PAS) et des Guides (ci-après dénommés "Publication(s) de la CEI"). Leur élaboration est confiée à des comités d'études, aux travaux desquels tout Comité national intéressé par le sujet traité peut participer. Les organisations internationales, gouvernementales et non gouvernementales, en liaison avec la CEI, participent également aux travaux. La CEI collabore étroitement avec l'Organisation Internationale de Normalisation (ISO), selon des conditions fixées par accord entre les deux organisations.
- 2) Les décisions ou accords officiels de la CEI concernant les questions techniques représentent, dans la mesure du possible, un accord international sur les sujets étudiés, étant donné que les Comités nationaux de la CEI intéressés sont représentés dans chaque comité d'études.
- 3) Les Publications de la CEI se présentent sous la forme de recommandations internationales et sont agréées comme telles par les Comités nationaux de la CEI. Tous les efforts raisonnables sont entrepris afin que la CEI s'assure de l'exactitude du contenu technique de ses publications; la CEI ne peut pas être tenue responsable de l'éventuelle mauvaise utilisation ou interprétation qui en est faite par un quelconque utilisateur final.
- 4) Dans le but d'encourager l'uniformité internationale, les Comités nationaux de la CEI s'engagent, dans toute la mesure possible, à appliquer de façon transparente les Publications de la CEI dans leurs publications nationales et régionales. Toutes divergences entre toutes Publications de la CEI et toutes publications nationales ou régionales correspondantes doivent être indiquées en termes clairs dans ces dernières.
- 5) La CEI n'a prévu aucune procédure de marquage valant indication d'approbation et n'engage pas sa responsabilité pour les équipements déclarés conformes à une de ses Publications.
- 6) Tous les utilisateurs doivent s'assurer qu'ils sont en possession de la dernière édition de cette publication.
- 7) Aucune responsabilité ne doit être imputée à la CEI, à ses administrateurs, employés, auxiliaires ou mandataires, y compris ses experts particuliers et les membres de ses comités d'études et des Comités nationaux de la CEI, pour tout préjudice causé en cas de dommages corporels et matériels, ou de tout autre dommage de quelque nature que ce soit, directe ou indirecte, ou pour supporter les coûts (y compris les frais de justice) et les dépenses découlant de la publication ou de l'utilisation de cette Publication de la CEI ou de toute autre Publication de la CEI, ou au crédit qui lui est accordé.
- 8) L'attention est attirée sur les références normatives citées dans cette publication. L'utilisation de publications référencées est obligatoire pour une application correcte de la présente publication.
- 9) L'attention est attirée sur le fait que certains des éléments de la présente Publication de la CEI peuvent faire l'objet de droits de propriété intellectuelle ou de droits analogues. La CEI ne saurait être tenue pour responsable de ne pas avoir identifié de tels droits de propriété et de ne pas avoir signalé leur existence.

La Norme internationale CEI 61643-12 a été établie par le sous-comité 37A: Dispositifs de protection basse tension contre les surtensions, du comité d'études 37 de la CEI: Parafoudres.

Cette deuxième édition de la CEI 61643-12 annule et remplace la première édition parue en 2002. Elle constitue une révision technique. Le changement spécifique par rapport à l'édition précédente est l'intégration de l'Amendement 1, qui n'a pas été publié séparément en raison du nombre important de modifications et de pages.

La présente norme doit être utilisée conjointement avec la CEI 61643-1:2005, *Parafoudres basse tension – Partie 1: Parafoudres connectés aux réseaux de distribution basse tension – Exigences et essais*.

Le texte de cette norme est issu des documents suivants:

FDIS	Rapport de vote
37A/209/FDIS	37A/212/RVD

Cette publication a été rédigée selon les Directives ISO/CEI, Partie 3.

Les CE 37, SC 37A et SC 37B de la CEI ont adopté un nouveau plan de numérotation de toutes les publications CEI qu'ils ont développées.

Dans la présente norme, la série de publications CEI 61643 couvre toutes les publications des SC 37A et SC 37B, selon le tableau ci-dessous, sous le titre général commun *Parafoudres basse tension*.

Publication	Titre	Document actuel
CEI 61643	Parafoudres basse tension	–
CEI 61643-11	Parafoudres basse tension – Partie 11: Parafoudres connectés aux réseaux de distribution basse tension – Exigences de fonctionnement et méthodes d'essais	CEI 61643-1
CEI 61643-12	Parafoudres basse tension – Partie 12: Parafoudres connectés aux réseaux de distribution basse tension – Principes de choix et d'application	CEI 61643-12
CEI 61643-21	Parafoudres basse tension – Partie 21: Parafoudres connectés aux réseaux de signaux et de télécommunications – Exigences de fonctionnement et méthodes d'essais	CEI 61643-21
CEI 61643-22	Parafoudres basse tension – Partie 22: Parafoudres connectés aux réseaux de signaux et de télécommunications – Principes de choix et d'application	CEI 61643-22
CEI 61643-301	Parafoudres basse tension – Partie 301: Composants pour parafoudres – Spécifications générales d'essais	
CEI 61643-302	Parafoudres basse tension – Partie 302: Composants pour parafoudres – Spécifications générales de performances	
CEI 61643-303	Parafoudres basse tension – Partie 303: Composants pour parafoudres – Principes généraux de choix et d'application	
CEI 61643-311	Parafoudres basse tension – Partie 311: Composants pour parafoudres – Spécifications d'essais pour les tubes à décharge (GDTs)	CEI 61643-311
CEI 61643-312	Parafoudres basse tension – Composants pour parafoudres – Partie 312: Spécifications de performance pour les tubes à décharge (GDTs)	
CEI 61643-313	Parafoudres basse tension – Partie 313: Composants pour parafoudres – Principes de choix et d'application pour les tubes à décharge (GDTs)	
CEI 61643-321	Parafoudres basse tension – Partie 321: Composants pour parafoudres – Spécifications d'essais pour les diodes à avalanche (ABDs)	CEI 61643-321
CEI 61643-322	Parafoudres basse tension – Partie 322: Composants pour parafoudres – Spécifications de performance pour les diodes à avalanche (ABDs)	
CEI 61643-323	Parafoudres basse tension – Partie 323: Composants pour parafoudres – Principes de choix et d'application pour les diodes à avalanche (ABDs)	
CEI 61643-331	Parafoudres basse tension – Partie 331: Composants pour parafoudres – Spécifications d'essais pour les varistances à oxyde métallique (MOVs)	CEI 61643-331
CEI 61643-332	Parafoudres basse tension – Partie 332: Composants pour parafoudres – Spécifications de performance pour les varistances à oxyde métallique (MOVs)	
CEI 61643-333	Parafoudres basse tension – Partie 333: Composants pour parafoudres – Principes de choix et d'application pour les varistances à oxyde métallique (MOVs)	
CEI 61643-341	Parafoudres basse tension – Partie 341: Composants pour parafoudres – Spécifications d'essais pour les parafoudres à thyristor	CEI 61643-341
CEI 61643-342	Parafoudres basse tension – Partie 342: Composants pour parafoudres – Spécifications de performance pour les parafoudres à thyristor	

CEI 61643-343	Parafoudres basse tension – Partie 343: Composants pour parafoudres – Principes de choix et d'application pour les parafoudres à thyristor	
---------------	---	--

Le comité a décidé que le contenu de cette publication ne sera pas modifié avant la date de maintenance indiquée sur le site web de la CEI sous "<http://webstore.iec.ch>" dans les données relatives à la publication recherchée. A cette date, la publication sera

- reconduite,
- supprimée,
- remplacée par une édition révisée, ou
- amendée.

.....

0 Introduction

0.1 Généralités

Les parafoudres sont utilisés pour protéger, dans des conditions spécifiques, les systèmes et appareils électriques contre les variations des surtensions et courants de choc, telles que les surtensions dues à la foudre et les surtensions de coupure.

Les parafoudres doivent être choisis selon leur exposition et le taux acceptable de défaillance du matériel et des parafoudres.

La présente norme fournit des informations à l'utilisateur sur les caractéristiques utiles pour choisir un parafoudre.

La présente norme fournit des informations pour évaluer, par rapport à la CEI 62305, Parties 1 à 4 et à la série CEI 60364, la nécessité d'utiliser des parafoudres dans des réseaux basse tension. Elle fournit des informations concernant le choix et la coordination des parafoudres, tout en tenant compte de l'environnement global dans lequel ils sont mis en œuvre. Exemples: matériel à protéger, caractéristiques du système, niveaux d'isolation, surtensions, méthode d'installation, emplacement des parafoudres, coordination des parafoudres, mode de défaillance des parafoudres et conséquences des défaillances pour les matériels.

Elle donne également des indications sur l'analyse du risque.

Des indications sur les exigences de coordination de l'isolement des produits sont données dans la CEI 60664. Des exigences de sécurité (incendie, surintensités et chocs électriques) et d'installation sont données dans la série CEI 60364.

Les publications de la série CEI 60364 donnent des informations directes aux installateurs pour l'installation des parafoudres. La CEI/TR 62066 donne plus d'informations sur l'arrière-plan scientifique de la protection contre les chocs de foudre.

0.2 Clés pour comprendre la structure de la présente norme

La liste ci-dessous résume la structure de la présente norme et les informations données dans les articles et les annexes. Les articles principaux fournissent des informations de base sur les facteurs utilisés pour le choix des parafoudres. Il est conseillé aux lecteurs souhaitant obtenir plus de détails sur les renseignements fournis aux Articles 4 à 7 de se référer aux annexes appropriées.

L'Article 1 décrit le domaine d'application de la présente norme.

L'Article 2 donne les références normatives dans lesquelles des informations complémentaires peuvent être trouvées.

L'Article 3 donne les définitions utiles pour la compréhension de la présente norme.

L'Article 4 traite des paramètres des systèmes et des matériels applicables aux parafoudres. En plus des contraintes dues à la foudre, celles créées par le réseau lui-même, à savoir les surtensions temporaires et les surtensions de coupure, sont décrites.

L'Article 5 liste les paramètres électriques utilisés pour la sélection d'un parafoudre et donne quelques explications concernant ces paramètres. Ceux-ci sont en relation avec les données de la CEI 61643-1.

L'Article 6 est l'article principal de cette norme. Il compare les contraintes provenant du réseau (Article 4) et les caractéristiques du parafoudre (Article 5). Il indique comment la protection donnée par les parafoudres peut être affectée par son installation. Les différentes étapes dans le choix d'un parafoudre sont présentées, incluant les problèmes de coordination lorsque plus d'un parafoudre est utilisé dans une installation (des détails sur la coordination peuvent être trouvés en Annexe F).

L'Article 7 est une introduction à l'analyse du risque (considérations sur l'utilité d'utiliser un parafoudre).

L'Article 8 traite de la coordination entre les lignes de télécommunication et de puissance. Cet article est à l'étude.

L'Annexe A donne des informations nécessaires sur les appels d'offre et des explications sur les procédures d'essai utilisées dans la CEI 61643-1.

L'Annexe B donne des exemples de relation entre les deux paramètres importants des parafoudres, U_c et U_p , dans le cas spécifique des varistances ZnO et aussi de la relation entre U_c et la tension nominale du réseau.

L'Annexe C complète les informations données à l'Article 4 sur les tensions de choc dans les réseaux basse tension.

L'Annexe D traite des calculs du partage des courants de foudre entre les différents systèmes de mise à la terre.

L'Annexe E traite des calculs des surtensions temporaires dues à des défauts dans le réseau haute tension.

L'Annexe F complète les informations données à l'Article 6 sur les règles de coordination lorsque plus d'un parafoudre est utilisé dans un réseau.

L'Annexe G présente des exemples spécifiques d'application de cette norme.

L'Annexe H présente des exemples spécifiques de l'utilisation de l'analyse du risque.

L'Annexe I complète les informations données à l'Article 4 sur les contraintes du réseau.

L'Annexe J complète les informations données à l'Article 5 sur les critères de choix des parafoudres.

L'Annexe K complète les informations données à l'Article 6 sur l'utilisation des parafoudres dans différents réseaux basse tension.

L'Annexe L complète les informations données à l'Article 7 sur les paramètres utilisés dans les analyses du risque.

L'Annexe M traite des différences entre le niveau d'immunité et la tenue à l'isolement des appareils électriques.

L'Annexe N donne des exemples pratiques d'une installation de parafoudre telle qu'elle est utilisée dans certains pays.

L'Annexe O traite des problèmes de coordination avec un matériel présentant à la fois des bornes de télécommunication et de puissance.

L'Annexe P donne des informations sur la tenue des fusibles dans des conditions de surtension.

PARAFONDRES BASSE TENSION –

Partie 12: Parafoudres connectés aux réseaux de distribution basse tension – Principes de choix et d'application

1 Domaine d'application

La présente partie de la CEI 61643 décrit les principes relatifs au choix, à la mise en œuvre, à l'emplacement et à la coordination des parafoudres à connecter sur des circuits de puissance 50 Hz à 60 Hz en courant alternatif et des circuits en courant continu, et des matériels de puissance allant jusqu'à 1 000 V en valeur efficace ou 1 500 V en courant continu.

NOTE 1 Des exigences complémentaires peuvent être nécessaires pour des applications particulières telles que traction électrique, etc.

NOTE 2 Il convient de rappeler que la série CEI 60364 et la CEI 62305-4 s'appliquent également.

NOTE 3 La présente norme traite seulement des parafoudres et non des composants de parafoudres intégrés dans un matériel.

2 Références normatives

Les documents de référence suivants sont indispensables pour l'application du présent document. Pour les références datées, seule l'édition citée s'applique. Pour les références non datées, la dernière édition du document de référence s'applique (y compris les éventuels amendements).

CEI 60061-1, *Lamp caps and holders together with gauges for the control of interchangeability and safety – Part 1: Lamp caps* (disponible en anglais seulement)

CEI 60364 (toutes les parties), *Installations électriques à basse tension*

CEI 60364-4-41, *Installations électriques à basse tension – Partie 4-41: Protection pour assurer la sécurité – Protection contre les chocs électriques*

CEI 60364-4-44, *Installations électriques à basse tension – Partie 4-44: Protection pour assurer la sécurité – Protection contre les perturbations de tension et les perturbations électromagnétiques*

CEI 60364-5-53:2001, *Installations électriques des bâtiments – Partie 5-53: Choix et mise en œuvre des matériels électriques – Sectionnement, coupure et commande*

CEI 60529, *Degrés de protection procurés par les enveloppes (Code IP)*

CEI 60664-1, *Coordination de l'isolement des matériels dans les systèmes (réseaux) à basse tension – Partie 1: Principes, exigences et essais*

CEI 61000-4-5, *Compatibilité électromagnétique (CEM) – Partie 4-5: Techniques d'essai et de mesure – Essai d'immunité aux ondes de choc*

CEI 61008-1, *Interrupteurs automatiques à courant différentiel résiduel pour usages domestiques et analogues sans dispositif de protection contre les surintensités incorporé (ID) – Partie 1: Règles générales*

CEI 61009-1, *Interrupteurs automatiques à courant différentiel résiduel avec protection contre les surintensités incorporée pour installations domestiques et analogues (DD) – Partie 1: Règles générales*

CEI 62305-1, *Protection contre la foudre – Partie 1: Principes généraux*

CEI 62305-2, *Protection contre la foudre – Partie 2: Evaluation des risques*

CEI 62305-3, *Protection contre la foudre – Partie 3: Dommages physiques sur les structures et risques humains*

CEI 62305-4, *Protection contre la foudre – Partie 4: Réseaux de puissance et de communication dans les structures*

CEI 61643-1, *Parafoudres basse tension – Partie 1: Parafoudres connectés aux réseaux de distribution basse tension – Exigences et essais*

3 Termes, définitions et termes abrégés

3.1 Termes et définitions

Pour les besoins du présent document, les termes, définitions et termes abrégés suivants s'appliquent.

NOTE Ces termes et définitions, pour la plupart, ont été reproduits de la CEI 61643-1 (le numéro de la définition étant indiqué entre crochets). Pour une meilleure compréhension de l'utilisation des parafoudres, une note a été ajoutée lorsque cela était nécessaire.

3.1.1

parafoudre

dispositif destiné à limiter les surtensions transitoires et à écouler les courants de choc. Il inclut au moins un composant non linéaire

[définition 3.1 de la CEI 61643-1]

3.1.2

courant de fonctionnement permanent

I_c

courant s'écoulant à travers chaque mode de protection du parafoudre lorsqu'il est alimenté sous la tension maximale de régime permanent (U_c) pour chaque mode

3.1.3

tension maximale de régime permanent

U_c

tension maximale efficace ou en courant continu, qui peut être appliquée en régime permanent au mode de protection des parafoudres. Elle est égale à la tension assignée

[définition 3.11 de la CEI 61643-1]

3.1.4**niveau de protection en tension** U_p

paramètre qui caractérise le fonctionnement du parafoudre par limitation de la tension entre ses bornes et qui est choisi dans la liste des valeurs préférentielles. Cette valeur est supérieure à la valeur la plus élevée obtenue lors de la mesure de la tension de limitation

[définition 3.15 de la CEI 61643-1]

3.1.5**tension de limitation mesurée**

amplitude maximale de tension apparaissant aux bornes du parafoudre lors d'une impulsion de choc de forme d'onde et d'amplitude spécifiées

[définition 3.16 de la CEI 61643-1]

3.1.6**tension résiduelle** U_{res}

valeur crête de la tension qui apparaît entre les bornes d'un parafoudre pendant le passage du courant de décharge

[définition 3.17 de la CEI 61643-1]

3.1.7**valeur d'essai de surtension temporaire du parafoudre** U_T

tension d'essai appliquée, pour une durée spécifique, au parafoudre afin de simuler la contrainte dans des conditions de surtension temporaire

NOTE 1 Adapté de 3.18 de la CEI 61643-1 par l'ajout de la Note 2 suivante.

NOTE 2 Il s'agit d'une caractéristique déclarée par le fabricant, qui donne des informations sur le comportement du parafoudre lorsqu'il est soumis à des contraintes avec des tensions U_T supérieures à U_C pendant une durée spécifiée t_T (ce comportement peut être soit aucun changement de performance après application de la surtension temporaire, soit un défaut tel qu'il n'y ait pas de danger pour le personnel, le matériel ou l'installation).

3.1.8**valeur de surtension temporaire du réseau d'alimentation** U_{TOV}

surtension à fréquence industrielle sur le réseau en un emplacement donné, de durée relativement longue. Les surtensions temporaires peuvent être causées par des défauts à l'intérieur du réseau basse tension ($U_{TOV(BT)}$) ou dans le réseau haute tension ($U_{TOV(HT)}$)

NOTE Les surtensions temporaires, qui peuvent durer plusieurs secondes, sont généralement dues à des coupures ou à des défauts (par exemple, délestage subit, défauts simples, etc.) et/ou à des non-linéarités (effets de ferrorésonance, harmoniques, etc.).

3.1.9**courant nominal de décharge** I_n

valeur crête d'un courant de forme d'onde 8/20 s'écoulant dans le parafoudre. Il est utilisé pour la classification des parafoudres pour les essais de classe II et pour le préconditionnement de parafoudres pour des essais de classe I et II

[définition 3.8 de la CEI 61643-1]

3.1.10 courant de choc

I_{imp}

il est défini par trois paramètres, un courant crête, $I_{crête}$, une charge Q et une énergie spécifique W/R . Essayé conformément à la séquence d'essai de fonctionnement. Il est utilisé pour la classification des parafoudres pour l'essai de classe I

[définition 3.9 de la CEI 61643-1]

3.1.11 forme d'onde combinée

délivrée par un générateur appliquant une tension de choc 1,2/50 dans un circuit ouvert et un courant de choc 8/20 en court-circuit. La tension, l'amplitude du courant et les formes d'ondes délivrées au parafoudre sont déterminées par le générateur et par l'impédance du parafoudre sur laquelle la surtension est appliquée. Le rapport de la tension de crête en circuit ouvert sur le courant de crête en court-circuit est de 2Ω , cela étant défini comme une impédance fictive Z_f . Le courant de court-circuit est symbolisé par I_{sc} . La tension à circuit ouvert est symbolisée par U_{oc}

[définition 3.24 de la CEI 61643-1]

3.1.12 courant de choc 8/20

courant de choc dont la durée du front virtuel est de 8 μ s et dont la durée jusqu'à mi-valeur est de 20 μ s, pour lequel

- la durée du front est définie conformément à la CEI 60060-1 comme étant égale à $1,25 \times (t_{90} - t_{10})$, où t_{90} et t_{10} sont les instants où la tension atteint respectivement 90 % et 10 % de la valeur crête de l'onde sur le front montant;
- la durée jusqu'à la mi-valeur est définie comme l'intervalle de temps compris entre l'origine virtuelle et l'instant où la tension est retombée à 50 % de la valeur crête. L'origine virtuelle est l'intersection entre l'axe des abscisses de la droite passant par les points pour lesquels la tension est égale à 10 % et 90 % de la valeur crête de l'onde sur le front montant

[définition 3.23 de la CEI 61643-1]

3.1.13 tension de choc 1,2/50

tension de choc dont la durée du front virtuel est de 1,2 μ s et dont la durée jusqu'à mi-valeur est de 50 μ s, pour laquelle

- la durée du front est définie conformément à la CEI 60060-1 comme étant égale à $1,67 \times (t_{90} - t_{30})$, où t_{90} et t_{30} sont les instants où la tension atteint respectivement 90 % et 30 % de la valeur crête de l'onde sur le front montant;
- la durée jusqu'à la mi-valeur est définie comme l'intervalle de temps compris entre l'origine virtuelle et l'instant où la tension est retombée à 50 % de la valeur crête. L'origine virtuelle est l'intersection entre l'axe des abscisses de la droite passant par les points pour lesquels la tension est égale à 30 % et 90 % de la valeur crête de l'onde sur le front montant

[définition 3.22 de la CEI 61643-1]

3.1.14 emballement thermique

condition de fonctionnement où la puissance de dissipation dégagée dans le parafoudre dépasse la tenue de dissipation thermique de l'enveloppe et des connexions, conduisant à un accroissement cumulatif de la température des composants internes et à leur défaillance

[définition 3.25 de la CEI 61643-1]

3.1.15**stabilité thermique**

un parafoudre est thermiquement stable si, après l'essai de fonctionnement à l'origine de l'élévation de sa température, la température du parafoudre diminue dans le temps, le parafoudre étant alimenté sous une tension maximale de régime permanent et dans les conditions de température ambiante spécifiées

[définition 3.26 de la CEI 61643-1]

3.1.16**déconnecteur**

dispositif (interne et/ou externe) prescrit pour la déconnexion du parafoudre du réseau de puissance

NOTE Ce déconnecteur n'est pas prescrit pour obtenir le sectionnement. Il a pour but d'empêcher un défaut permanent sur le réseau et est utilisé pour donner une indication sur la défaillance du parafoudre.

Il peut exister plus d'une fonction de déconnecteur, par exemple une fonction de protection contre les surintensités et une fonction de protection thermique. Ces fonctions peuvent être incorporées dans une unité ou dans des unités séparées.

[définition 3.29 de la CEI 61643-1]

3.1.17**essais de type**

essais effectués lors du développement d'un nouveau parafoudre. Ils sont utilisés pour définir des performances représentatives et pour démontrer la conformité aux normes applicables. Une fois réalisés, ces essais n'ont pas besoin d'être répétés, sauf si la conception a évolué pour modifier ses performances. Dans ce cas, seuls les essais nécessaires sont répétés

[définition 3.31 de la CEI 61643-1]

3.1.18**essais individuels**

essais effectués sur chaque parafoudre ou sur des parties et des équipements tels qu'ils sont prescrits afin de s'assurer que le produit satisfait aux spécifications prévues

[définition 3.32 de la CEI 61643-1]

3.1.19**essais de réception**

essais effectués lorsqu'il y a accord entre le fabricant et l'acheteur sur les essais à effectuer sur le parafoudre ou sur des échantillons représentatifs

[définition 3.33 de la CEI 61643-1]

3.1.20**degré de protection procuré par l'enveloppe (code IP)**

extension de protection procurée par une enveloppe contre l'accès aux parties dangereuses, contre la pénétration d'objets solides et/ou d'eau (voir la CEI 60529)

[définition 3.30 de la CEI 61643-1]

3.1.21**chute de tension (en pourcentage)**

$$\Delta U = [(U_e - U_s) / U_e] \times 100 \%$$

où U_e est la tension d'entrée et U_s la tension de sortie mesurées de manière simultanée lorsque toute la charge résistive assignée est connectée. Ce paramètre n'est utilisé que pour les parafoudres à deux accès

[définition 3.20 de la CEI 61643-1]

3.1.22

perte d'insertion

pour une fréquence donnée, la perte d'insertion d'un parafoudre connecté à une alimentation donnée est définie comme le rapport des tensions apparaissant aux bornes immédiatement en amont du point d'insertion, avant et après insertion du parafoudre à l'essai. Ce résultat est exprimé en décibels (dB)

NOTE Les exigences et les essais sont à l'étude.

[définition 3.21 de la CEI 61643-1]

3.1.23

capacité de tenue aux chocs aval pour parafoudre à deux accès

aptitude d'un parafoudre à deux accès à résister aux chocs sur les bornes de sortie, issus des charges en aval du parafoudre

[définition 3.19 de la CEI 61643-1]

3.1.24

tenue au court-circuit

courant maximal de court-circuit présumé que le parafoudre peut supporter

NOTE 1 Adapté de 3.28 de la CEI 61643-1 par l'ajout de la Note 2 suivante.

NOTE 2 Cette définition se réfère au courant continu et au courant alternatif 50/60 Hz. Deux valeurs de tenue aux courts-circuits peuvent être définies pour les parafoudres à deux accès ou pour les parafoudres à un accès ayant des bornes d'entrée et de sortie séparées: une valeur correspondant à un court-circuit interne (shuntant la partie interne sous tension) et une autre valeur correspondant à un court-circuit externe (court-circuit côté charge) directement sur les bornes de sortie (cas d'un défaut dans la charge).

3.1.25

parafoudre à un accès

parafoudre connecté en dérivation du circuit à protéger. Un dispositif à un accès peut avoir des bornes d'entrée et de sortie séparées sans impédance spécifique en série entre ces bornes

NOTE 1 Adapté de 3.2 de la CEI 61643-1 par l'ajout de la Note 2 suivante.

NOTE 2 La Figure 1 représente des types de parafoudres à un accès et le schéma générique d'un parafoudre à un accès (Figure 1c). Un parafoudre à un accès peut être connecté en parallèle (Figure 1a) ou en série avec l'alimentation (Figure 1b). Dans le premier cas, le courant de charge ne s'écoule pas dans le parafoudre. Dans le deuxième cas, le courant de charge s'écoule à travers le parafoudre, et la température s'élève sous le courant de charge et le courant maximal admissible de charge associé peut être déterminé comme pour un parafoudre à deux accès. Les Figures 3b à 3d montrent la réponse de divers types de parafoudres à un accès à un choc de 8/20 appliqué par un générateur combiné.

3.1.26

parafoudre à deux accès

parafoudre équipé de deux jeux de bornes, entrée et sortie. Une impédance spécifique en série est insérée entre les alimentations et la charge

NOTE 1 Adapté de 3.3 de la CEI 61643-1 par l'ajout de la Note 2 suivante.

NOTE 2 La tension de limitation mesurée peut être plus élevée sur les bornes d'entrée que sur les bornes de sortie. C'est la raison pour laquelle le matériel à protéger est à connecter aux bornes de sortie. La Figure 2 montre des types de parafoudres à deux accès. Les Figures 3e et 3f montrent la réponse d'un parafoudre à deux accès à une onde 8/20 appliquée par un générateur combiné.

3.1.27

parafoudre de type coupure de tension

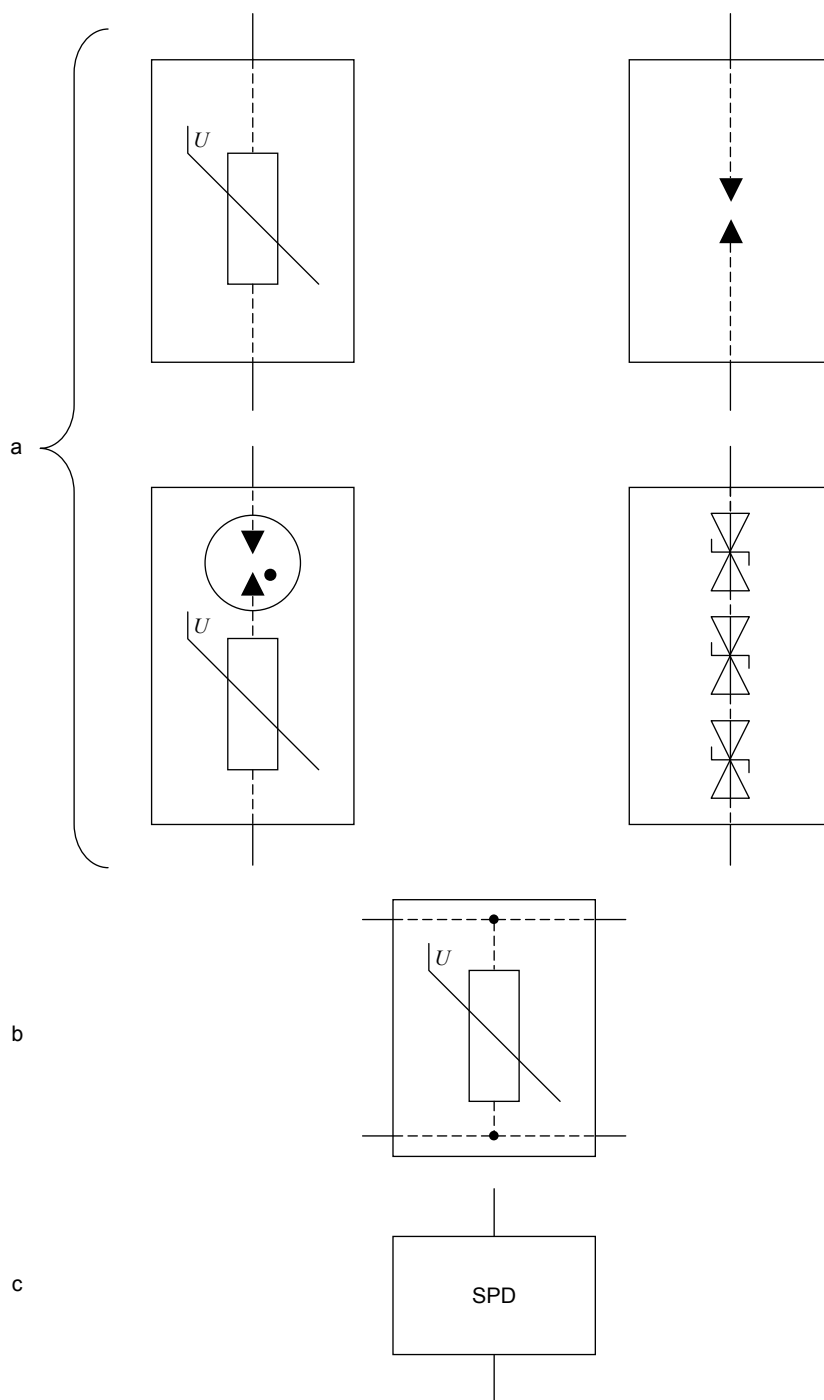
parafoudre présentant une impédance élevée en l'absence de choc, mais qui peut chuter rapidement en réponse à un choc

NOTE 1 Des composants habituels utilisés comme dispositifs à coupure de tension sont par exemple les éclateurs, les tubes à décharge (GDT), les thyristors (redresseurs contrôlés au silicium) et les triacs. Ces parafoudres sont parfois dits «de type crowbar».

NOTE 2 Adapté de 3.4 de la CEI 61643-1 par l'ajout de la Note 3 suivante.

NOTE 3 Un dispositif de coupure de tension présente une caractéristique discontinue de U en fonction de I . La Figure 3c montre la réponse d'un parafoudre de type coupure de tension à un choc appliqué par un générateur combiné.

.....

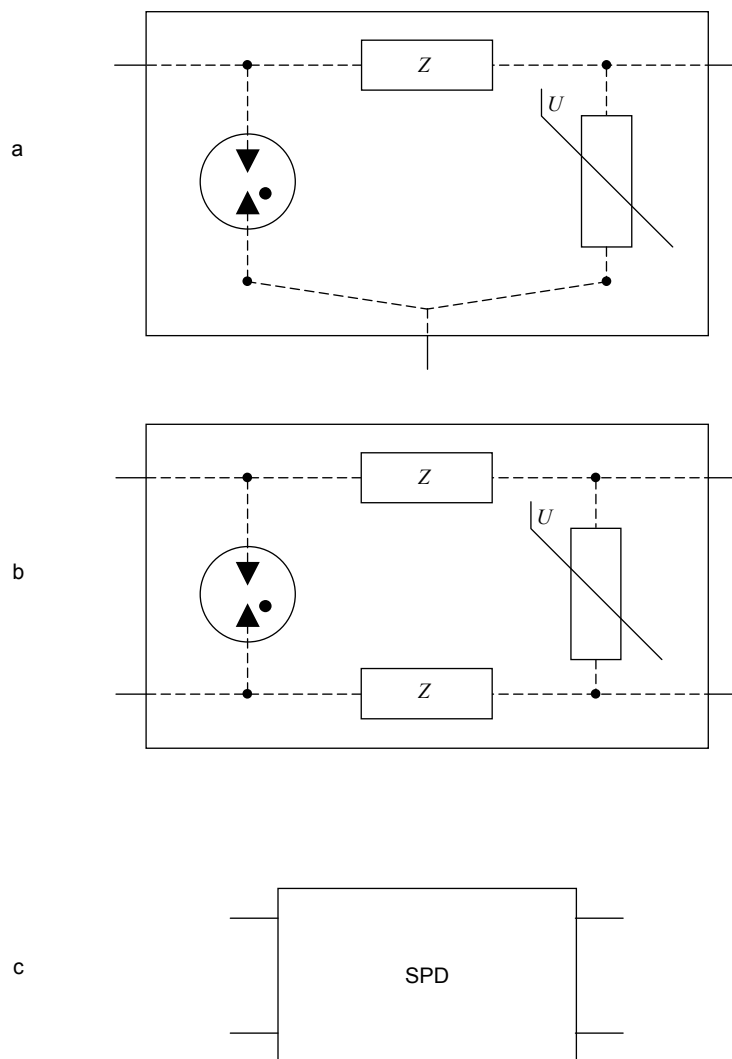


IEC 1907/08

Légende

- a Parafoudres à un accès
- b Parafoudre à un accès à bornes d'entrée/sortie séparées
- c Symbole générique d'un parafoudre à un accès

Figure 1 – Exemples de parafoudres à un accès



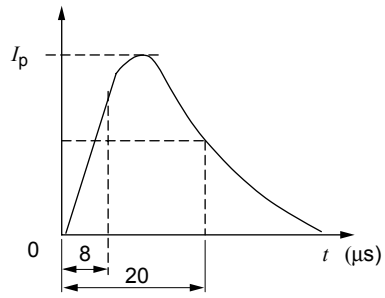
IEC 1908/08

Légende

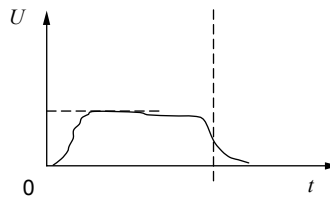
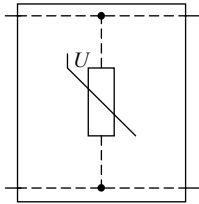
- a Parafoudre à deux accès à trois bornes
- b Parafoudre à deux accès à quatre bornes
- c Symbole générique d'un parafoudre à deux accès
- Z Impédance série entre les bornes d'entrée et de sortie

Figure 2 – Exemples de parafoudres à deux accès

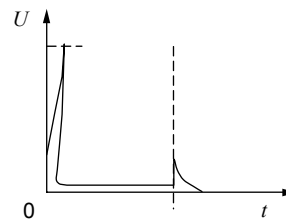
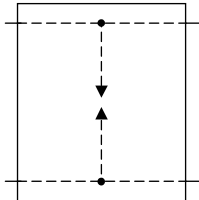
a



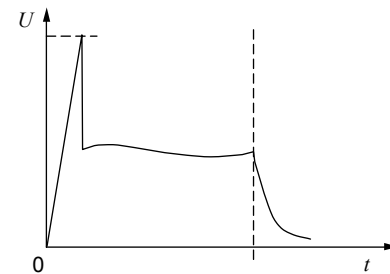
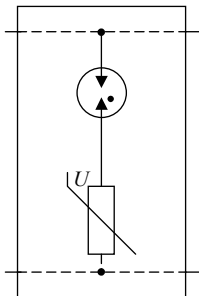
b



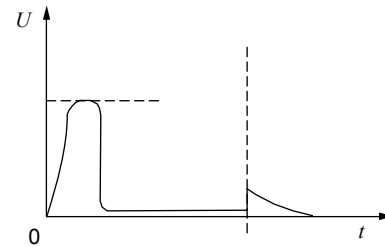
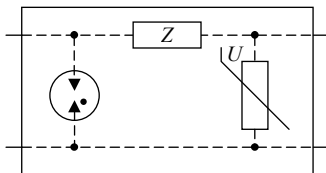
c



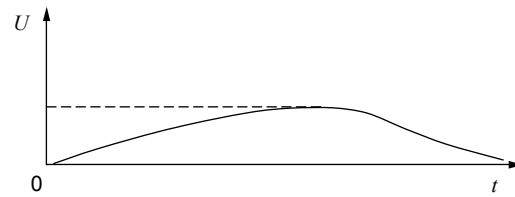
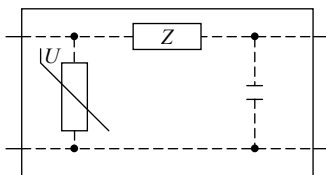
d



e



f



IEC 1909/08

Légende

- a Forme d'onde de courant appliquée
- b Réponse d'un parafoudre du type à limitation de tension
- c Réponse d'un parafoudre du type à coupure de tension
- d Réponse d'un parafoudre du type à un accès combiné
- e Réponse d'un parafoudre du type à deux accès combinés
- f Réponse d'un parafoudre du type à deux accès à limitation de tension avec filtre

NOTE Les niveaux de tension sont seulement représentatifs et n'indiquent aucune valeur véritable. U dans la partie droite de la figure signifie la tension de sortie des parafoudres, tandis que U dans la partie gauche est le symbole de la varistance.

Figure 3 – Réponse en tension de sortie de parafoudres à un accès et à deux accès à une onde de choc combinée

3.1.28**parafoudre de type limitation de tension**

parafoudre présentant une impédance élevée en l'absence de choc, mais qui diminue de manière continue avec un courant et une tension de choc croissants

NOTE 1 Parmi les composants couramment utilisés comme dispositifs non linéaires, on peut citer par exemple: les varistances et les diodes écrêteuses. Ces parafoudres sont parfois dits «de type à blocage».

NOTE 2 Adapté de 3.5 de la CEI 61643-1 par l'ajout de la Note 3 suivante.

NOTE 3 Un dispositif à limitation de tension présente une caractéristique continue de U en fonction de I . La Figure 3b montre la réponse d'un parafoudre de type limitation de tension à un choc appliqué par un générateur combiné.

3.1.29**parafoudre de type combiné**

parafoudre comprenant des composants de type coupure en tension et de type limitation de tension et pouvant couper en tension, limiter en tension ou effectuer les deux à la fois, et dont le comportement dépend des caractéristiques de la tension appliquée

NOTE 1 Adapté de 3.6 de la CEI 61643-1 par l'ajout de la Note 2 suivante.

NOTE 2 Les Figures 3d et 3e montrent la réponse de divers parafoudres de type combiné à une onde de choc combinée.

3.1.30**modes de protection**

les composants de protection du parafoudre peuvent être connectés entre phases, entre phase et terre, ou entre phase et neutre, ou entre neutre et terre et toute autre combinaison. Ces chemins sont désignés sous le nom de modes de protection

[définition 3.7 de la CEI 61643-1]

3.1.31**courant de suite**

(I_f)

courant fourni par le réseau d'énergie électrique et s'écoulant dans le parafoudre après passage du courant de décharge, et qui est très différent du courant de fonctionnement permanent (I_C)

[définition 3.13 de la CEI 61643-1]

3.1.32

courant maximal de décharge pour essai de classe II

(I_{\max})

valeur crête d'un courant de forme d'onde 8/20 s'écoulant dans le parafoudre et d'amplitude conforme à la séquence d'essai de fonctionnement pour la classe II. I_{\max} est supérieur à I_n

[définition 3.10 de la CEI 61643-1]

3.1.33

dégradation

variation des paramètres de fonctionnement originels due à l'exposition du parafoudre aux chocs, au fonctionnement ou à un environnement défavorable

NOTE 1 Adapté de 3.27 de la CEI 61643-1 par l'ajout de la Note 2 suivante.

NOTE 2 La dégradation est une mesure de la capacité d'un parafoudre à supporter les conditions pour lesquelles il a été conçu pendant sa durée de vie. Deux essais de type sont effectués pour vérifier son niveau de dégradation. Le premier est l'essai de fonctionnement en service et le second est l'essai de vieillissement. Cependant, ces deux essais peuvent être combinés.

L'essai de fonctionnement en service est effectué avec un nombre spécifique de formes d'ondes définies de courant appliquées sur le parafoudre. Les modifications autorisées des caractéristiques des parafoudres sont données dans la CEI 61643-1.

L'essai de vieillissement est effectué à une température spécifique à une tension d'amplitude et de durée spécifiées appliquée au parafoudre. Les modifications autorisées des caractéristiques des parafoudres sont données dans la présente norme (cet essai est à l'étude).

Elles peuvent être utilisées pour déterminer la durée de vie prospective du parafoudre installé, pour lequel il convient qu'il prenne aussi en compte les éléments suivants:

- la politique de remplacement;
- l'emplacement et l'accessibilité;
- le taux de défaillance acceptable;
- les modes de fonctionnement.

3.1.34

dispositif de protection à courant différentiel-résiduel

DDR

dispositif de sectionnement mécanique ou association de dispositifs destinée à entraîner l'ouverture des contacts lorsque le courant différentiel-résiduel ou de déséquilibre atteint une valeur donnée dans des conditions spécifiées

[définition 3.37 de la CEI 61643-1]

3.1.35

tension nominale du système

tension par laquelle un système ou un matériel est dénommé et à laquelle certaines caractéristiques de fonctionnement sont rattachées (par exemple, 230/400 V)

NOTE 1 Dans des conditions normales de système, il se peut que la tension aux bornes d'alimentation diffère de la tension nominale déterminée par les tolérances du système d'alimentation électrique. Dans cette norme, une tolérance de $\pm 10\%$ est utilisée.

NOTE 2 La tension nominale du réseau entre phase et terre est appelée U_n (voir la CEI 60038).

NOTE 3 La tension phase-neutre d'un réseau est appelée U_0 .

NOTE 4 La tension entre phases d'un réseau est appelée U .

3.1.36**Classification des essais de chocs****3.1.36.1****essai de classe I**

essai effectué sous le courant nominal de décharge (I_n) défini en 3.1.9, sous une tension de choc 1,2/50 définie en 3.1.13, et sous le courant de choc maximal (I_{imp}) pour l'essai de classe I défini en 3.1.10

3.1.36.2**essai de classe II**

essai effectué sous le courant nominal de décharge (I_n) défini en 3.1.9, sous une tension de choc 1,2/50 définie en 3.1.13, et sous le courant maximal de décharge (I_{max}) pour l'essai de classe II défini en 3.1.32

3.1.36.3**essai de classe III**

essai effectué avec l'onde combinée (1,2/50, 8/20) définie en 3.11

NOTE Adapté de 3.35 de la CEI 61643-1.

3.1.37**courant de charge assigné**

(I_L)

courant assigné maximal efficace ou continu permanent pouvant alimenter une charge connectée à la sortie protégée d'un parafoudre

NOTE 1 Adapté de 3.14 de la CEI 61643-1 par l'ajout de la Note 2 suivante.

NOTE 2 Ceci ne s'applique qu'aux parafoudres présentant des bornes d'entrée et de sortie séparées.

3.1.38**protection contre les surintensités**

dispositif de protection contre les surintensités qui pourrait faire partie de l'installation électrique (par exemple disjoncteur ou fusible), situé à l'extérieur en amont du parafoudre

[définition 3.36 de la CEI 61643-1]

3.1.39**tension maximale de régime permanent de l'alimentation à l'emplacement du parafoudre**

(U_{cs})

tension maximale efficace ou en courant continu sous laquelle le parafoudre peut être alimenté de façon permanente au point d'application du parafoudre

NOTE 1 Ceci prend seulement en compte la régulation en tension et/ou une chute ou une augmentation de la tension. Elle est aussi nommée tension maximale réelle du réseau (voir Figure 6) et est directement liée à U_0 .

NOTE 2 Cette tension ne prend pas en compte les harmoniques, les défauts, les surtensions temporaires ou les conditions transitoires.

3.1.40**tension d'amorçage d'un parafoudre à coupure de tension**

valeur de la tension maximale avant la décharge disruptive entre les électrodes de l'éclateur d'un parafoudre

NOTE 1 Adapté de 3.38 de la CEI 61643-1 par l'ajout de la Note 2 suivante.

NOTE 2 Un parafoudre à coupure de tension peut être basé sur d'autres composants que des éclateurs (par exemple des composants à base de silicium).

3.1.41**système de protection contre la foudre****LPS**

système complet utilisé pour protéger une structure et son contenu contre les effets de la foudre

3.1.42**parafoudre multifonction**

parafoudre assurant la protection pour deux ou plusieurs fonctions telles que l'alimentation, la télécommunication et la signalisation dans une enveloppe unique dans laquelle une liaison de référence est fournie entre les fonctions au cours de conditions de surtension

3.1.43**courant résiduel****(I_{PE})**

courant s'écoulant dans le conducteur de protection lorsque le parafoudre est alimenté sous la tension maximale de régime permanent (U_c) et connecté conformément aux instructions du fabricant

[définition 3.42 de la CEI 61643-1]

3.1.44**courant de court-circuit présumé d'un circuit de puissance****(I_p)**

courant qui s'écoulerait en un emplacement donné d'un circuit s'il était court-circuité en cet emplacement par une liaison d'impédance négligeable

[définition 3.40 de la CEI 61643-1]

3.1.45**valeur assignée d'interruption du courant de suite****(I_{fi})**

courant de court-circuit présumé qu'un parafoudre est susceptible d'interrompre de lui-même

[définition 3.41 de la CEI 61643-1]

3.1.46**énergie spécifique pour essai de classe I****(W/R)**

énergie dissipée par une résistance de 1 Ω avec le courant de décharge de choc I_{imp}

3.1.47**tension assignée de tenue aux chocs****(U_w)**

tension de tenue aux chocs fixée par le fabricant aux matériels ou à une partie d'entre eux, caractérisant la capacité de tenue spécifiée de son isolation contre des surtensions

NOTE Pour les besoins de la présente norme, seules les tensions de tenue entre les conducteurs actifs et la terre sont prises en compte.

3.2 Liste des abréviations et des acronymes utilisés dans la présente norme

Liste des abréviations	
E_{MAX}	Energie maximale admissible
I_c	Courant de fonctionnement permanent
I_f	Courant de suite
I_{fi}	Valeur de coupure assignée du courant de suite
I_{imp}	Courant de choc pour les essais de classe I
I_L	Courant de charge assigné

I_{\max}	Courant maximal de décharge pour les essais de classe II
I_n	Courant nominal de décharge
I_p	Courant de court-circuit présumé d'un circuit de puissance
$I_{\text{crête}}$	Valeur crête du courant de choc
I_{PE}	Courant résiduel
I_{sc}	Courant de court-circuit du générateur combiné (CWG, <i>combination wave generator</i>)
N_g	Densité de foudroiemment
N_k	Niveau kéraunique
U_c	Tension maximale de régime permanent
U_{cs}	Tension maximale de régime permanent du réseau d'alimentation
U_m	Tension de limitation mesurée
U_n	Tension nominale du réseau phase-terre
U_0	Tension phase-neutre du réseau
U_{oc}	Tension en circuit ouvert pour les essais de classe III
U_p	Niveau de protection en tension
U_{ref}	Tension de référence d'une varistance
U_{res}	Tension résiduelle
U_T	Surtension temporaire
U_{TOV}	Surtension temporaire du réseau d'alimentation
$U_{\text{TOV(HT)}}$	Surtension temporaire du réseau d'une alimentation haute tension
$U_{\text{TOV(BT)}}$	Surtension temporaire du réseau d'une alimentation basse tension
U_W	Tenue en tension
ΔU	Chute de tension (en %)
Z_f	Impédance fictive

Liste des acronymes	
ABD	Diode à avalanche (<i>Avalanche breakdown diode</i>)
dB	Décibel
CWG	Générateur combiné
CEM	Compatibilité électromagnétique
GDT	Tube à décharge (<i>gas discharge tube</i>)
HT	Haute tension
IP	Degrés de protection procurés par l'enveloppe
L	Inductance
LPS	Système de protection contre la foudre (<i>lightning protection system</i>)
LPZ	Zone de protection contre la foudre (<i>lightning protection zone</i>)
LTE	Energie de non-fonctionnement (<i>let-through energy</i>)
BT	Basse tension
MEB	Liaison équipotentielle principale (<i>main equipotential bonding</i>)
MOV	Varistance à oxyde métallique (<i>metal oxide varistor</i>)
HTA	Haute tension A (moyenne tension, <50 kV)
MT	Moyenne tension
PE	Terre de protection (<i>Protective earth</i>)
Q	Charge (du courant de choc)
DDR	Dispositif de protection à courant différentiel-résiduel
TOV	Surtension temporaire (<i>Temporary overvoltage</i>)
SPD	Parafoudre (<i>surge protective device</i>)
W/R	Energie spécifique
ZnO	Oxyde de zinc

4 Systèmes et matériels à protéger

Lors de l'évaluation d'une installation par rapport à l'utilisation des parafoudres, il est nécessaire de prendre en compte deux facteurs:

- les caractéristiques du réseau de distribution basse tension dans lequel ils seront utilisés, y compris les types et les niveaux attendus de surtension et de courant;
- les caractéristiques des matériels à protéger.

4.1 Réseaux de distribution basse tension

Les réseaux de distribution basse tension sont à la base caractérisés par le type de mise à la terre (TNC, TNS, TNC-S, TT, IT) et la tension nominale (voir 3.35). Des formes variées de surtensions et de courants peuvent se produire. Dans la présente norme, les surtensions sont classées en trois groupes:

- surtensions de foudre;
- surtensions de coupure;
- surtensions temporaires.

4.1.1 Surtensions et courants de foudre

Dans la plupart des cas, les surtensions de foudre sont le facteur principal pour le choix d'une classe d'essai de parafoudre ainsi que des valeurs de tension ou de courant associées (I_{imp} , I_{max} ou U_{oc} , selon la CEI 61643-1).

L'évaluation de l'amplitude de la forme d'onde et du courant (ou de la tension) des surtensions de foudre est nécessaire pour le choix correct d'un parafoudre. Il est important de déterminer si le niveau de protection en tension du parafoudre sera approprié au matériel à protéger dans de telles circonstances.

Pour les bâtiments avec des systèmes de protection contre la foudre, des informations complémentaires sur l'amplitude du courant et la forme d'onde peuvent être trouvées dans la CEI 62305-1.

NOTE Par exemple, les zones sujettes à de fréquents foudroiements peuvent nécessiter un parafoudre capable de supporter des essais de classe I ou de classe II.

En général (par exemple, en cas de coup de foudre direct sur les lignes ou en cas de surtensions induites sur les lignes), des contraintes plus élevées surviennent dans les installations électriques extérieures à la structure. Dans la structure, les contraintes décroissent depuis l'entrée jusqu'aux circuits internes de l'installation. Cette décroissance est due aux changements d'impédances et de configurations du circuit.

Le besoin de protection contre les surtensions de foudre dépend de

- la densité locale de foudroiement N_g (moyenne de la densité annuelle de foudroiement, en nombre d'impacts, par km^2 et par an, concernant la région où la structure est située). Les systèmes modernes de détection de chocs de foudre peuvent donner des informations sur N_g avec une précision raisonnable;
- l'exposition de l'installation électrique, incluant les autres alimentations. Les réseaux souterrains sont généralement considérés comme étant moins exposés que les réseaux aériens.

Même si l'alimentation est fournie par des câbles souterrains, l'utilisation d'un parafoudre peut être recommandée pour assurer la protection de l'installation. Pour déterminer si la protection contre les chocs de foudre est nécessaire, il convient de prendre en compte les points suivants:

- l'installation a un système de protection contre la foudre à proximité;
- la longueur de câble est insuffisante pour fournir une séparation appropriée (atténuation) entre l'installation et le réseau aérien;
- des surtensions élevées d'origine atmosphérique peuvent être attendues sur la ligne aérienne fournissant la MT (moyenne tension) provenant du transformateur connecté à l'installation;
- le câble souterrain peut être affecté par un coup de foudre direct dans un sol à haute résistivité;
- la taille ou la hauteur du bâtiment alimenté par le câble est suffisamment grande pour augmenter d'une façon significative le risque d'impact direct de la foudre. Le risque de coups de foudre directs sur d'autres arrivées (sorties) d'alimentation (lignes téléphoniques, antennes, etc.) qui peuvent affecter les réseaux de distribution et le matériel;
- d'autres arrivées aériennes existent.

Lorsque plusieurs bâtiments sont alimentés par un seul réseau d'alimentation, les bâtiments qui n'ont pas de parafoudres peuvent subir des contraintes élevées dans leurs réseaux électriques.

Pour les installations de parafoudres dans une structure équipée d'un système externe de protection contre la foudre, il est (dans le cas d'un coup de foudre direct sur une structure) en général suffisant de faire des calculs en utilisant la résistance en courant continu de la prise de terre (par exemple, prise de terre du bâtiment, des conduites, prise de terre du réseau de distribution, etc.), pour déterminer la distribution de courant dans les parafoudres.

L'évaluation de l'amplitude de la forme d'onde et du courant, en fonction du niveau de protection contre la foudre et en raison des différentes sources de dommages (c'est-à-dire directement sur la structure ou à proximité de celle-ci, directement sur la ligne de puissance ou à proximité de celle-ci) est indiquée à l'Annexe E de la CEI 62305-1.

Les Annexes C et I donnent de plus amples informations sur les contraintes dues à la foudre.

4.1.2 Surtensions de coupure

Ces contraintes, en termes de courant et de tension crêtes, sont généralement plus faibles que les contraintes dues à la foudre mais peuvent durer plus longtemps. Toutefois, dans certains cas, particulièrement en profondeur à l'intérieur d'une structure ou près des sources de surtensions de coupure, la contrainte de coupure peut être plus élevée que les contraintes provoquées par la foudre. Il est nécessaire de connaître l'énergie liée à ces surtensions de coupure, afin de permettre le choix des parafoudres appropriés. La durée dans le temps des surtensions de coupure, incluant des transitoires dus à des défauts et des fonctionnements de fusible, peut être beaucoup plus longue que la durée du coup de foudre.

En général, le choix des caractéristiques assignées de surtension d'un parafoudre est fondé sur les contraintes dues à la foudre.

Les Annexes C et I donnent de plus amples informations sur les contraintes de coupure.

4.1.3 Surtensions temporaires U_{TOV}

4.1.3.1 Généralités

Chaque parafoudre peut être exposé pendant sa durée de vie à une surtension temporaire U_{TOV} qui dépasse la tension maximale de régime permanent du réseau.

Une surtension temporaire a deux dimensions, l'amplitude et le temps. La durée de la surtension dépend principalement de la mise à la terre du réseau d'alimentation électrique (ceci inclut à la fois la mise à la terre du réseau d'alimentation haute tension et la mise à la

terre du réseau basse tension auquel le parafoudre est raccordé). En déterminant les surtensions temporaires, il convient de prendre en considération la tension maximale de régime permanent du système d'alimentation (U_{CS}).

Les Annexes E et I fournissent des informations supplémentaires sur les surtensions temporaires.

4.1.3.2 Valeurs normalisées

La CEI 60364-4-44 donne les valeurs maximales de U_{TOV} susceptibles d'apparaître dans les réseaux à basse tension (pour un calcul plus précis de ces valeurs, se référer à l'Annexe E).

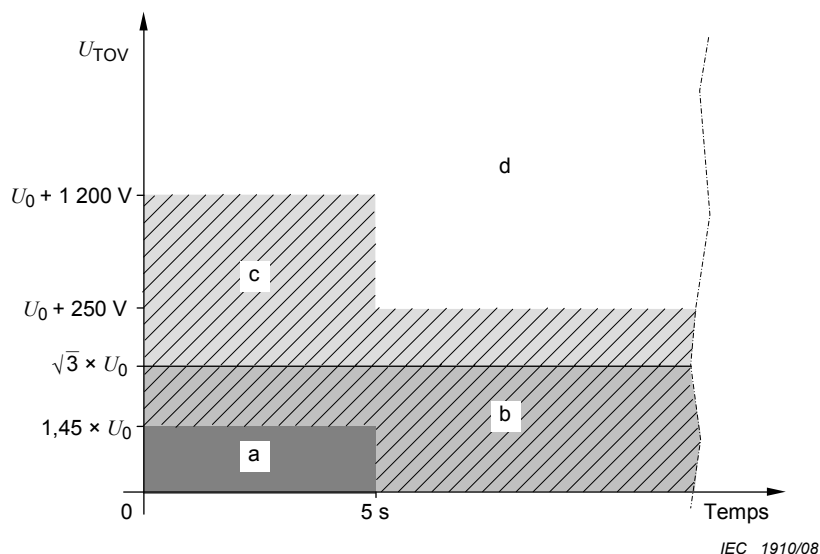
Des valeurs inférieures sont possibles, dépendant de plusieurs facteurs tels que la situation du parafoudre, le type de réseau, etc.

Les valeurs maximales (voir aussi Figure 4) données au Tableau 1 concernent l'installation de l'utilisateur pour l'emplacement du transformateur (voir Tableau 1, Note 2).

Tableau 1 – Valeurs maximales des surtensions temporaires figurant dans la CEI 60634-4-44

Situation de U_{TOV}	Schéma	Valeurs maximales pour $U_{TOV(HT)}$
Entre phase et terre	TT, IT	$U_0 + 250$ V pour une durée >5 s
		$U_0 + 1\,200$ V pour une durée inférieure ou égale à 5 s
Entre neutre et terre	TT, IT	250 V pour une durée >5 s
		1 200 V pour une durée inférieure ou égale à 5 s
Les valeurs ci-dessus sont des valeurs extrêmes en relation avec les défauts du réseau haute tension et peuvent être calculées en fonction du type de réseau, conformément à l'Annexe E.		
Situation de U_{TOV}	Schéma	Valeurs maximales pour $U_{TOV(BT)}$
Entre phase et neutre	TT et TN	$\sqrt{3} \times U_0$
La valeur ci-dessus est en rapport avec la rupture du conducteur de neutre dans le réseau basse tension.		
Entre phase et terre	Schéma IT (schéma TT: voir Note 1)	$\sqrt{3} \times U_0$
La valeur ci-dessus est en rapport avec une mise à la terre accidentelle du conducteur de phase du réseau basse tension.		
Entre phase et neutre	TT, IT et TN	$1,45 \times U_0$ pour une durée inférieure ou égale à 5 s
La valeur ci-dessus est en rapport avec le court-circuit entre le conducteur de phase et le conducteur de neutre.		
NOTE 1 Il a été démontré que des surtensions temporaires si élevées peuvent aussi se produire dans les schémas TT pendant des durées inférieures ou égales à 5 s. Voir Annexe E pour plus de détails. Ceci ne figure pas dans la CEI 60364-4-44.		
NOTE 2 Les valeurs maximales de surtensions temporaires à l'emplacement du transformateur peuvent différer de celles du tableau ci-dessus (en plus ou en moins). Voir Annexe E pour plus de détails.		
NOTE 3 La rupture du neutre n'est pas prise en compte pour le choix des parafoudres.		

Se référer à l'Annexe E pour de plus amples informations.



Légende

- a Zone de $U_{TOV(BT)}$ entre phase et neutre en schémas TT, TN et IT pour un défaut dans l'installation BT (court-circuit)
- b Zone de $U_{TOV(BT)}$ entre phase et terre en schéma IT (TT, voir Tableau 1, Note 1) pour un défaut dans l'installation BT (mise à la terre accidentelle d'un conducteur de phase) et zone de $U_{TOV(BT)}$ entre phase et neutre en schémas TT et TN pour un défaut dans l'installation BT (rupture du neutre)
- c Valeur maximale de $U_{TOV(HT)}$ à l'installation de l'utilisateur entre phase et terre en schémas TT et IT dans le cas d'un défaut se produisant sur le réseau HT
- d Zone indéfinie

Figure 4 – Valeurs maximales des U_{TOV} conformément à la CEI 60634-4-44

4.2 Caractéristiques des matériels à protéger

Les caractéristiques des matériels à protéger dans des conditions transitoires sont déterminées par deux méthodes d'essai, à savoir:

- La tenue aux chocs des matériels soumis aux essais, conformément à la CEI 60664-1. Il ne s'agit que d'un essai de coordination de l'isolement. Au cours de l'essai, l'appareil est hors tension.
- L'immunité aux chocs des matériels soumis aux essais, conformément à la CEI 61000-4-5. Cet essai évalue les capacités d'immunité opérationnelles des matériels. L'essai est effectué essentiellement avec un générateur combiné (1,2/50, 8/20) à différents niveaux. Il détermine en quel endroit un dysfonctionnement, une erreur ou une défaillance peut survenir pendant la mise sous tension.

Une comparaison des niveaux de tenue aux chocs et d'immunité aux chocs par rapport à l'environnement transitoire dans lequel le matériel doit être utilisé, détermine la nécessité potentielle de parafoudres. Pour de plus amples informations, se reporter à l'Annexe M.

NOTE Il convient que les parafoudres choisis fournissent un niveau de protection U_p inférieur à la capacité de tenue aux chocs du matériel ou, dans certains cas où le fonctionnement continu du matériel est critique, inférieur à l'immunité aux chocs du matériel. Il convient de choisir U_p conformément à 6.2.2 et 6.2.5. De plus, en raison d'interactions éventuelles entre le matériel en essai et le générateur, l'immunité du matériel dépend non seulement de U_p , mais aussi de la forme d'onde de la surtension appliquée.

5 Parafoudres

5.1 Fonctions de base des parafoudres

Les parafoudres traités dans la présente norme sont ceux installés à l'extérieur des matériels à protéger.

Leur fonction peut être décrite comme suit.

- Dans un réseau en l'absence de coups de foudre: le parafoudre ne doit pas avoir une influence significative sur les caractéristiques de fonctionnement du réseau auquel il est appliqué.
- Dans les réseaux pendant les chocs de foudre: le parafoudre répond à des chocs en diminuant sa propre impédance et en dérivant ainsi le courant de choc afin de limiter la tension à son niveau de protection. Les chocs de foudre peuvent initier un courant de suite traversant le parafoudre.
- Dans un réseau après la survenue des coups de foudre: le parafoudre retrouve une impédance élevée après les chocs et coupe tout courant de suite possible.

Les caractéristiques des parafoudres sont spécifiées pour réaliser les fonctions ci-dessus en conditions normales de service. Les conditions normales de service sont spécifiées par la fréquence de la tension du réseau, le courant de charge, l'altitude (c'est-à-dire la pression atmosphérique), l'humidité et la température de l'air ambiant.

5.2 Exigences supplémentaires

En fonction de l'application du parafoudre, des exigences complémentaires peuvent être nécessaires, telles que:

- la protection des parafoudres contre les contacts directs (elle doit être conforme à la CEI 60364-4-41);
- la sécurité en cas de défaillances du parafoudre.

Un parafoudre peut être défaillant lorsqu'il est soumis à des surtensions plus élevées que sa résistance maximale en énergie et en courant de décharge. Pour les besoins de la présente norme, les modes de défaillance d'un parafoudre sont divisés en mode circuit ouvert et en mode court-circuit.

En mode circuit ouvert, le réseau à protéger n'est plus protégé. Dans ce cas, la défaillance d'un parafoudre est habituellement difficile à détecter puisqu'il n'a presque aucune influence sur le réseau. Afin d'assurer le remplacement du parafoudre défaillant par un autre avant le prochain choc, une indication de défaut peut être prescrite.

En mode court-circuit, le parafoudre défaillant a une influence très importante sur le réseau. Le courant de court-circuit s'écoule à travers le parafoudre défaillant depuis la source. L'énergie dissipée pendant la conduction du courant de court-circuit peut être excessive et causer un risque d'incendie. L'essai de tenue au court-circuit de la CEI 61643-1 couvre ce problème. Au cas où le réseau à protéger n'a pas de dispositif approprié pour déconnecter le parafoudre défaillant de son circuit, un dispositif approprié de déconnexion peut être exigé pour être utilisé en liaison avec un parafoudre ayant un mode de défaillance en court-circuit.

5.3 Classification des parafoudres

5.3.1 Parafoudres: classification

Les parafoudres sont classés selon la CEI 61643-1, de la façon suivante.

Nombre d'accès: un ou deux

Type de conception:	coupure de tension, limitation de tension ou combiné
Essais de parafoudres de classes I, II et/ou III	
Emplacement:	intérieur ou extérieur
Accessibilité:	accessible, non accessible (hors de portée)
Méthode de montage:	permanente ou mobile
Déconnecteur:	emplacement (externe, interne, externe et interne, aucun) et fonctions de protection (thermique, courant de fuite, surintensité)
Protection contre les surintensités:	spécifiée ou non
Degré de protection procuré par l'enveloppe du parafoudre (code IP)	
Domaine de température:	normal ou étendu

NOTE Par définition, extérieur signifie à l'extérieur des locaux fermés. De ce fait, de tels parafoudres sont soumis à toutes les conditions externes. Intérieur signifie à l'intérieur des locaux fermés. De ce fait, de tels parafoudres sont soumis à des conditions atmosphériques internes. Hors de portée signifie qu'il y a non-accessibilité aux parties actives sans l'aide d'outils ou d'autres matériels.

Certains des choix ci-dessus sont liés à la technologie utilisée et sont définis par le fabricant.

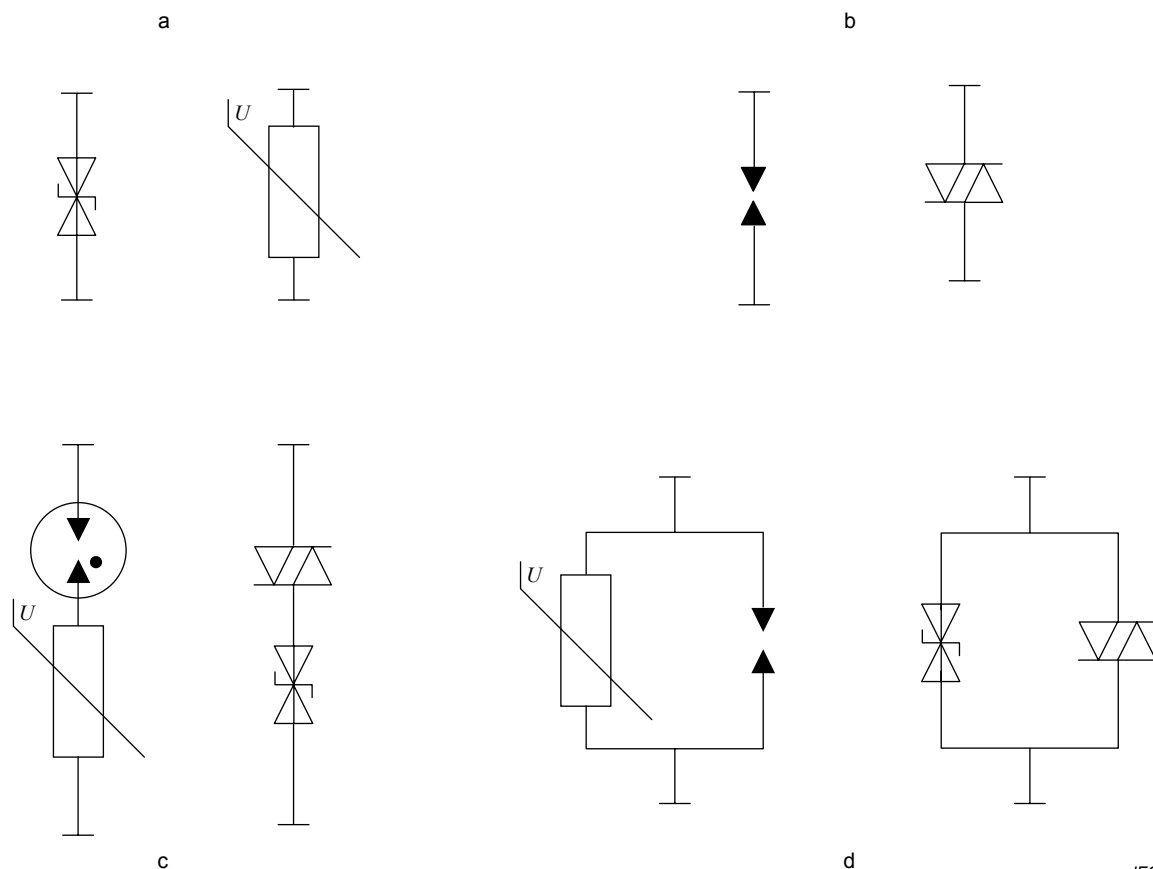
5.3.2 Conception et topologies courantes

Les principaux composants de protection des parafoudres appartiennent à deux catégories:

- les composants de limitation de tension: varistances, diodes à avalanche ou diodes écrêteuses, etc.;
- les composants de coupure de tension: éclateurs à air, tubes à décharge, thyristors (redresseurs contrôlés au silicium), triacs, etc.

En se basant sur ces composants, les conceptions de base des parafoudres sont données ci-dessous (voir Figure 5):

- simple composant à limitation de tension (Figure 5a): parafoudre de type limitation de tension;
- simple composant à coupure de tension (Figure 5b): parafoudre de type coupure de tension;
- combinaison de composants de limitation de tension et de coupure de tension (Figures 5c et d): parafoudre de type combiné.



IEC 1911/08

Légende

- a Composants à limitation de tension
- b Composants à coupure de tension
- c Composants à limitation de tension en série avec des composants à coupure de tension
- d Composants à limitation de tension en parallèle avec des composants à coupure de tension

Figure 5 – Exemples de composants et de combinaisons de composants

Tous les parafoudres ne sont pas définis par un simple agencement de composants de base. Ils peuvent aussi incorporer des indicateurs, des déconnecteurs, des fusibles, des inductances, des condensateurs et d'autres composants.

De plus, un parafoudre peut être configuré en: parafoudre à un accès (voir 3.25) ou à deux accès (voir 3.26).

5.4 Caractéristiques des parafoudres

5.4.1 Conditions de service décrites dans la CEI 61643-1

Conditions normales d'utilisation:

- La fréquence du réseau électrique est située entre 48 Hz et 62 Hz en courant alternatif ou en courant continu.
- L'altitude ne doit pas être supérieure à 2 000 m.
- Température d'utilisation: domaine normal de -5 °C à $+40\text{ °C}$, domaine étendu de -40 °C à $+70\text{ °C}$.

- L'humidité relative dans des conditions de température internes doit être située entre 30 % et 90 %.

NOTE 1 L'utilisateur détermine l'emplacement où le parafoudre est à appliquer (extérieur, intérieur, etc.) et il convient qu'il décide si les conditions de température ambiante sont du domaine normal ou étendu.

NOTE 2 La CEI 61643-1 donne aussi des indications sur la tension maximale de régime permanent du parafoudre. Voir 6.2.1 de la présente norme.

NOTE 3 En général, les domaines de températures pour le stockage d'un produit sont supérieurs à ceux pour le fonctionnement.

Conditions anormales d'utilisation:

Dans le cas de parafoudres exposés à des conditions anormales d'utilisation, il peut être nécessaire de tenir spécialement compte de la conception ou de l'application du parafoudre et il convient de le signaler au fabricant.

Exposition au soleil: la plupart des parafoudres ne sont pas exposés au rayonnement solaire. En général, le rayonnement solaire n'est pas pris en compte lors des essais de type. Au cas où les parafoudres sont exposés à des rayonnements solaires, il convient que cela soit pris en compte et les essais effectués en conséquence.

NOTE 3 En général, il convient que le degré de protection de l'enveloppe du parafoudre soit supérieur à IP2X. Dans certains cas, d'autres valeurs peuvent être utilisées (par exemple pour le parafoudre installé à l'extérieur).

5.4.2 Liste des paramètres pour le choix des parafoudres

La liste non exhaustive suivante fournit des paramètres nécessaires à l'utilisateur pour sélectionner de manière appropriée le ou les parafoudres.

NOTE Quelques-uns de ces paramètres sont définis pour chaque mode de protection.

- a) U_C : Tension maximale de régime permanent
- b) Caractéristique de surtension temporaire
- c) I_n : Courant de décharge nominal (seulement pour les essais des classes I et II)
- d) I_{max} pour les essais de classe II, I_{imp} pour les essais de classe I et U_{oc} pour les essais de classe III
- e) U_p : Niveau de protection en tension
- f) Modes de défaillance
- g) Tenue au court-circuit
- h) I_{fi} : Valeur de coupure assignée du courant de suite (sauf dans le cas de parafoudres de type limitation de tension)
- i) Courant de charge assigné I_L (pour les parafoudres à deux accès ou à un accès avec bornes d'entrée et de sortie séparées)
- j) Chute de tension (pour les parafoudres à deux accès ou à un accès à bornes d'entrée et de sortie séparées)
- k) I_{PE} : Courant résiduel (facultatif)

La Figure 6 montre la relation entre U_p , U_0 , U_C et U_{cs} .

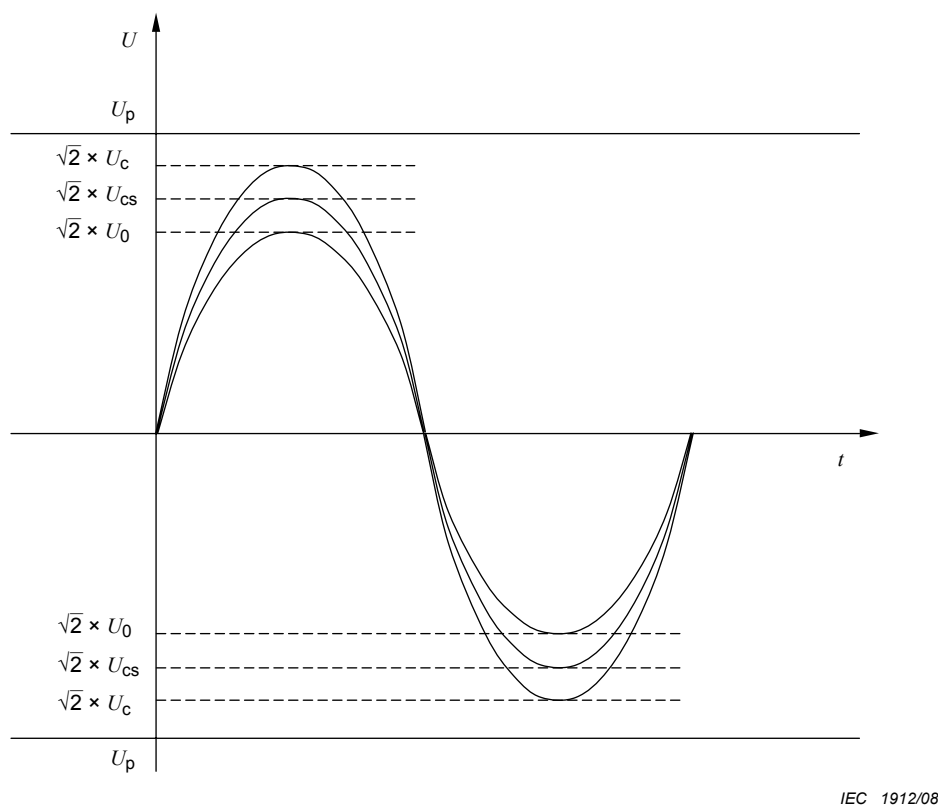


Figure 6 – Relation entre U_p , U_0 , U_c et U_{cs}

5.5 Informations supplémentaires sur les caractéristiques des parafoudres

5.5.1 Informations liées aux tensions du réseau

5.5.1.1 U_c : Tension maximale de régime permanent et I_c : courant de fonctionnement permanent

U_c doit être choisie de façon à minimiser le changement des caractéristiques des parafoudres (vieillessement, emballement thermique, etc.) dans des conditions normales.

I_c est la valeur du courant traversant le parafoudre quand U_c est appliquée. Le courant traversant la borne de terre (PE), est appelé le courant résiduel I_{PE} . Ce courant I_{PE} est utilisé dans le choix d'un parafoudre pour éviter un fonctionnement non nécessaire des dispositifs de protection contre les surintensités ou d'autres dispositifs de protection (par exemple DDR) (voir 5.3.1.212 de la CEI 60364-5-53).

Voir l'Annexe J pour plus d'informations sur la manière dont l'effet du fonctionnement d'un dispositif de protection contre les surintensités ou d'un autre dispositif de protection dépend de la configuration du réseau.

5.5.1.2 Caractéristiques de surtension temporaire

Quelques ensembles de valeurs de surtension à fréquence industrielle (ou en courant continu) en fonction du temps (jusqu'à plusieurs secondes) sont suffisants pour caractériser les caractéristiques de surtension temporaire d'un parafoudre.

Le parafoudre peut soit supporter les essais de surtension temporaire sans modifications inacceptables de ses caractéristiques, soit subir une défaillance de manière acceptable.

Les parafoudres installés conformément à la CEI 60364-5-53 doivent supporter les surtensions temporaires en raison de défauts dans le réseau basse tension (Voir les valeurs de surtension temporaire pour une durée de 5 s dans le Tableau 5). Les parafoudres installés entre le neutre et la terre de protection conformément au schéma de connexion CT2 (voir Figure 11) doivent également supporter les surtensions temporaires en raison de défauts dans le réseau haute tension (Voir les valeurs de surtension temporaire pour une durée de 200 ms dans le Tableau 5).

Les durées pour les surtensions temporaires prises en compte par la CEI 61643-1 sont limitées à deux durées de 200 ms et 5 s et les valeurs de tensions d'essai correspondantes sont appelées U_T .

La caractéristique temporaire doit être donnée par le fabricant, conformément à la CEI 61643-1.

NOTE Le choix d'un parafoudre ayant à la fois une tenue à une surtension temporaire élevée et un niveau de protection à basse tension peut être difficile tout en continuant à maintenir la coordination avec le matériel à protéger.

L'utilisateur peut choisir le parafoudre le plus approprié en comparant les caractéristiques de surtensions temporaires du parafoudre et les surtensions temporaires (U_{TOV}) se produisant sur le réseau. Les valeurs normalisées utilisées pour les essais des parafoudres sont données au Tableau 5.

5.5.2 Informations concernant les courants de choc

Les facteurs discutés ci-après concernent les caractéristiques de tension, de courant et de temps de la forme d'onde de choc. Différents niveaux et formes d'ondes de choc sont utilisés pour l'essai en fonction des contraintes auxquelles le parafoudre est susceptible d'être exposé.

Un guide pour le choix des classes d'essais appropriées pour un parafoudre est donné dans l'introduction de la CEI 61643-1, qui stipule ce qui suit.

- L'essai de classe I est prévu pour simuler des courants de chocs de foudre partiellement conduits. Les parafoudres soumis aux méthodes d'essai de classe I sont généralement recommandés pour les emplacements dans des endroits d'exposition élevée, par exemple entrées de ligne dans des bâtiments protégés par des systèmes de protection contre la foudre.
- Les parafoudres soumis aux essais selon les méthodes d'essai de classe II ou de classe III sont soumis à des chocs de durée plus faible. Ces parafoudres sont généralement recommandés pour des emplacements moins exposés aux chocs directs.

Lors du choix d'un parafoudre, il est nécessaire de prendre en compte à la fois la classe d'essai et l'amplitude du choc pour lequel il est prévu.

NOTE 1 L'essai de classe II applique un courant requis aux parafoudres. L'essai de classe III applique une tension aux parafoudres et le courant résultant dépend des caractéristiques du parafoudre.

NOTE 2 La classe d'essai à laquelle le parafoudre a été soumis est indiquée sur la plaque signalétique, à l'aide du format représenté par un T dans un carré: "T1" pour les essais de classe I, "T2" pour les essais de classe II, et "T3" pour les essais de classe III, ou en écrivant "classe d'essai" en toutes lettres.

5.5.2.1 I_N : Courant nominal de décharge (8/20) (pour les parafoudres selon les essais de classe I et II)

Il s'agit du courant utilisé comme un des paramètres d'essai pour déterminer la tension de limitation mesurée des parafoudres soumis aux essais selon les essais de classe I et de classe II. Ce courant est aussi utilisé lors du préconditionnement (appliqué 15 fois) pour les essais de fonctionnement en service pour la classe I et la classe II.

I_n est inférieur à I_{max} et correspond à un courant qui se produit relativement fréquemment dans l'installation.

Les valeurs préférentielles pour I_n sont: (0,05; 0,1; 0,25; 0,5; 1,0; 1,5; 2,0; 2,5; 3,0; 5,0; 10; 15 et 20) kA.

5.5.2.2 I_{imp} et I_{max} (pour les parafoudres selon les essais de classes I et II)

I_{imp} et I_{max} sont les paramètres d'essai utilisés respectivement dans les essais de fonctionnement pour les essais de classes I et II. Leur utilisation est liée aux valeurs maximales des courants de décharge qui peuvent se produire seulement très rarement à l'emplacement du parafoudre dans le réseau. I_{max} est associé aux essais de classe II et I_{imp} est associé aux essais de classe I.

Les valeurs préférentielles pour I_{imp} ($I_{crête}$, Q , W/R), selon la CEI 61643-1, sont données au Tableau 2.

Tableau 2 – Valeurs préférentielles de I_{imp}

$I_{crête}$ kA	Q C	W/R kJ/Ω
20	10	100
12,5	6,25	39
10	5	25
5	2,5	6,25
2	1	1
1	0,5	0,25

NOTE 1 En général, I_{imp} est associé à des formes d'ondes plus grandes que I_n .

NOTE 2 La forme d'onde 10/350 est un exemple de forme d'onde qui satisfait aux exigences du Tableau 2.

5.5.3 Informations relatives au niveau de protection en tension fourni par les parafoudres

5.5.3.1 Tension de limitation mesurée

a) Essais de classes I et II

La détermination de la tension de limitation mesurée est effectuée par deux essais:

- mesure de la tension résiduelle à des valeurs diverses de courant en utilisant une onde 8/20;
- mesure de la tension d'amorçage en utilisant une onde de 1,2/50.

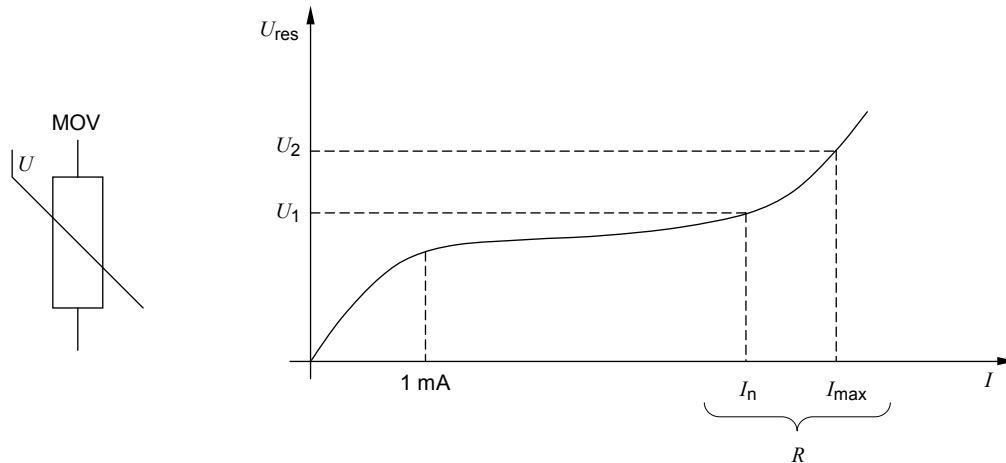
La tension de limitation mesurée est la valeur de tension la plus élevée de

- soit la tension résiduelle, pour la plage de courants de $0,1 \times I_n$ jusqu'à $I_{crête}$ ou I_n , en prenant celle des deux valeurs qui est la plus élevée, pour les essais de classe I;
- de $0,1 \times I_n$ jusqu'à $1,0 \times I_n$ pour les essais de classe II;
- soit la tension d'amorçage de front de choc, en utilisant une onde de 1,2/50.

- Parafoudres avec des composants à limitation de tension

La Figure 7 montre une courbe typique U_{res} en fonction de I pour une varistance ZnO. Ceci montre que la tension résiduelle du parafoudre à I_{max} doit aussi être considérée. Si cette tension est plus élevée que le niveau de protection en tension et si elle est particulièrement

plus élevée que la tension de tenue aux chocs du matériel à protéger, il y a alors un risque que le parafoudre résiste à une telle contrainte, mais le matériel ne sera pas protégé. Le niveau de protection en tension et la tenue au courant de choc du parafoudre doivent, de ce fait, être choisis en conséquence.



IEC 1913/08

Légende

U_1 Tension résiduelle à I_n

U_2 Tension résiduelle à I_{max}

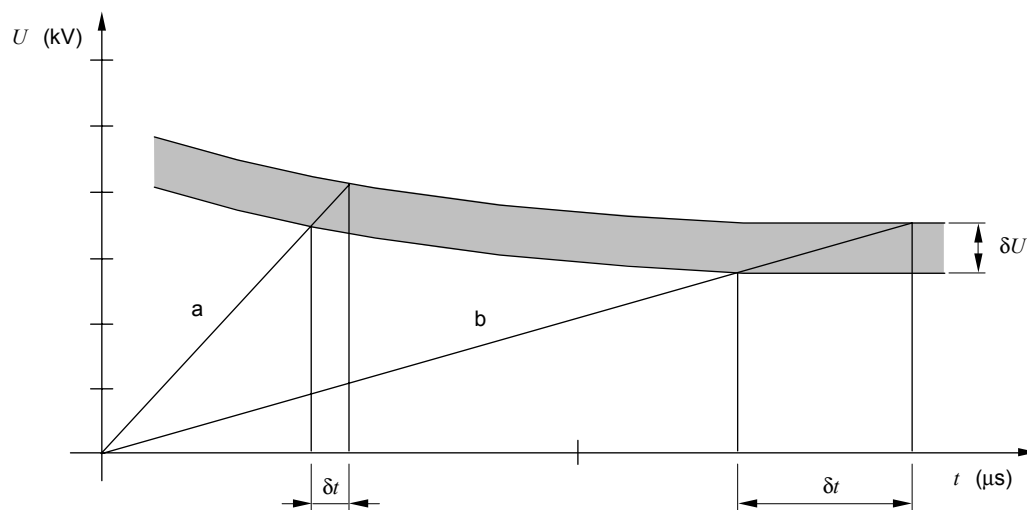
R Plage de plusieurs kA

Figure 7 – Courbe typique de U_{res} en fonction de I pour les varistances ZnO

- Parafoudres avec des composants à coupure de tension

La tension d'amorçage d'un éclateur (tube à décharge, etc.) dépend de la montée (dU/dt) de la surtension transitoire appliquée.

Généralement, une augmentation de la montée de la tension d'amorçage (dU/dt) augmente la surtension transitoire. Comme la tension d'amorçage est une valeur statistique à un dU/dt défini, il y aura une dispersion dans les valeurs mesurées (voir Figure 8).



IEC 1914/08

Légende

- a Taux supérieur de montée – 10 kV/μs
- b Taux inférieur de montée – 1 kV/μs
- δt Dispersion dans le temps de l'amorçage
- δU Dispersion en tension de l'amorçage

Figure 8 – Courbe typique d'un éclateur

b) Essais de classe III

Pour les parafoudres soumis aux essais selon la classe III, la mesure est faite en utilisant un générateur combiné. La valeur maximale enregistrée pendant l'essai est alors utilisée comme mesure de la tension de limitation.

5.5.3.2 Niveau de protection en tension U_p

U_p est déclaré par le fabricant. Par définition, il est supérieur ou égal à la plus haute valeur de la tension de limitation mesurée. Il convient que le choix de cette valeur par le fabricant tienne compte des tolérances de fabrication.

Les niveaux de protection en tension préférentiels sont: (0,08; 0,09; 0,10; 0,12; 0,15; 0,22; 0,33; 0,4; 0,5; 0,6; 0,7; 0,8; 0,9; 1,0; 1,2; 1,5; 1,8; 2,0; 2,5; 3,0; 4,0; 5,0; 6,0; 8,0; et 10) kV.

L'Annexe B donne une relation typique entre la tension nominale du réseau et le niveau de protection en tension du parafoudre pour une varistance ZnO.

5.5.4 Informations relatives aux modes de défaillances des parafoudres

Ces modes sont utilisés pour définir la compatibilité du parafoudre avec les autres matériels, avec ses applications et avec les dispositifs utilisés en liaison avec le parafoudre.

Le mode de défaillance du parafoudre dépend de l'amplitude, du nombre et de la forme d'onde du courant et de la tension de choc, de la capacité de court-circuit du réseau et de la valeur de la tension appliquée au parafoudre à l'instant de la défaillance. La CEI 61643-12 considère qu'il y a deux types de modes de défaillance pour un parafoudre:

- impédance de court-circuit ou faible
- impédance en circuit ouvert ou élevée.

Quelquefois, les parafoudres peuvent avoir un état indéterminé pendant une certaine période. Cet état entraîne une absorption d'énergie et le conduit par la suite (lui-même ou associé au déconnecteur ou à la protection contre les surintensités) en condition de circuit ouvert ou de court-circuit. Dans le cadre de la présente norme, on considère que cet état est temporaire et, en tant que tel, il n'est pas décrit.

Voir l'Annexe J pour plus d'informations sur la manière dont l'effet du fonctionnement d'un dispositif de protection contre les surintensités ou d'un autre dispositif de protection dépend de la configuration du réseau.

Des changements de caractéristiques du parafoudre ne sont pas considérés en tant que mode de défaillance, mais sont décrits en 5.5.7.

5.5.5 Informations relatives à la tenue aux courts-circuits

Le parafoudre seul ou associé à son déconnecteur et/ou son dispositif de protection contre les surintensités est nécessaire pour résister au courant de tenue aux courts-circuits déclaré par le fabricant. Il convient que le parafoudre subisse avec succès l'essai sans combustion, carbonisation ni expulsion de matériaux fondus, ou en créant une ouverture dans l'enveloppe. Il est nécessaire de s'assurer que le parafoudre ne sera pas utilisé à un emplacement où le courant de court-circuit présumé de l'alimentation I_p est supérieur à sa tenue aux courts-circuits. Il est également nécessaire de s'assurer qu'un déconnecteur approprié et/ou une protection contre les surintensités, tels que recommandés par le fabricant, sont présents et fonctionnent.

Pour un parafoudre qui n'est pas du type à limitation de tension, il est également nécessaire de vérifier que sa valeur de coupure assignée du courant de suite I_{fi} est supérieure au courant de court-circuit présumé au point de l'installation I_p .

5.5.6 Informations relatives au courant de charge I_L et à la chute de tension (pour les parafoudres à deux accès ou à un accès avec bornes d'entrée et de sortie séparées)

Pour un parafoudre à deux accès ou à un accès connecté en série avec l'alimentation, il est nécessaire de s'assurer que le courant de charge du matériel ne dépasse pas son courant de charge assigné I_L .

NOTE Il est aussi nécessaire de considérer le type de charge. Par exemple, certaines charges peuvent avoir des courants d'appel pouvant atteindre trois fois la valeur efficace. Ces courants de pointe peuvent produire un échauffement supplémentaire à l'intérieur des éléments en série des parafoudres à deux accès.

Il est également nécessaire de vérifier que l'installation d'un parafoudre à deux accès ou à un accès avec bornes d'entrée et de sortie séparées n'entraîne pas une chute de tension inacceptable du dispositif situé en aval. Ceci est caractérisé par la chute de tension ΔU .

5.5.7 Informations relatives aux variations des caractéristiques des parafoudres

Certains parafoudres peuvent entrer dans un état intermédiaire, lorsqu'ils sont soumis à des contraintes plus élevées que celles définies dans les essais normalisés. Dans ce cas, certaines de leurs caractéristiques peuvent varier par rapport aux valeurs définies, par exemple: U_p , I_n , I_c , etc. En particulier, cela peut se produire pour des parafoudres présentant des parties actives en parallèle, si l'une de ces parties actives peut être déconnectée après un choc. Dans ces conditions, l'utilisateur peut ne pas connaître ces variations de caractéristiques. Il convient d'éviter tout état intermédiaire de ce type lors de la conception du parafoudre, sauf s'il existe des indications claires de cet état quand cela se produit.

6 Mise en œuvre des parafoudres dans les réseaux de distribution basse tension

6.1 Installation et son effet sur la protection assurée par les parafoudres

Lorsqu'une analyse de risque est effectuée (voir Article 7), les contraintes dans le réseau (Article 4) et les caractéristiques du parafoudre (Article 5) identifiées peuvent être spécifiées.

En installant un parafoudre dans un réseau de distribution, les points de la Figure 9 peuvent être utilisés.

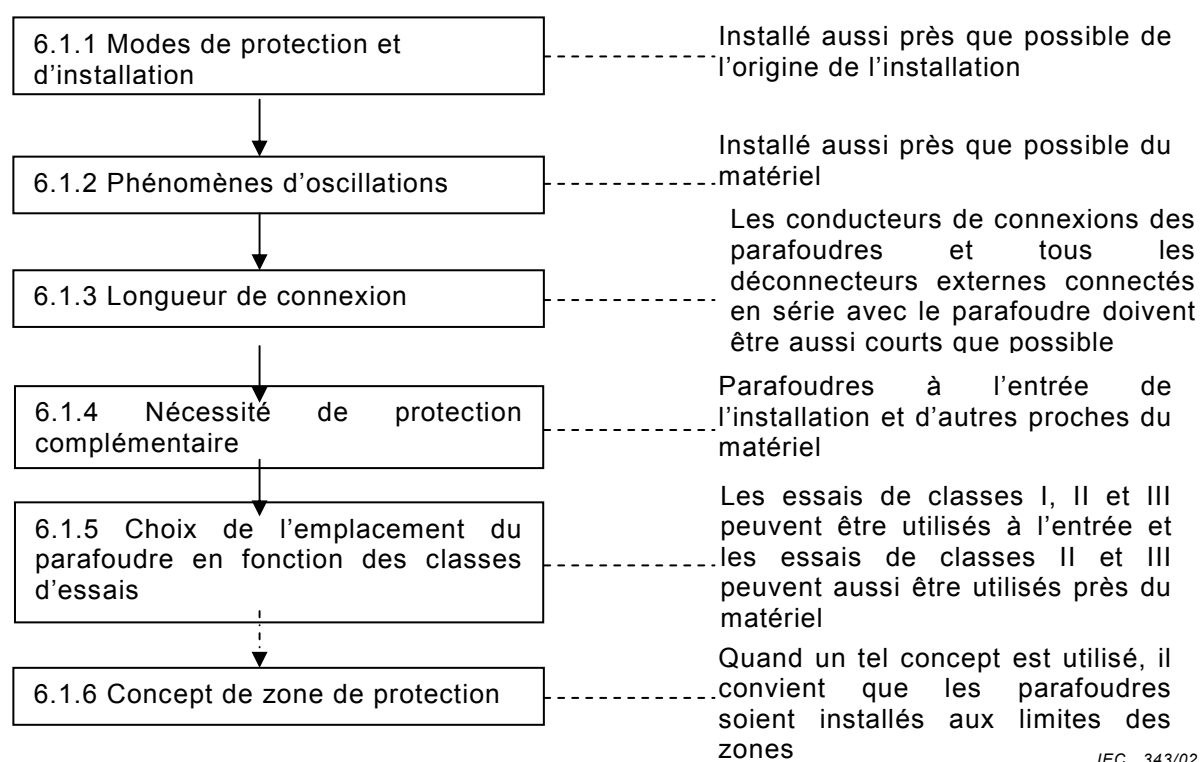


Figure 9 – Organigramme d'utilisation des parafoudres

Des exemples d'installation pratique de parafoudres sont donnés à l'Annexe N.

Au point d'entrée dans le bâtiment en fonction des contraintes, les parafoudres soumis aux essais selon les classes I, II ou III peuvent être utilisés. La prise en compte des contraintes électriques impliquées dans les chocs est la clé pour le choix du bon parafoudre. En particulier, lorsqu'un système de protection contre la foudre est présent, des informations complémentaires peuvent être trouvées dans la série CEI 62305. Les parafoudres soumis aux essais selon les essais de classe II et de classe III sont aussi appropriés à un emplacement proche du matériel à protéger.

6.1.1 Modes possibles de protection et d'installation

Lorsque le dispositif à protéger a une tenue suffisante aux surtensions ou est situé à proximité du tableau de distribution principal, un seul parafoudre peut être suffisant. Dans ce cas, il convient d'installer le parafoudre aussi près que possible de l'origine de l'installation. Il convient que les parafoudres aient une capacité de tenue aux chocs suffisante pour cet emplacement. Les Figures K.1 à K.5 montrent des connexions typiques des parafoudres situés à l'entrée de l'installation pour différents types de réseaux. La Figure K.5 représente le cas particulier d'un schéma TN C-S.

Les parafoudres situés au niveau ou à proximité de l'entrée de l'installation doivent être connectés au moins entre les points suivants:

- a) s'il y a une connexion directe entre le conducteur de neutre et la terre de protection au niveau ou à proximité de l'entrée de l'installation ou s'il n'y a aucun conducteur de neutre:

entre chaque conducteur de phase et soit la borne principale de terre, soit le conducteur de protection principal, selon le trajet le plus court;

NOTE 1 L'impédance reliant le neutre à la terre de protection dans les schémas IT n'est pas considérée comme une connexion.

- b) s'il n'y a pas de connexion directe entre le conducteur de neutre et la terre de protection au niveau ou à proximité de l'entrée de l'installation:

entre chaque conducteur de phase et soit la borne principale de terre, soit le conducteur de protection principal, et entre le conducteur de neutre et soit la borne principale de terre, soit le conducteur de protection, selon le trajet le plus court – Connexion de type 1 (CT 1, *connection type 1*), voir Figure 10

ou

entre chaque conducteur de phase et le conducteur de neutre, et entre le conducteur de neutre et soit la borne principale de terre, soit le conducteur de protection, selon le trajet le plus court – Connexion de type 2 (CT 2), voir Figure 11.

NOTE 2 Si un conducteur de phase est mis à la terre, il est considéré comme équivalent à un conducteur de neutre pour l'application du présent paragraphe.

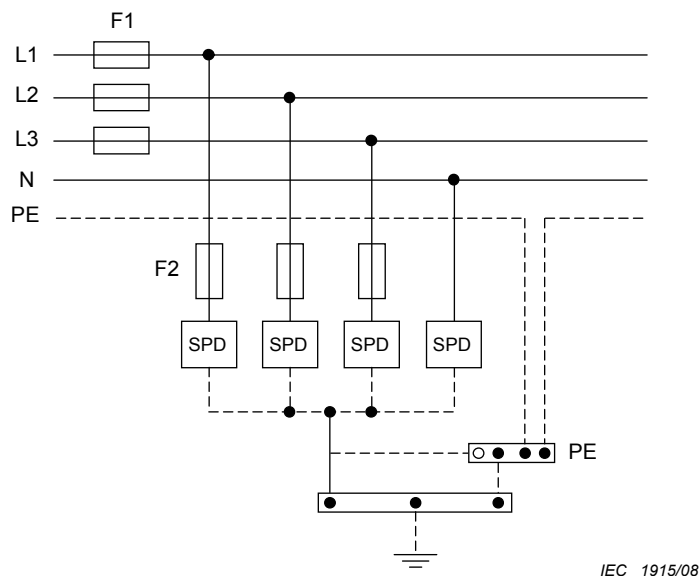


Figure 10 – Connexion de type 1 (CT1)

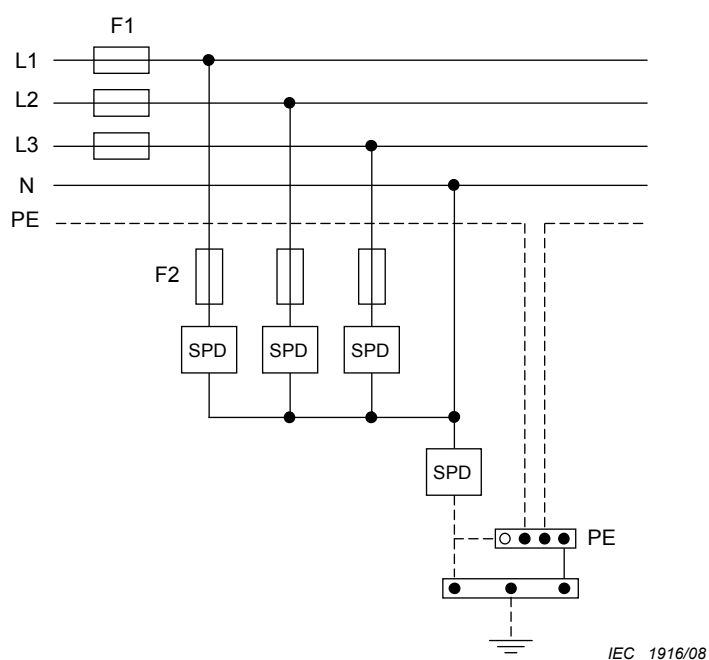


Figure 11 – Connexion de type 2 (CT2)

Le Tableau 3 indique les modes de protection possibles pouvant être exigés pour différents réseaux basse tension.

NOTE 3 Si plusieurs parafoudres sont connectés sur le même conducteur, une coordination entre eux est nécessaire.

NOTE 4 Le nombre de modes de protection dépend du type de matériel à protéger (par exemple, si le matériel n'est pas relié à la terre, la protection phase ou neutre mis à la terre peut ne pas être nécessaire), de la tenue du matériel selon les différents modes de protection, de la structure du réseau électrique et de la mise à la terre et des caractéristiques de la surtension à l'arrivée. Par exemple, la protection entre phase-neutre et le conducteur PE ou entre phase et neutre est généralement suffisante, et la protection entre phases n'est généralement pas utilisée.

NOTE 5 Il convient que l'installation des parafoudres devant le compteur électrique du distributeur soit effectuée avec l'accord du distributeur d'énergie.

Tableau 3 – Modes possibles de protection pour différents réseaux BT

Parafoudres raccordés entre:	Configuration du réseau au point d'installation du parafoudre							
	TT		TN-C	TN-S		IT avec neutre distribué		IT sans neutre distribué
	Installation conformément à			Installation conformément à		Installation conformément à		
CT 1	CT 2	CT 1		CT 2	CT 1	CT 2		
Chaque conducteur de phase et le conducteur de neutre	+	•	NA	+	•	+	•	NA
Chaque conducteur de phase et le conducteur PE	•	NA	NA	•	NA	•	NA	•
Le conducteur de neutre et le conducteur PE	•	•	NA	• Voir Note 1	• Voir Note 1	•	•	NA
Chaque conducteur de phase et le conducteur PEN	NA	NA	•	NA	NA	NA	NA	NA
Conducteurs de phase	+	+	+		+	+	+	+
• : exigé NA : non applicable + : facultatif, en plus des parafoudres requis CT: type de connexion								
NOTE 1 Lorsque la distance entre l'emplacement du parafoudre et le point de liaison PE – N est courte (généralement inférieure à 10 m), ce parafoudre peut ne pas être exigé.								
NOTE 2 Lorsqu'une connexion de type 2 est utilisée, il convient de comparer la tension de tenue du matériel U_w au niveau de protection obtenu par deux parafoudres en série (L-N et N-PE). Ceci peut donner un résultat différent que le simple fait d'ajouter les U_p des deux parafoudres.								

Il est recommandé que les réseaux de télécommunication et de puissance entrent dans la structure à protéger, à proximité des autres réseaux et soient reliés ensemble à une même barre de liaison. Ceci est particulièrement important pour des structures faites de matériaux non conducteurs (bois, briques, béton, etc.).

Voir l'Annexe K pour de plus amples informations.

6.1.2 Influence des phénomènes d'oscillation sur la distance de protection (appelée distance de séparation dans certains pays)

Lorsqu'un parafoudre est utilisé pour protéger un matériel spécifique ou lorsque le parafoudre situé au niveau du tableau de distribution principal ne peut pas assurer une protection suffisante pour certains matériels, il convient que les parafoudres soient installés aussi près que possible du matériel à protéger. Si la distance entre le parafoudre et le matériel à protéger est trop grande, des oscillations pourraient conduire à une tension aux bornes du matériel généralement deux fois plus élevée que U_p mais qui, dans certaines circonstances, peut être supérieure ou peut dépasser ce niveau. Ceci peut causer une défaillance du matériel à protéger, malgré la présence du parafoudre (voir Figures K.8 à K.10). Une distance acceptable (appelée distance de protection) dépend du type de parafoudres, du type de réseaux, de la pente et de la forme d'onde de la surtension d'entrée et des charges raccordées. En particulier, ce doublement de la tension est possible seulement si le matériel correspond à une charge d'impédance élevée ou si le matériel est déconnecté intérieurement. La Figure K.10 montre un exemple de doublement de tension dans de telles conditions, pour illustrer le phénomène.

En général, les oscillations peuvent ne pas être prises en compte pour des distances inférieures à 10 m. Quelquefois, le matériel a des éléments internes de protection (par exemple, des varistances) qui réduiront de façon significative les oscillations, même à des distances supérieures. Dans ce dernier cas, il est nécessaire de prendre des précautions pour éviter des problèmes de coordination entre le parafoudre et le composant de protection à l'intérieur du matériel.

NOTE La distance de protection peut être réduite en raison de la tension directement induite par le courant de foudre dans la boucle du circuit existant entre le parafoudre et le matériel à protéger.

Voir l'Annexe K pour de plus amples informations.

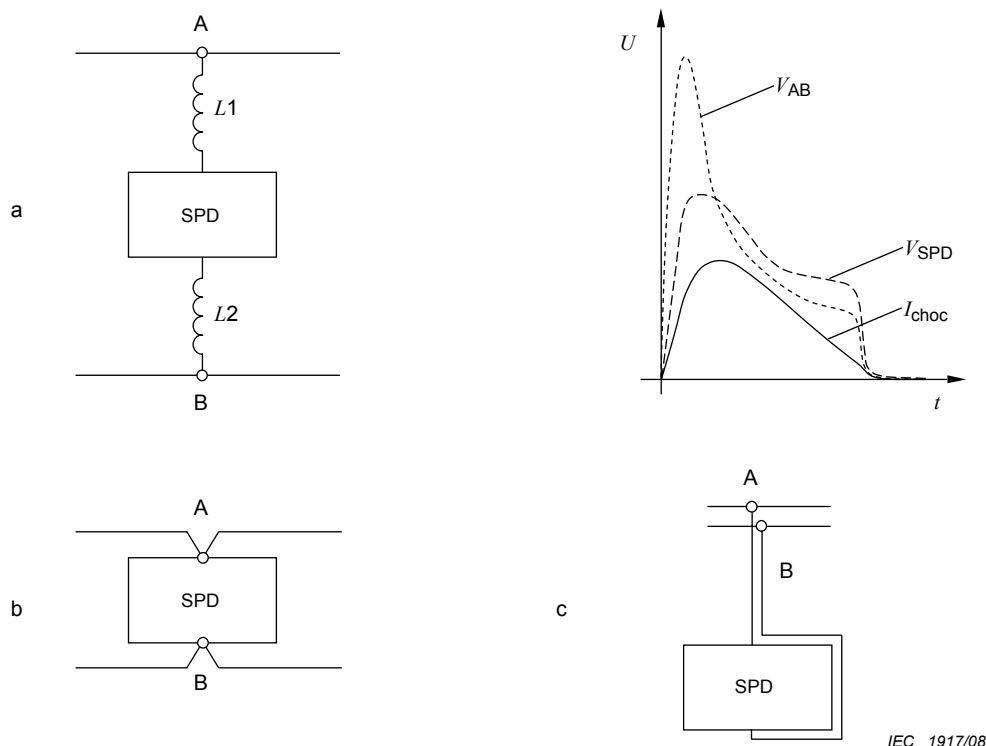
6.1.3 Influence de la longueur des câbles de connexion

Afin d'obtenir une protection optimale contre les surtensions, les conducteurs de raccordement des parafoudres doivent être aussi courts que possible. De grandes longueurs de câbles pourront contribuer à la dégradation de la protection donnée par le parafoudre. De ce fait, il peut être nécessaire de choisir un parafoudre avec un niveau de protection en tension plus faible, de façon à permettre une protection efficace. La tension résiduelle transférée au matériel sera la somme de la tension due au parafoudre et de la chute de tension inductive des câbles raccordés. Les deux tensions peuvent ne pas être maximales exactement au même moment mais, pour des raisons plus pratiques, peuvent simplement être additionnées. La Figure 10 montre l'effet de l'inductance des câbles de raccordement sur la tension mesurée entre les points de connexion du parafoudre pendant le courant d'impulsion de décharge.

En règle générale, l'inductance des câbles est supposée être de 1 $\mu\text{H}/\text{m}$. Ainsi, la chute de tension inductive provoquée par une impulsion à un niveau de croissance de 1 $\text{kA}/\mu\text{s}$ sera approximativement de 1 kV/m de la longueur de câble. De plus, si le gradient de dI/dt est supérieur, cette valeur augmentera.

Autant que possible, il est préférable d'utiliser le schéma b) de la Figure 12, où l'effet de cette inductance est considérablement réduit. Le schéma c) utilisant des fils torsadés peut être utilisé lorsqu'il n'est pas possible d'utiliser le schéma b). Il convient d'éviter dans toute la mesure du possible le schéma a). Dans la mesure où le fait d'augmenter la longueur des conducteurs de raccordement des parafoudres réduit l'efficacité de la protection contre les surtensions, une protection optimale contre les surtensions est obtenue au schéma a) lorsque tous les conducteurs de raccordement des parafoudres sont aussi courts que possible (de préférence ne dépassant pas 0,5 m pour la longueur totale de câble) et sans aucune boucle.

NOTE Si le chemin de retour de courant est magnétiquement couplé aux conducteurs d'alimentation en plaçant les conducteurs à proximité les uns des autres, l'inductance sera réduite (voir Figure 12 c).



IEC 1917/08

Légende

- a) $L1, L2$ Inductances correspondant aux longueurs de câbles $l1$ et $l2$
 - I_{choc} Forme d'onde du courant de choc en fonction du temps
 - V_{SPD} Tension aux bornes du parafoudre lors du choc
 - V_{AB} Tension entre les bornes A et B lors du choc = V_{SPD} + chute de tension due à l'inductance $L1 + L2$
- CE SCHÉMA EST À ÉVITER SI POSSIBLE, EN PARTICULIER SI LES VALEURS DE $L1$ OU $L2$ SONT IMPORTANTES
- b) CE SCHÉMA EST PRÉFÉRABLE
 - c) CE SCHÉMA EST ACCEPTABLE LORSQUE LE SCHÉMA b) N'EST PAS POSSIBLE

Figure 12 – Influence des longueurs des câbles de connexion des parafoudres

Voir l'Annexe K pour de plus amples informations.

6.1.4 Nécessité d'une protection complémentaire

Dans certaines conditions, un parafoudre est suffisant, par exemple si les contraintes à l'entrée de la structure sont faibles. Il est alors préférable d'installer le parafoudre à proximité de l'entrée (voir 6.1.1).

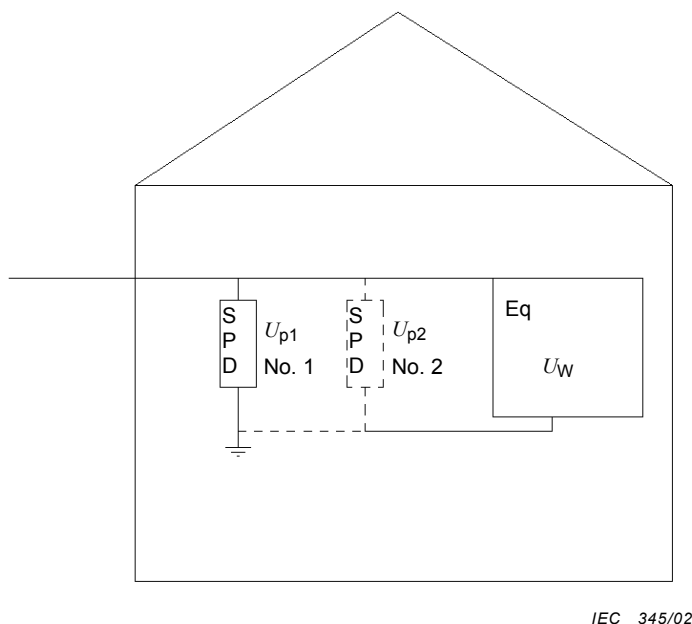
Une protection complémentaire à proximité du matériel à protéger peut être nécessaire, par exemple:

- en présence de matériels très sensibles (électroniques, ordinateurs);
- si la distance entre le parafoudre situé à l'entrée et le matériel à protéger est trop grande (voir 6.1.2);
- dans le cas de champs électromagnétiques créés à l'intérieur de la structure par des décharges de foudre et des sources internes d'interférence.

Il est nécessaire de considérer la tenue en tension (U_W , voir la CEI 60664-1) du matériel le plus sensible à protéger du réseau ou, dans certains cas, lorsque le fonctionnement continu

du matériel est critique, le niveau d'immunité aux chocs du matériel. Dans l'exemple ci-dessous, lorsque le matériel n'est pas critique et que U_W est seulement prise en compte, le parafoudre situé au plus près de ce matériel doit être choisi avec un niveau de protection en tension de U_{p2} d'au moins 20 % inférieur à la tenue en tension de ce matériel. Si le niveau de protection (U_{p1}) du parafoudre à l'entrée de l'installation combiné avec l'effet décrit en 6.1.2, dû à la distance entre ce parafoudre et le matériel, entraîne une tension aux bornes du matériel inférieure à $0,8 \times U_W$, aucun parafoudre supplémentaire placé à côté du matériel n'est nécessaire (voir Figure 13).

Voir K.1.2 et Figure K.9 pour plus d'informations.



Légende

Si $U_{p1} \times k < 0,8 \times U_W$, seul le parafoudre n° 1 (situé à l'entrée de l'installation) est nécessaire.

Si $U_{p1} \times k > 0,8 \times U_W$, il convient d'installer le parafoudre n° 2 (avec $U_{p2} < 0,8 U_W$) en plus du parafoudre n° 1.

Eq est le matériel à protéger ayant une tenue en tension U_W comme défini par la CEI 60664-1.

k est un coefficient ($1 < k < 2$, voir 6.1.2) prenant en compte les oscillations possibles.

Figure 13 – Nécessité d'une protection complémentaire

NOTE L'immunité du matériel obtenue selon la CEI 61000-4-5 peut être différente de la tenue en tension définie dans la CEI 60664-1 (U_W). Ceci est dû au fait que l'essai de la CEI 61000-4-5 utilise un générateur combiné, et une partie du courant de choc peut s'écouler dans le matériel (en particulier s'il a une faible impédance). Dans ce cas, une coordination appropriée est nécessaire (voir 6.2.6). Des informations supplémentaires sur la comparaison entre l'immunité et la tenue à l'isolement sont données en Annexe M. Il convient de noter qu'en dépit de la CEI 60664-1 décrivant la manière d'obtenir U_W , il peut être difficile en pratique d'obtenir la valeur de U_W pour chaque type de matériel.

Des surtensions de coupure potentiellement nuisibles peuvent être provoquées dans les bâtiments. Dans ce cas, des parafoudres complémentaires peuvent être nécessaires.

Lorsque deux parafoudres sont utilisés dans le même circuit, ils doivent être coordonnés.

6.1.5 Considération concernant l'emplacement du parafoudre en fonction des classes d'essai

Au point d'entrée dans le bâtiment en fonction des contraintes, les parafoudres soumis aux essais selon les classes I, II ou III peuvent être utilisés. La prise en compte des contraintes électriques impliquées dans les chocs est la clé pour le choix du bon parafoudre. Les

parafoudres soumis aux essais selon les essais de classe II et de classe III sont aussi appropriés à un emplacement proche du matériel à protéger.

6.1.6 Concept de zone de protection

En vue de la conception et de l'application d'une protection contre la foudre appropriée, il peut être utile de considérer une hiérarchie de zones de protection, comme décrit dans la CEI 62305-4.

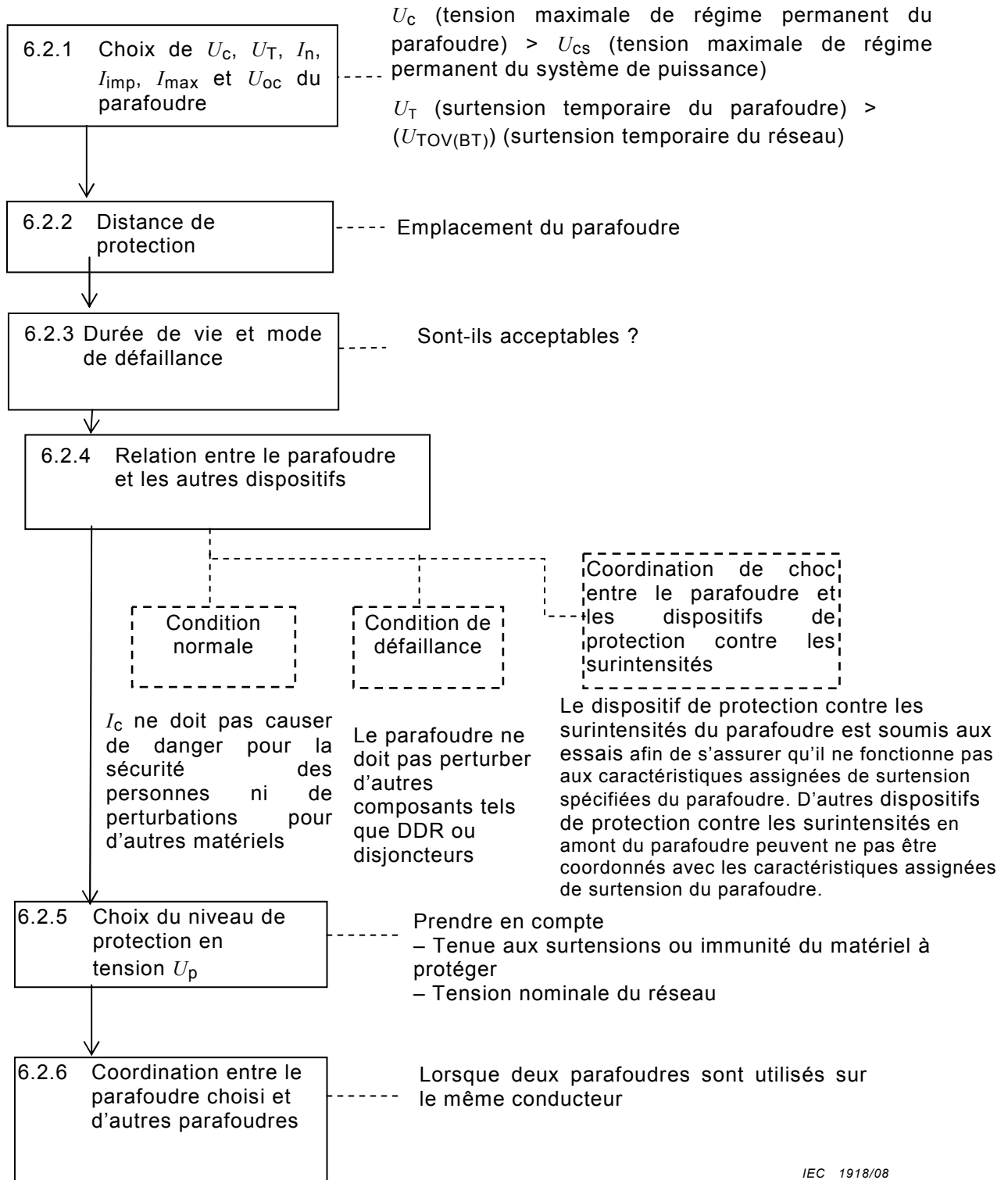
Ce concept de planification suppose que les paramètres critiques provoqués par les coupures dans les installations de puissance et les coups de foudre directs/indirects, sont réduits par paliers (il convient que la distance entre les paliers soit conforme à 6.1.2) entre l'environnement non protégé et la protection de matériels sensibles.

Un exemple de subdivision des installations de puissance dans le bâtiment en zones de protection et de répartition des parafoudres est donné à la Figure K.11.

© IEC 2008

6.2 Choix du parafoudre

Le parafoudre est choisi selon le schéma suivant, en six étapes données de 6.2.1 à 6.2.6.



IEC 1918/08

Figure 14 – Organigramme pour le choix d'un parafoudre

6.2.1 Choix de U_C , U_T , I_n , I_{imp} , I_{max} et U_{OC} du parafoudre

6.2.1.1 Tension maximale de régime permanent U_C du parafoudre

La valeur de U_C du parafoudre doit remplir les critères suivants.

U_C doit être supérieure à la tension maximale de régime permanent du réseau $U_{CS} (= k \times U_0)$ (voir Annexe J et, en ce qui concerne les valeurs recommandées, se reporter à l'Annexe B).

$$U_C > U_{CS}$$

NOTE 1 De plus, pour le schéma IT, il convient que U_C soit suffisamment élevée pour couvrir les conditions de premier défaut. Ceci est couvert par les valeurs indiquées au Tableau 4.

En pratique, cela conduit à répondre aux exigences suivantes (voir la CEI 60364-5-53):

Tableau 4 – Valeur de U_C minimale recommandée du parafoudre pour les différents réseaux d'alimentation

Parafoudres raccordés entre:	Configuration du réseau de distribution				
	TT	TN-C	TN-S	IT avec neutre distribué	IT sans neutre distribué
Chaque conducteur de phase et le conducteur de neutre	$1,1 U_0$	NA	$1,1 U_0$	$1,1 U_0$	NA
Chaque conducteur de phase et le conducteur PE	$1,1 \times U_0$	NA	$1,1 U_0$	$\sqrt{3} \times U_0$ (voir Note 3)	Tension entre phases (voir Note 3)
Le conducteur de neutre et le conducteur PE	U_0 (voir Note 3)	NA	U_0 (voir Note 3)	U_0 (voir Note 3)	NA
Chaque conducteur de phase et le conducteur PEN	NA	$1,1 U_0$	NA	NA	NA

NA: non applicable.

NOTE 2 U_0 est la tension phase-neutre d'un réseau basse tension.

NOTE 3 Ces valeurs sont liées aux conditions de défaut les plus défavorables, et par conséquent la tolérance de 10 % n'est pas prise en compte.

NOTE 4 Dans les schémas IT étendus, des valeurs plus élevées de U_C peuvent être nécessaires.

6.2.1.2 Caractéristiques assignées de surtension temporaire U_T du parafoudre

Les valeurs de U_T doivent être supérieures à la surtension temporaire (TOV) prévue dans l'installation, en raison de défaillances dans le réseau basse tension, comme l'illustre la Figure 15.

$$U_T > U_{TOV(BT)}$$

NOTE 1 Une tension $U_{TOV(BT)}$ dont la durée est supérieure à 5 s peut être considérée comme une tension maximale de régime permanent (U_C). En schéma IT, par exemple, la valeur de U_C d'un parafoudre relié entre la phase et la terre est au moins égale à la tension maximale du réseau entre phases ($U_0 \times \sqrt{3}$) en raison de défauts à la terre pouvant se produire pendant une durée très longue (plusieurs heures).

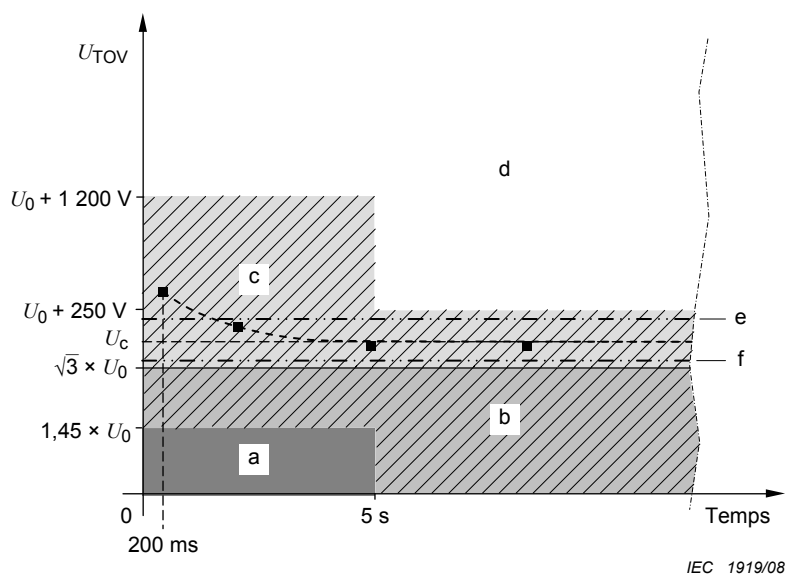
Tableau 5 – Valeurs d'essai de surtension temporaire types

Application	Valeurs d'essai de surtension temporaire U_T	
	pendant 5 s	pendant 200 ms
Parafoudres raccordés à:		
Schémas TN		
Connexion L- (PE)N (phase-terre de protection/neutre) ou L-N (phase-neutre)	$1,32 \times U_{cs}$	
Connexion N-PE (neutre-terre de protection)		
Connexion L-L (phase-phase)		
Schémas TT		
Connexion L-PE	$1,55 \times U_{cs}$	$1200 + U_{cs}$
Connexion L-N	$1,32 \times U_{cs}$	
Connexion N-PE		1200
Connexion L-L		
Schémas IT		
Connexion L-PE		$1200 + U_{cs}$
Connexion L-N	$1,32 \times U_{cs}$	
Connexion N-PE		1200
Connexion L-L		
Schémas TN, TT et IT		
Connexion L-PE	$1,55 \times U_{cs}$	$1200 + U_{cs}$
Connexion L-(PE) N	$1,32 \times U_{cs}$	
Connexion N-PE		1200
Connexion L-L		

NOTE 2 Le présent tableau satisfait aux exigences données dans la CEI 60364-5-53. A cet effet, $U_{cs} = 1,1 \times U_o$.

NOTE 3 Les différents réseaux de puissance et les différentes mises à la terre ne satisfaisant pas aux règles d'installation de la CEI peuvent exiger des valeurs différentes de celles données dans le tableau ci-dessus.

Dans certains cas où les surtensions temporaires ont une amplitude trop élevée, il peut être difficile de trouver un parafoudre capable d'assurer une protection acceptable du matériel. Si la probabilité d'occurrence est suffisamment faible, on peut décider d'utiliser un parafoudre qui ne soit pas capable de supporter la contrainte des surtensions temporaires. Dans ce cas, un dispositif de déconnexion adéquat doit être utilisé.



Légende

- a Zone de $U_{TOV(BT)}$ entre phase et neutre en schémas TT, TN et IT pour un défaut dans l'installation BT (court-circuit)
- b Zone de $U_{TOV(BT)}$ entre phase et terre en schéma IT (TT) pour un défaut dans l'installation BT (mise à la terre accidentelle) et zone de $U_{TOV(BT)}$ entre phase et neutre en schémas TT et TN pour un défaut dans l'installation BT (coupure du neutre)
- c Valeur maximale de $U_{TOV(HT)}$ à l'emplacement de l'utilisateur entre phase et terre en schémas TT et IT dans le cas d'un défaut se produisant sur le réseau HT
- d Zone indéfinie
- e $U_{TOV(BT)}$ exigée pour un parafoudre utilisé sur des réseaux 120/240 V monophasés 3W+G (à trois fils + terre, *three wires + ground*)
- f $U_{TOV(BT)}$ exigée pour un parafoudre utilisé sur des réseaux 120/208 V, 277/480 V et 347/600 V triphasés 4W+G (à quatre fils + terre, *four wires + ground*)

NOTE e et f sont utilisés en Amérique du Nord.

■ Valeurs de U_T du parafoudre

Figure 15 – U_T et U_{TOV}

NOTE 4 Comme indiqué sur la figure, il est possible de choisir un parafoudre présentant les caractéristiques suivantes:

$$U_T = U_c \geq U_{TOV(BT) \text{ max}}$$

C'est le cas en particulier pour les schémas IT.

En choisissant un parafoudre avec le niveau souhaité de protection, il faut tenir compte du comportement requis (caractéristique de tenue ou mode de défaillance) en fonction des surtensions temporaires prévues.

Si la probabilité d'occurrence est suffisamment faible, on peut décider d'utiliser un parafoudre qui ne soit pas capable de supporter la contrainte des surtensions temporaires, mais qui subit une défaillance de manière acceptable, conformément à la CEI 61643-1, afin d'atteindre le niveau souhaité de protection.

Si le mode de défaillance n'est pas acceptable, des mesures supplémentaires doivent être prises pour limiter les surtensions temporaires avant l'application des parafoudres avec un niveau de protection acceptable.

6.2.1.3 I_n , I_{max} , I_{imp}

I_n est lié au niveau de protection U_p , où I_{max} et I_{imp} sont nécessaires pour le choix de l'énergie admissible appropriée.

Le choix de l'énergie admissible du parafoudre (choix de I_{imp} , I_{max} ou U_{0C} en fonction de la classe d'essai) doit se baser sur l'analyse du risque (voir Article 7) qui compare la probabilité de l'apparition de chocs, le prix des matériels à protéger et le taux de défaillance acceptable complété d'une analyse de la coordination lorsque plus d'un parafoudre est impliqué.

NOTE 1 Des valeurs supérieures à celles privilégiées de 5.5.2.1 et 5.5.2.2 peuvent être utilisées si nécessaire.

Si la protection contre les surtensions d'origine atmosphérique nécessite des parafoudres, le courant nominal de décharge I_n à l'origine de l'installation ne doit pas être inférieur à 5 kA 8/20 pour chaque mode de protection requis.

Dans le cas d'une installation conformément à la connexion de type 2 (voir Figure 11), le courant nominal de décharge I_n à l'origine de l'installation pour le parafoudre connecté entre le conducteur de neutre et la terre de protection ne doit pas être inférieur à 20 kA 8/20 pour les réseaux triphasés et à 10 kA 8/20 pour les réseaux monophasés.

Si la présence de systèmes de protection contre la foudre avec la possibilité de coups de foudre directs nécessite des parafoudres, le courant de choc de foudre I_{imp} doit être évalué (voir Annexe I). Pour une évaluation de ce type, il convient que le composant [fusibles, section du câblage, ...] installé en amont du parafoudre soit pris en compte, dans la mesure où ceci peut limiter la capacité maximale aux chocs de l'ensemble du système et par conséquent les contraintes maximales sur le parafoudre. Si une telle évaluation n'est pas possible, la valeur de I_{imp} ne doit pas être inférieure à 12,5 kA pour chaque mode de protection requis.

Dans le cas d'une installation conformément à la connexion de type 2, le courant de choc de foudre I_{imp} pour le parafoudre connecté entre le conducteur de neutre et la terre de protection doit être calculé de la même façon que dans la CEI 62305-4. Si la valeur de courant ne peut pas être établie, la valeur de I_{imp} ne doit pas être inférieure à 50 kA pour les réseaux triphasés et à 25 kA pour les réseaux monophasés.

NOTE 2 Des informations complémentaires sont données dans la CEI 62305-1, Annexe E.

Lorsqu'un seul parafoudre est utilisé pour la protection contre les surtensions d'origine atmosphérique et pour la protection contre les coups de foudre directs, les caractéristiques assignées de I_n et de I_{imp} doivent être conformes aux valeurs ci-dessus.

Le choix de I_n et I_{max} pour les parafoudres supplémentaires est effectué d'après les règles de coordination décrites en 6.2.6.

NOTE 3 I_{max} est utilisé pour des cas particuliers uniquement, étant donné qu'en général I_n est suffisant pour caractériser un parafoudre soumis aux essais de classe II. I_{max} donne une indication de l'énergie admissible et, par conséquent, de l'espérance de vie dans un emplacement spécifique.

6.2.2 Distance de protection

Pour déterminer l'emplacement du parafoudre (à l'entrée, à proximité du matériel, etc), il est nécessaire de connaître la distance de protection, c'est-à-dire la distance acceptable entre le parafoudre et le matériel à protéger, pour laquelle le parafoudre procure une protection suffisante.

Cette distance dépend des caractéristiques du parafoudre (U_p , etc.), de son installation dans la structure (longueur des câbles, etc), des caractéristiques du réseau (type et longueur des conducteurs, etc.) et des caractéristiques du matériel (tenue à la surtension, immunité, etc.).

Pour plus d'explications, se référer à 6.1.2 et 6.1.3, où les phénomènes pris en compte sont traités.

NOTE Il convient que le concepteur des zones de protection ait conscience de la distance de protection des parafoudres pour le matériel à protéger (voir 6.1.6).

6.2.3 Durée de vie et mode de défaillance présumés

6.2.3.1 Durée de vie présumée par rapport à la durée de vie réelle

La durée de vie présumée d'un parafoudre dépend principalement de la probabilité d'apparition de chocs dépassant la capacité de décharge maximale du parafoudre.

La durée de vie réelle d'un parafoudre peut être longue ou courte, en fonction de la fréquence réelle d'apparition.

Par exemple, si quelques secondes après l'installation d'un parafoudre présentant un courant maximal de décharge donné I_{max} déterminé par une analyse de risque adaptée, un courant de choc exceptionnel apparaît, dépassant cette valeur de I_{max} , le parafoudre est susceptible de se détruire. Sa durée de vie réelle sera alors très courte dans ce cas! Ce cas extrême montre que toute durée de vie présumée donnée par le fabricant est uniquement une valeur statistique qui ne peut jamais être une garantie de la durée de vie réelle.

La seule méthode possible est de prendre en compte les durées de vie présumées. Lorsqu'un courant de choc exceptionnel se produit, tout parafoudre ayant une valeur de I_{max} bien inférieure à ce courant de choc sera détruit, même si cet événement a lieu quelques secondes après l'installation. Dans un tel cas, il est sans importance que la valeur de I_{max} soit dix fois inférieure ou seulement deux fois inférieure à ce courant de choc exceptionnel. Cependant, pour une application donnée, la durée de vie prévue d'un parafoudre avec une valeur de I_{max} élevée spécifiée est toujours supérieure à celle d'un parafoudre similaire avec une valeur de I_{max} inférieure, tant que les limites de la tenue du parafoudre ne sont pas dépassées.

Pour résumer, il est nécessaire de choisir un parafoudre qui

- tienne compte de U_{TOV} , des coups de foudre attendus et de la coordination nécessaire avec d'autres parafoudres;
- ne cause pas de danger d'incendie ou de choc électrique en cas de défaillance.

6.2.3.2 Modes de défaillance

Le mode de défaillance lui-même dépend du type de chocs et des surtensions. La coordination entre le parafoudre et toute protection de secours en amont est nécessaire si l'on veut éviter des perturbations ou une coupure de l'alimentation.

6.2.4 Interaction entre les parafoudres et d'autres dispositifs

Voir aussi la série CEI 60364 qui donne des informations sur ce sujet.

6.2.4.1 Conditions normales

Le courant de fonctionnement permanent (I_C) ne doit pas engendrer de dangers pour la sécurité des personnes (contact indirect, etc.) ni de perturbations pour d'autres matériels (par exemple, DDR).

NOTE 1 Il convient que I_C soit inférieur au tiers du courant résiduel assigné ($I_{\Delta n}/3$) en cas de DDR. Il convient de tenir compte des effets cumulés des différents parafoudres et d'autres dispositifs.

NOTE 2 Si le parafoudre est situé à l'aval d'un DDR, d'un fusible ou d'un disjoncteur, il ne peut pas les protéger contre tout déclenchement indésirable, tout fonctionnement non prévu ou dommages dus à des chocs.

6.2.4.2 Conditions de défaillance

Il est possible de munir le parafoudre de dispositifs de déconnexion nécessaires, de façon à ce qu'il ne perturbe pas d'autres dispositifs de protection tels que des DDR, des fusibles ou des disjoncteurs.

La tenue aux courants de court-circuit des parafoudres (en cas de défaillance du parafoudre) ainsi que du dispositif de protection contre les surintensités associé spécifié (interne ou externe) doit être supérieure ou égale au courant de court-circuit maximal prévu au point d'installation, en tenant compte des dispositifs de protection contre les surintensités maximales spécifiés par le fabricant du parafoudre.

De plus, lorsqu'une valeur de coupure assignée du courant de suite est déclarée par le fabricant, elle doit être supérieure ou égale au courant de court-circuit prévu au point d'installation.

Les parafoudres connectés entre le conducteur de neutre et la terre de protection dans les schémas TT ou TN, qui permettent un courant de suite à fréquence industrielle après fonctionnement (par exemple, éclateurs), doivent avoir une valeur de coupure assignée du courant de suite supérieure ou égale à $I_{fi} \geq 100$ A.

Dans les schémas IT, la valeur de coupure assignée du courant de suite pour les parafoudres connectés entre le conducteur de neutre et la terre de protection doit être la même que pour les parafoudres connectés entre la phase et le neutre.

6.2.4.3 Coordination de choc entre un parafoudre et un DDR ou des dispositifs de protection contre les surintensités tels que des fusibles ou des disjoncteurs

Une capacité de tenue définie des dispositifs de protection contre les surintensités et des dispositifs de protection à courant différentiel-résiduel (DDR) utilisés dans les réseaux n'est pas déterminée sauf pour les types S qui, selon leurs propres normes (CEI 61008-1 et CEI 61009-1), doivent être capables de supporter 3 kA 8/20 sans déclenchement.

Lors de la coordination des parafoudres avec les dispositifs de protection contre les surintensités ou les DDR, il est recommandé que, pour le courant de décharge nominal, I_n , ce dispositif de protection contre les surintensités ou le DDR ne fonctionne pas.

Cependant, pour un courant supérieur à I_n , il est permis de laisser le dispositif de protection contre les surintensités fonctionner. Dans le cas d'un dispositif de protection contre les surintensités réarmable, tel qu'un disjoncteur, il convient qu'il ne soit pas endommagé par le choc.

Dans ce cas, en raison du temps de réponse de tels dispositifs de protection contre les surintensités, le choc complet s'écoulera totalement dans le parafoudre, même si le dispositif de protection contre les surintensités fonctionne. Ainsi, le parafoudre doit avoir une énergie admissible suffisante. Il convient que le fonctionnement du DDR ou du dispositif de protection contre les surintensités dû à ce phénomène ne soit pas considéré comme une défaillance du parafoudre, étant donné que l'installation est toujours protégée. Il convient d'utiliser des configurations particulières ou des dispositifs de protection contre les surintensités si une coupure de l'alimentation n'est pas acceptable par l'utilisateur.

NOTE 1 En cas d'exposition à un courant élevé, par exemple en cas de présence de systèmes de protection contre la foudre ou de lignes aériennes, le fonctionnement du dispositif de protection contre les surintensités est acceptable en dessous de I_n , si I_n est supérieur à la tenue réelle du dispositif de protection contre les surintensités utilisé dans l'installation. Dans ce cas, le choix du courant nominal de décharge du parafoudre est fondé seulement sur la capacité aux chocs.

NOTE 2 Si la décharge d'un parafoudre de type coupure de tension se produit, la qualité du branchement électrique peut être réduite. Le courant de suite entraîne généralement le fonctionnement d'un dispositif de

protection contre les surintensités, sauf si le parafoudre de type coupure de tension est à coupure automatique. La coordination avec le dispositif de protection contre les surintensités en amont du parafoudre est alors nécessaire.

NOTE 3 Pour la protection contre les contacts indirects, la CEI 60364-5-53 s'applique.

6.2.5 Choix du niveau de protection en tension U_p

La tenue aux chocs du matériel (ou l'immunité aux chocs du matériel critique) à protéger et la tension nominale du réseau doivent être prises en considération lors du choix de la valeur préférentielle du niveau de protection en tension du parafoudre. Plus la valeur est faible, plus le niveau de protection est élevé. Ceci est limité quand on prend en compte U_C et U_T , la dégradation du parafoudre et la coordination avec les autres parafoudres. Voir aussi 6.1.2 et 6.1.3.

Le niveau de protection en tension pour les parafoudres à limitation de tension est lié à une valeur spécifiée de I_n et $I_{crête}$ pour les essais de classe I et de I_n pour les essais de classe II. Le choix du niveau de protection en tension pour les essais de classe III est défini par l'essai en onde combinée (U_{oc}).

De plus, pour les parafoudres à coupure de tension ou les parafoudres de type combiné, le niveau de protection en tension est aussi lié à la tension d'amorçage.

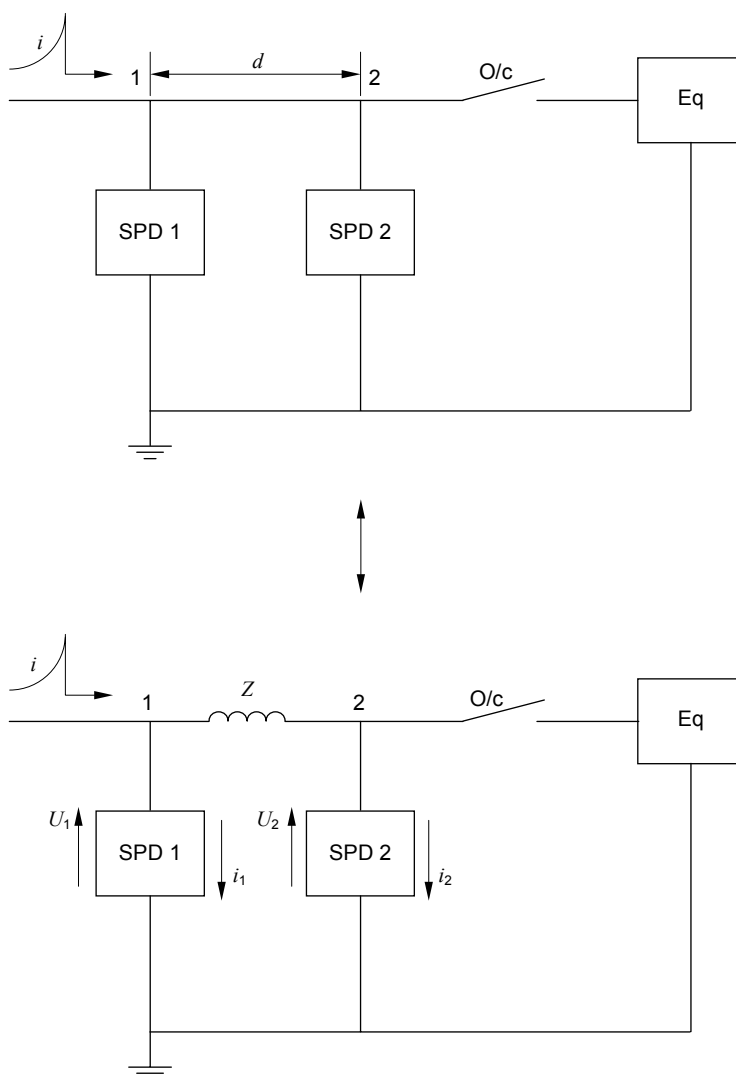
6.2.6 Coordination entre le parafoudre choisi et les autres parafoudres

6.2.6.1 Généralités

Comme déjà vu, certaines applications peuvent nécessiter l'utilisation de deux parafoudres (ou plus), afin de réduire à une valeur acceptable (niveau de protection en tension plus faible) la contrainte électrique exercée sur le matériel à protéger, et pour réduire le courant transitoire à l'intérieur de la structure.

Pour obtenir une répartition acceptable de la contrainte entre les deux parafoudres en fonction de leur énergie admissible, une coordination est nécessaire.

Un exemple est illustré à la Figure 16.



IEC 1920/08

Légende

Eq Matériel (*equipment*) à protéger en fonctionnement normal

O/c Circuit ouvert (*open circuit*) (matériel déconnecté de l'alimentation)

i Choc d'entrée (*incoming surge*)

Figure 16 – Utilisation type de deux parafoudres – Schéma électrique

L'impédance Z entre les deux parafoudres (généralement une inductance) peut être physique (composant spécifique inséré dans la ligne pour faciliter la répartition de l'énergie entre les deux parafoudres), ou peut représenter l'inductance d'une longueur de câble entre les deux parafoudres (généralement, on considère $1 \mu\text{H}/\text{m}$). Lorsque Z représente une impédance physique, l'inductance de ligne peut être négligée à cause de sa faible valeur par rapport à Z . Z est alors représentée de manière schématique, comme sur la Figure 16 dans les deux cas.

NOTE 1 La Figure 14 montre le cas le plus défavorable lorsque le matériel n'est pas raccordé. Aucun courant ne circule donc dans ce matériel, et les deux parafoudres assument la totalité de la contrainte. Il convient qu'une considération complémentaire soit menée si le choc se produit entre les bornes du parafoudre et la charge.

NOTE 2 Dans cet exemple, on ne tient pas compte des câbles de raccordement. En pratique, ils peuvent avoir une influence sur la répartition de la contrainte entre les deux parafoudres.

NOTE 3 Si les conducteurs aller et retour sont étroitement couplés, la boucle d'induction est réduite et l'inductance spécifique est inférieure à 1 $\mu\text{H/m}$. Elle peut alors descendre jusqu'à 0,5 $\mu\text{H/m}$.

NOTE 4 La valeur de 1 $\mu\text{H/m}$ combine déjà l'inductance des conducteurs amont et aval.

6.2.6.2 Problèmes de coordination

Le problème de coordination peut être, en première approche, résumé par la question suivante: au cas où un choc d'entrée i est généré, quelle partie du courant i va circuler à travers le parafoudre n° 1 et quelle partie va circuler à travers le parafoudre n° 2? De plus, les deux parafoudres sont-ils capables de supporter ces contraintes?

Si la distance entre les deux parafoudres est faible par rapport à la durée du choc, l'effet d'inductance sera négligeable et le parafoudre n° 2 pourrait être soumis à de fortes contraintes.

Une bonne coordination est obtenue en choisissant des parafoudres appropriés qui réduisent la valeur de i_2 à un niveau acceptable, en tenant compte de l'impédance entre les deux parafoudres. Cette action réduira aussi, bien sûr, la tension résiduelle du deuxième parafoudre à la valeur souhaitée.

Une telle coordination est nécessaire pour éviter

- un surdimensionnement du parafoudre n° 2;
- quelques perturbations électromagnétiques pouvant poser des problèmes dans le bâtiment si i_2 était trop élevé.

Cependant, traiter le problème de la coordination en termes de courants n'est pas suffisant. Il est nécessaire de traiter ce problème en termes d'énergie.

Pour être sûr que les deux parafoudres sont bien coordonnés, il est alors nécessaire que l'exigence suivante, qui est appelée critère d'énergie, soit remplie.

La coordination en termes d'énergie est obtenue si, pour toutes les valeurs de courant de choc comprises entre 0 et $I_{\text{max}1}$ ($I_{\text{crête}1}$), la valeur d'énergie dissipée à travers le parafoudre n° 2 est inférieure ou égale à son énergie maximale admissible ($E_{\text{max}2}$).

Voir l'Annexe K pour de plus amples informations.

6.2.6.3 Cas pratiques

L'étude de la coordination peut être complexe. Si tous les parafoudres sont fournis par le même fabricant, il est plus facile de demander au fabricant les exigences éventuelles concernant la distance ou l'impédance entre les parafoudres sélectionnés pour une bonne coordination.

Dans les autres cas, il est nécessaire de faire une étude de coordination et quatre possibilités sont offertes.

- Effectuer un essai en appliquant un courant de choc de zéro à un courant correspondant à $E_{\text{max}1}$, à la fois à onde longue et onde courte, en tenant compte du fait que la tolérance sur les composants peut avoir une influence significative sur le résultat (ces essais sont à l'étude).
- Effectuer une simulation tenant compte des particularités concrètes de l'installation, en ayant présente à l'esprit la nécessité d'avoir des données précises sur les caractéristiques du parafoudre.

- Effectuer une étude analytique en comparant la courbe u/i des deux parafoudres, lorsqu'ils sont de type à limitation de tension.
- Utiliser une autre méthode appelée « énergie de non-fonctionnement » (LTE), qui donne un résultat satisfaisant dans la plupart des cas.

Les Annexes F et K donnent des explications complémentaires sur les phénomènes, les études analytiques et la méthode d'énergie de non-fonctionnement.

6.3 Caractéristiques des dispositifs auxiliaires

6.3.1 Dispositifs de déconnexion

Un déconnecteur simple peut être capable de réaliser les trois fonctions de base du déconnecteur (protection thermique, protection contre les courts-circuits et protection contre les contacts indirects) ou il peut être nécessaire d'utiliser jusqu'à trois déconnecteurs.

Ils peuvent être incorporés à l'intérieur du parafoudre ou lui être associés. Quelques fonctions peuvent être prises en compte par la protection de secours du système et peuvent ensuite être placées à une certaine distance du parafoudre. Le fait que les déconnecteurs soient dans le circuit du parafoudre ou en ligne dans l'installation dépend de la coordination avec d'autres dispositifs de protection contre les surintensités et de l'équilibre entre la nécessité de continuité de l'alimentation par rapport à la continuité de la protection (voir J.2).

D'autres fonctions du déconnecteur peuvent être nécessaires, par exemple dans le cas de surtensions temporaires très élevées.

Un déconnecteur peut être un fusible, un disjoncteur, un DDR ou un dispositif spécialement développé pour cette application.

6.3.2 Compteurs de chocs

Ce type de dispositif donne généralement des informations sur le nombre de chocs détectés et, quelquefois, leurs amplitudes et formes d'ondes. Les compteurs de chocs peuvent être utilisés pour déterminer la sévérité du site ou pour décider d'une politique de remplacement. Quelques compteurs perfectionnés donnent des indications statistiques comme la fréquence d'apparition, l'heure et la date, l'énergie impliquée, etc.

NOTE 1 Il convient que les utilisateurs sachent que si le niveau de seuil est trop bas, il y a un risque que les informations données par un tel dispositif puissent être erronées.

NOTE 2 Actuellement, il n'existe pas de norme CEI traitant de tels dispositifs.

6.3.3 Indicateur d'état

Ce dispositif est associé au déconnecteur pour informer l'utilisateur que le parafoudre est opérationnel ou ne fonctionne plus selon sa conception. Il peut être utilisé pour donner une indication de remplacement du parafoudre. Quelques indicateurs d'état sont proches et certains d'entre eux éloignés. Ils peuvent transmettre des alarmes électriques, visuelles ou sonores.

7 Analyse du risque

Deux types d'analyse du risque peuvent être menés: l'analyse de base est utilisée pour déterminer la nécessité d'utiliser un parafoudre. Le deuxième type a pour but de déterminer l'énergie admissible du parafoudre situé à l'entrée ou proche du matériel (l'énergie admissible des autres parafoudres éventuels est donnée par l'étude de la coordination entre les parafoudres) (voir Annexe L).

La décision d'utiliser ou non un parafoudre dépend d'une grande variété de paramètres que l'utilisateur doit analyser. Les paramètres qu'il convient de prendre en compte sont précisés en Annexe L. Si l'utilisation d'un parafoudre est décidée, il convient alors de choisir le niveau d'exposition pour déterminer la classification et l'emplacement des parafoudres à spécifier.

Une méthode d'évaluation du risque dans le cas de surtensions de foudre est décrite dans la CEI 62305-2. Dans certaines situations, des méthodes simplifiées, basées sur la CEI 62305-2, par exemple celle décrite dans la CEI 60364-4-44, peuvent être utilisées, voir Annexe H.

NOTE Lorsqu'une analyse structurelle complète est nécessaire, en particulier en tenant compte non seulement des lignes à l'arrivée mais aussi de la structure elle-même et de son contenu, il est recommandé d'utiliser la CEI 62305-2.

Annexe A (informative)

Informations types sur les enquêtes, appels d'offre et explication des procédures d'essai

A.1 Informations données avec les enquêtes

A.1.1 Données du réseau

- U_0 , U_{CS}
- fréquence
- surtensions temporaires U_{TOV}
- niveau d'isolation du matériel (ou immunité aux chocs du matériel critique) à protéger

NOTE Il convient que l'utilisateur sache que la force de la tenue à l'isolation peut varier avec la montée et la durée de la surtension. Par exemple, les dispositifs qui peuvent tenir les chocs à 4 kV 1,2/50 ne peuvent tenir que 1 kV pour les ondes plus longues.

- courant de court-circuit du réseau à l'emplacement du parafoudre
- type de schéma de distribution (IT, TT, TN, etc.)

A.1.2 Considérations sur le fonctionnement du parafoudre

a) Connexion

phase-terre
neutre-terre
phase-neutre
phase-phase

b) Type de matériel à protéger

transformateurs
machines électriques
dispositifs comprenant de l'électronique
autres matériels
câbles (type et longueur), etc.

c) Longueur maximale du conducteur entre le parafoudre et le matériel à protéger (distance de protection)

NOTE Il convient que cette distance soit aussi courte que possible.

d) Longueur maximale (longueur de câble) des conducteurs depuis les bornes de parafoudre en considérant les connexions entre le parafoudre et tous les conducteurs (phase, neutre, terre).

A.1.3 Caractéristiques du parafoudre

- tension maximale de régime permanent U_c
- niveau de protection en tension U_p
- caractéristiques d'essai: classe I, II ou III
- tenue au courant de court-circuit en cas de défaillance du parafoudre
- environnement de l'installation du parafoudre (extérieur, intérieur, etc.)
- nombre d'accès

- degré de protection procuré par l'enveloppe (code IP)
- courant nominal de décharge I_n (essais de classes I et II)
- courant de charge maximal permanent (si nécessaire)
- I_{imp} , I_{max} ou U_{oc} (respectivement essais de classes I, II et III)
- caractéristiques de surtension temporaire
- mode de défaillance

et en plus pour les parafoudres à deux accès:

- courant de charge maximal permanent I_L (si exigé)
- chute de tension en pour-cent

A.1.4 Matériels complémentaires et fixations

- type de montage
- orientation du montage
- déconnecteur du parafoudre si nécessaire
- sections des fils de connexion

A.1.5 Toutes autres conditions anormales

Par exemple: fonctionnement très fréquent.

A.2 Informations pour les appels d'offre

Tous les points de A.1.4 et A.1.5.

En plus, selon la technologie:

- caractéristiques de surtension temporaire
- tension résiduelle en fonction du courant
- possibilités de montage, gabarit de perçage, base isolante, serrage
- type de bornes des parafoudres et taille des conducteurs acceptée
- dimensions et poids

A.3 Explication sur les procédures d'essai utilisées dans la CEI 61643-1

A.3.1 Détermination de U_{res} pour les parafoudres soumis aux essais selon les essais de classes I et II

La tension résiduelle est mesurée à 0,1, 0,2, 0,5, 1,0 fois I_n pour les deux polarités à l'aide d'un générateur combiné 8/20. Enfin, au moins un choc à I_{max} ou $I_{crête}$ (si I_{max} ou $I_{crête}$ est supérieur à I_n) est appliqué au parafoudre à la polarité qui montre des tensions résiduelles plus élevées dans l'essai précédent.

La première séquence est effectuée à une polarité, puis la seconde à la polarité opposée, afin de vérifier s'il n'y a pas de détérioration du parafoudre.

La forme d'onde est toujours 8/20, que ce soit pour la classe I ou pour la classe II, car elle est utilisée en tant que valeur comparative. Elle est utilisée pour choisir un parafoudre en comparant ses caractéristiques de protection à la tension de tenue aux chocs du matériel à protéger. La forme d'onde typique pour soumettre aux essais les parafoudres de classe I est I_{imp} définie par $I_{crête}$ et Q , mais cette forme d'onde n'est pas très différente de 8/20 en termes de pente de montée à l'origine du courant. La forme d'onde 8/20 est par conséquent utilisée

pour obtenir une base commune pour comparer les caractéristiques de protection des parafoudres.

Plusieurs valeurs sont utilisées entre $0,1 \times I_n$ et I_n , car il est nécessaire de trouver le point aveugle susceptible de se produire (un point aveugle étant le cas où une valeur plus faible de courant donne une tension résiduelle plus élevée). Il est important de noter que la tension résiduelle à I_n est une valeur conventionnelle qui ne peut pas être la valeur la plus élevée (par exemple, si le parafoudre a un point aveugle).

La valeur de U_p notée sur le marquage n'est pas suffisante pour élaborer la coordination d'isolation et la coordination entre les parafoudres. La courbe ou le tableau des tensions résiduelles doit être fourni(e) par le fabricant dans sa documentation technique.

Des mesures suffisantes (au moins une) sont effectuées entre I_n et I_{\max} ou $I_{\text{crête}}$, de façon à obtenir une courbe de tension résiduelle jusqu'à I_{\max} ou $I_{\text{crête}}$ avec suffisamment de points.

A.3.2 Forme d'onde de choc pour la détermination de U_{res}

La forme d'onde 8/20 utilisée pour soumettre aux essais les parafoudres à un accès a un dépassement de courant admissible de 5 %. Ce dépassement n'aura pas d'incidence sur U_{res} donnée par un parafoudre à un accès.

Dans le cas d'un parafoudre à deux accès, il est habituel d'avoir une impédance en série, telle qu'une inductance de découplage. De plus, un condensateur shunt peut être placé à côté de l'inductance du matériel pour réaliser un effet de filtre passe-bas. Dans de tels cas, une onde de choc avec dépassement modifiera d'une façon significative U_{res} , selon l'amplitude du dépassement. C'est la raison pour laquelle le dépassement autorisé lors d'un essai de parafoudres à deux accès est réduit à 5 %.

A.3.3 Influence d'un filtre de retour sur la détermination de U_{res}

Lorsqu'un filtre de retour est utilisé pour des dispositifs à deux accès, une interaction peut survenir, altérant la mesure U_{res} observée, et peut produire un résultat erroné.

Un dispositif à deux accès avec filtre passe-bas produira U_{res} crête un moment après la fin de l'application du choc. De la même façon, le filtre de retour réagira et renverra l'énergie stockée à la fin du choc. La forme d'onde et l'amplitude de la tension crête qui en résulte dépendent des paramètres du filtre de retour et du dispositif en essai.

Afin de déterminer le cas le plus défavorable de la valeur de U_{res} , il convient d'appliquer l'essai de choc à la valeur maximale de l'alimentation alternative, et qu'il ait la même polarité. A cet instant, tous les composants du dispositif en essai sont à U_{\max} . La valeur U_{res} sera alors la somme de U_{\max} et de la tension différentielle due au choc appliqué. Cette valeur peut être déterminée en appliquant une tension continue par une diode conductrice qui est égale à U_{\max} . Le choc d'essai est appliqué entre la diode et le dispositif à deux accès. Selon la conception du dispositif à deux accès, il peut s'avérer nécessaire de fournir une source de tension alternative pour la mise sous tension interne ou pour des diagnostics électroniques.

NOTE L'essai n'est pas approprié à des parafoudres ayant un transformateur d'isolement incorporé.

A.3.4 Essai de fonctionnement pour les parafoudres

La séquence d'essais se compose d'un essai de préconditionnement et de l'essai de fonctionnement. Le préconditionnement est effectué afin de s'assurer qu'il n'y a aucune modification inacceptable des caractéristiques du dispositif due aux contraintes de choc. L'essai de fonctionnement est effectué afin d'assurer la stabilité thermique du dispositif dans des conditions de service.

Pour les essais de classes I et II, la sévérité de l'essai dépend de l'amplitude de I_{imp} (respectivement I_{max}) et du rapport entre I_n et I_{imp} (respectivement I_{max}). A une valeur de I_{imp} donnée (respectivement I_{max}), plus ce rapport est élevé, plus la sévérité est importante. Pour les essais de classe III, la sévérité est directement liée à U_{oc} .

L'essai de préconditionnement est réalisé avec 15 chocs 8/20 à un courant de décharge nominal pour simuler les contraintes minimales prévues pendant la durée de vie du parafoudre.

L'essai de préconditionnement pour les essais de classe III est le même que pour les essais de classes I et II, sauf que le courant nominal de décharge est remplacé par U_{oc} , tel que déclaré par le fabricant, et un générateur combiné est utilisé. Le préconditionnement est réalisé sous U_C . La synchronisation entre chaque choc et l'alimentation 50/60 Hz est avancée de 30° après chaque choc. Le premier choc commence à zéro degré. La raison est que des parafoudres tels que les éclateurs sont sensibles à cet angle, particulièrement en ce qui concerne le courant de suite. Pour les essais de classe III, un couplage approprié est nécessaire, en fonction de la construction du générateur et de la valeur de U_C à appliquer, afin d'éviter un passage de courant à fréquence industrielle dans le générateur.

Les 15 chocs sont appliqués en 3 groupes de 5 chocs. Un temps suffisant est respecté entre chaque groupe (30 min), pour permettre le refroidissement de l'échantillon.

Après ce préconditionnement, un choc complémentaire est appliqué à chacun des niveaux de courants suivants: 0,1 I_{imp} (respectivement I_{max}), 0,25 I_{imp} (respectivement I_{max}), 0,5 I_{imp} (respectivement I_{max}), 0,75 I_{imp} (respectivement I_{max}) et I_{imp} (respectivement I_{max}), de façon à trouver un éventuel point aveugle. Un refroidissement est respecté entre chaque choc. Un point aveugle correspond à une valeur de courant plus faible que I_{imp} (respectivement I_{max}), pouvant créer une défaillance du parafoudre alors que le parafoudre fonctionne correctement à I_{imp} (respectivement I_{max}). Un exemple typique est celui d'une varistance ZnO en parallèle avec un éclateur. Si l'éclateur ne s'amorce pas, la charge totale est appliquée sur la varistance. Cette varistance peut ne pas être capable de résister à la même contrainte que l'éclateur et peut subir une défaillance.

L'essai de fonctionnement pour les essais de classe III utilise un générateur combiné avec la tension à U_{oc} .

A.3.5 Essai de défaillance des surtensions temporaires

Il s'agit d'un essai facultatif, effectué uniquement si le fabricant demande la conformité à cet essai. Cet essai est conçu pour fournir des informations sur le mode de défaillance du parafoudre lorsqu'une surtension temporaire due à un défaut dans le réseau HT se produit. Cet essai ne s'applique qu'aux parafoudres destinés à être utilisés dans des schémas TT ou IT, et ne s'applique pas aux parafoudres connectés uniquement entre phase et neutre ou entre phases. Les conditions de surtensions temporaires sont décrites dans le Tableau 1.

NOTE Bien que cet essai soit facultatif conformément à la CEI 61643-1, les règles d'application données dans la CEI 60364-5-53 exigent qu'il est nécessaire de réaliser cet essai.

Le parafoudre est enfermé dans une boîte en bois cubique. Le générateur d'essai délivrera une surtension temporaire pendant une durée de 200 ms. La durée est limitée à 200 ms pour simuler le temps d'élimination du défaut. Le courant de court-circuit maximal admissible du générateur est fixé sur 300 A pour simuler le courant de court-circuit en se basant sur des situations typiques. Après l'essai, le parafoudre peut être en mauvais état, mais sans causer de dangers.

A.3.6 Différences dans les conditions d'essai des parafoudres de type 1 (classe d'essais I), de type 2 (classe d'essais II) et de type 3 (classe d'essais III)

L'essai de classe I est prévu pour simuler des courants de chocs de foudre partiellement conduits. Les parafoudres soumis aux essais de classe I sont généralement recommandés

pour les emplacements d'exposition élevée aux courants de choc, conjointement avec des systèmes de protection contre la foudre. Ces parafoudres sont utilisés pour la liaison équipotentielle entre le système de protection contre la foudre et les lignes de puissance. Le courant de choc des essais de classe I a une durée bien plus longue que pour les essais de classe II ou de classe III.

Les essais de classes II et III simulent des surtensions induites, des surtensions conduites directement par la foudre à distance et des surtensions de coupure. Les parafoudres soumis aux essais conformément à la classe II ou à la classe III ne sont pas conçus pour la liaison équipotentielle avec un système de protection contre la foudre.

Pour les essais de classes I et II, une valeur de courant spécifique est introduite dans le parafoudre. Pour les essais de classe III, le courant circulant dans le parafoudre dépendra des caractéristiques du parafoudre.

L'essai de classe III est défini par une tension en circuit ouvert du générateur U_{oc} . Le courant de court-circuit du générateur (I_{sc}) est déterminé par U_{oc} et par l'impédance du générateur de 2Ω . L'impédance du générateur simule l'impédance de l'installation. Le niveau de courant maximal pour les essais de classe III est de 10kA, les études ayant montré que la rupture de la tension d'isolement à l'entrée de l'installation limitera les surtensions pénétrant dans l'installation. Ces parafoudres seront généralement installés à l'intérieur d'une installation. Pour les essais de classe III, le courant circulant dans le parafoudre pourrait être inférieur au courant de court-circuit I_{sc} au cours de cet essai, dans la mesure où le parafoudre peut avoir une caractéristique différente d'un court-circuit.

A.3.7 Essai de tenue aux courts-circuits avec protection (éventuelle) contre les surintensités

Cet essai fournit des informations pour savoir si, en cas de défaillance du parafoudre, les connexions internes peuvent résister au courant de court-circuit sans provoquer de risques d'incendie, d'explosion ou de chocs électriques.

La valeur du courant de tenue aux courts-circuits est donnée par le fabricant.

L'objet de cet essai est de vérifier le comportement des connexions internes du parafoudre. Pour y parvenir, les éléments de protection (varistances à oxyde métallique, tubes à décharge, éclateurs, ...) sont remplacés par des éléments fictifs adéquats (par exemple, blocs de cuivre) de dimensions similaires à celles des composants d'origine, afin d'assurer des conditions similaires à celles de la conception d'origine. Dans le cas de parafoudres ayant des éléments de protection connectés en parallèle, un nombre d'essais de court-circuit égal au nombre des différents chemins de courant parallèles est alors effectué. Chaque chemin de courant différent est soumis aux essais avec ses éléments de protection court-circuités comme indiqué ci-dessus. Ceci est réalisé afin de simuler toutes les conditions possibles de défaillances, pour lesquelles un nombre limité de composants peut subir une défaillance.

Le courant de court-circuit doit être interrompu en l'espace de 5 s. Cette durée de 5 s est choisie pour être représentative de la durée maximale de coupure du défaut.

Annexe B (informative)

Exemples de relation entre U_c et la tension nominale utilisée dans certains réseaux, et exemples de relation entre U_p et U_c pour une varistance ZnO

B.1 Relation entre U_c et la tension nominale du réseau

Tableau B.1 – Relation entre U_c et la tension nominale du réseau

Tension nominale du réseau selon la CEI 60664-1		Exemples de valeurs de U_c d'après les valeurs données dans la CEI 60364-5-53			
Réseau triphasé à quatre fils, neutre à la terre	Réseau triphasé à trois ou quatre fils, non mis à la terre	U_c min. pour un parafoudre installé entre phase et PE ou PEN dans le cas de schémas TN ^a ou entre phase et neutre dans le cas de schémas TT ^a	U_c min. pour un parafoudre installé entre phase et terre ou neutre et terre dans le cas de schémas TT ^a	U_c min. pour un parafoudre installé entre phase et terre ou neutre et terre dans le cas de schémas IT	U_c min. pour un parafoudre installé entre phase et phase dans le cas de schémas TT, TN ou IT
Schémas TT et TN	Schéma IT	Cas où la régulation de tension est égale à 10 %	Cas où une valeur de $1,5 \times U_0$ a été utilisée	Cas où une valeur de $\sqrt{3} \times U_0$ a été utilisée	Cas où la régulation de tension est égale à 10 %
V	V	V	V	V	V
120/208		132	180		229
127/220	220	140	191	220	242
	230, 240			240	264
	260, 277, 347			347	382
220/380, 230/400	380,400	253	345	400	440
240/415, 260/440	415	286	390	415	484
277/480	440, 480	305	416	480	528

^a Des valeurs supérieures peuvent être nécessaires dans certaines conditions (par exemple, la perte de neutre dans les schémas TT).

B.2 Relation entre U_p et U_c pour une varistance ZnO

Le rapport U_p/U_c est un paramètre intéressant pour caractériser un parafoudre. Ce rapport dépend du composant utilisé. Le tableau B.2 ci-dessous donne des valeurs typiques du rapport U_p/U_c pour des varistances ZnO qui varient en fonction de la taille du composant et du courant appliqué I_n .

Tableau B.2 – Relation entre U_p et U_c pour des varistances ZnO

I_n (8/20) kA	Diamètre mm	U_p/U_c pour ZnO
1	14	3,3
2,5	20	3,8
5	32	4,1
10	40	4,6
20	60	4,6

Des rapports plus bas et plus hauts peuvent être obtenus à partir d'autres technologies. Les fabricants peuvent fournir le rapport de leurs produits particuliers.

NOTE D'autres paramètres, tels que la tenue aux chocs, varient aussi avec la technologie.

Annexe C (informative)

Environnement – Tensions de chocs dans les réseaux BT

C.1 Généralités

Les surtensions apparaissent dans les réseaux à basse tension comme la résultante de trois types d'événements:

- un phénomène naturel tel qu'un impact de foudre direct sur l'installation ou induction de surtensions par impact sur d'autres objets;
- des actions intentionnelles sur l'installation, telles que l'interruption en charge ou du condensateur dans les réseaux de transmission ou de distribution par le service responsable, ou dans le réseau basse tension par des opérations d'utilisateurs finaux;
- des événements non intentionnels tels que défauts de l'alimentation et leur élimination, ou couplage entre différents réseaux, comme par exemple interactions entre alimentations et réseaux de signalisation/communication.

Les surtensions considérées dans la présente norme sont celles dépassant deux fois la tension de fonctionnement crête (deux par unité ou 2 p.u.) et ayant une durée comprise entre une fraction de microseconde et une milliseconde. Les surtensions inférieures à deux par unité ne sont pas considérées ici, ni les transitoires de plus longue durée résultant du fonctionnement du matériel de puissance et de modes de défaillance. Dans la mesure où de telles surtensions de faible amplitude et de longue durée ne sont généralement pas sujettes à la suppression par des parafoudres conventionnels, ils nécessitent des techniques de protection différentes de celles exposées dans la présente norme.

La présente annexe présente et résume des informations importantes relatives aux tensions de choc dans les réseaux basse tension d'après la CEI TR 62066, afin de faciliter l'utilisation de la présente norme.

C.2 Surtensions de foudre

La foudre est un phénomène inévitable qui affecte les réseaux basse tension (alimentations ainsi que réseaux de signalisation/communication) à travers plusieurs mécanismes. L'interaction évidente est un impact direct sur le réseau, mais d'autres mécanismes de couplage peuvent aussi créer des surtensions dans les réseaux. Trois types de mécanismes de couplage seront analysés, susceptibles de produire des surtensions dans les réseaux basse tension. Tout en se référant aux «surtensions», il faudra considérer que le courant associé aux surtensions, ou le courant qui est initialement à l'origine de la surtension est un aspect important concernant ce sujet. Les trois types sont les suivants.

- a) Le coup de foudre direct sur l'alimentation, qui peut se produire au primaire du transformateur de distribution MT/BT, sur le réseau de distribution BT (aérien ou souterrain) et sur les différents services des bâtiments individuels.
- b) Coup de foudre indirect sur des objets à proximité, qui peut produire des surtensions dans le système de distribution BT par couplage inductif ou par couplage commun. Si les surtensions et courants de choc résultant de ces impacts peuvent être moins sévères que ceux associés à un coup de foudre direct, leur fréquence est beaucoup plus élevée.
- c) Les impacts directs sur les systèmes de protection contre la foudre ou sur des éléments extérieurs des bâtiments (structure en acier, composants non électriques tels que canalisations d'eau, chauffage et climatisation, gaines d'ascenseurs, etc). Ces impacts ont deux sortes d'effets: un couplage inductif venant de courants de foudre conduits par des éléments extérieurs et l'injection de courant de foudre du bâtiment vers l'installation BT, rendant nécessaire la mise en œuvre de parafoudres entre les conducteurs BT et la terre

locale ou la liaison équipotentielle ainsi appelée de l'installation. Pour un impact donné, la sévérité de la surtension apparaissant dans l'installation de l'utilisateur final correspond aux caractéristiques du cheminement du couplage, telles que la distance et la nature du réseau entre le point d'impact et l'installation de l'utilisateur final, les mises à la terre et l'impédance de mise à la terre, la présence de parafoudres le long du cheminement et le branchement hors du système de distribution.

C.2.1 Surtensions transmises du réseau MT au réseau BT

Les surtensions générées dans le réseau MT par la foudre sont transmises au réseau de distribution BT de deux manières différentes:

- par couplage capacitif et inductif à travers le transformateur MT/BT;
- par couplage à la terre.

L'amplitude de choc transmise dépend de plusieurs paramètres, tels que:

- l'installation de mise à la terre BT (TT, TN, IT);
- les caractéristiques de la ligne BT et de la charge BT;
- les dispositifs de protection contre les surtensions BT;
- les conditions de couplage entre la mise à la terre MT et BT;
- la conception du transformateur.

Dans le cas de coups de foudre directs sur la ligne MT, le fonctionnement du parafoudre ou un amorçage de l'isolateur détourne le courant de choc dans le système de mise à la terre et peut produire un couplage à la terre résistif entre les réseaux MT et BT et une surtension est transmise au réseau BT. En fonction des valeurs d'impédance de mise à la terre, cette surtension de couplage à la terre peut être bien supérieure à celle du couplage capacitif à travers le transformateur.

Dans un schéma TN, si le neutre est également mis à la terre au niveau de l'installation de l'utilisateur, des surtensions plus faibles se produiront. Il convient aussi de noter que ce type de couplage résistif peut être évité en utilisant un système de mise à la terre distinct pour la partie BT du transformateur.

Une valeur type de la surtension transmise par couplage capacitif et inductif au secondaire du transformateur MT/BT est égale à 2 % de la tension phase-terre MT entre les conducteurs de phase et de neutre et à 8 % entre le conducteur de phase et la terre. Ces valeurs sont des valeurs types pour un circuit BT en charge. Lorsque le côté BT du transformateur est ouvert, ou chargé très légèrement, les valeurs peuvent être significativement supérieures, en fonction du réseau BT.

Les surtensions de foudre induites sur le réseau MT produisent un courant de choc bien inférieur (généralement inférieur à 1 kA) que les impacts directs, et les surtensions sont en pratique transmises au réseau BT uniquement par couplage capacitif et ne dépassent pas quelques kilovolts. Dans de tels cas, la surtension induite directement dans le réseau BT (au moins dans la partie qui n'est pas éloignée du point d'impact de foudre) est en général supérieure à celle transmise du côté MT. Si un parafoudre fonctionne ou si un amorçage se produit, le courant sera faible et le couplage résistif est en conséquence négligeable.

C.2.2 Surtensions dues à des coups de foudre directs sur les réseaux de distribution BT

L'impédance réelle du canal de foudre est élevée et, de ce fait, le courant de foudre peut être pratiquement considéré comme une source de courant idéale. Les surtensions produites sont donc déterminées par l'impédance réelle momentanée vue par le courant de foudre.

Pour un impact sur le réseau, les tensions sont en premier lieu déterminées par l'impédance caractéristique (impédance de choc) du réseau. Le courant (I) est initialement divisé en deux parties et les chocs de tension (U) générés sont:

$$U = Z \times I/2$$

où:

U est la tension de choc;

Z est l'impédance de choc du réseau;

I est le courant de choc.

Si un courant modéré de 10 kA et une impédance de choc de 400 Ω sont estimés, on remarque que la tension de choc présumée est de 2 000 kV. Sur un réseau basse tension, des amorçages apparaissent par conséquent généralement entre tous les conducteurs du réseau et, dans la plupart des cas, aussi avec la terre. Après amorçage, l'impédance réelle est réduite, particulièrement en fonction des résistances de terre concernées. Cependant, même pour une impédance réelle plutôt faible, par exemple 10 Ω , la tension sera de 100 kV sur le réseau pour un exemple de courant de foudre présumé de 10 kA.

Pour un réseau combiné aérien/souterrain, les surtensions seront quelque peu réduites en raison d'une impédance de choc plus faible des câbles par rapport aux réseaux aériens. La quantité de réduction dépend de la durée du courant et de la capacité totale vis-à-vis de la terre du réseau. Toutefois, cette réduction n'est généralement pas suffisante pour éviter des surtensions dépassant des niveaux normaux d'isolement dans des réseaux basse tension. De ce fait, il convient que des coups de foudre directs soient généralement considérés comme susceptibles de causer des dommages dans de tels réseaux.

C.2.3 Surtensions induites dans les réseaux de distribution BT

En raison des variations du champ électromagnétique lors d'un coup de foudre, des surtensions sont induites dans des lignes aériennes, quel que soit leur type, même à une distance considérable de l'impact. Une approximation grossière des surtensions (U) susceptibles de se produire sur le réseau peut être estimée par l'équation suivante:

$$U = 30 \times k \times (hd) \times I$$

où:

I est le courant de foudre;

h est la hauteur des conducteurs au-dessus du sol;

k est un facteur dépendant de la rapidité de l'impact de retour du canal de foudre;

d est la distance depuis le point d'impact.

La variation du paramètre k est faible (1,0 à 1,3).

Pour un courant de foudre moyen de 30 kA et pour un réseau situé à 5 m au-dessus du sol, la tension dépassera 5 kV pour des impacts d'une distance de 1 km. Un courant de 100 kA produira une tension présumée de 1,8 kV même à une distance de 10 km dans un tel cas.

C.2.4 Surtensions causées par des impacts sur des systèmes de protection contre la foudre ou sur une zone à proximité immédiate

Lorsque la foudre frappe une structure, qui est l'une des plusieurs alimentées en parallèle par un réseau BT, la circulation d'un courant de foudre vers la terre se divise entre les différents chemins disponibles. Ces derniers comprennent la terre locale (mise à la terre des bâtiments), ainsi que les points de mise à la terre distants à travers tous les circuits métalliques, principalement le câble d'alimentation.

Le courant de choc injecté circule du dispositif de capture du système de protection contre la foudre au réseau de raccordement à la terre, en passant par le conducteur de descente. A ce point, le courant de foudre se divise en au moins deux composants, un composant circulant

dans la terre locale du bâtiment, et l'autre circulant dans le câble d'alimentation en direction de la terre distante (le courant peut également suivre d'autres trajets, tels que des canalisations métalliques et d'autres services conducteurs). Ces courants se divisent selon le rapport inverse des impédances. Dans la phase initiale du courant de choc, la répartition du courant est déterminée par le rapport des inductances. Dans la phase finale, où la vitesse de variation du courant est faible, la répartition est déterminée par le rapport des résistances.

Avec plusieurs bâtiments reliés électriquement, la résistance efficace diminue, ce qui signifie que la partie du courant de foudre qui circule du bâtiment frappé par la foudre au réseau BT augmentera lorsque plus de bâtiments sont reliés dans la chaîne.

Différentes pratiques relatives à la mise à la terre du neutre sont rencontrées dans différents pays, de telle sorte que certaines différences peuvent être attendues concernant la manière dont le courant de foudre se répartira parmi les chemins disponibles. Il convient que les concepteurs de réseaux tiennent compte de ces différences.

La dispersion du courant dans les chemins disponibles produira des surtensions, principalement entre les conducteurs et la terre locale. En fonction de la configuration de l'installation BT et de la présence ou de l'absence des parafoudres, ces surtensions peuvent être importantes ou modérées. Les résultats correspondent fondamentalement aux indications précédentes et montrent l'effet bénéfique d'une meilleure mise à la terre du neutre à l'entrée de l'installation et le rôle de la prise en compte des effets du couplage résistif, inductif et mutuel.

Il convient de noter que l'augmentation du potentiel de terre résultant d'un impact direct sur un bâtiment ou une structure dépasse normalement le niveau d'isolation de l'installation basse tension et produit par conséquent des amorçages et des surtensions qui se propagent à des bâtiments (installations) adjacent(e)s relié(e)s au même réseau de distribution basse tension, à moins que des parafoudres de liaison équipotentielle ne soient installés.

Par conséquent, même un bâtiment non frappé par un coup de foudre peut être exposé à des surtensions en raison de la propagation le long du réseau de distribution. De plus, pour une densité de foudroiement donnée dans la zone, la présence d'un bâtiment de hauteur importante accroît la probabilité de surtensions conduites, bien que ceci réduise la probabilité d'impacts directs sur des bâtiments plus petits à proximité.

Les surtensions entre les conducteurs et la terre locale imposent des contraintes sur l'isolation des matériels raccordés, qui ont généralement des niveaux de tenue suffisants, conformément aux recommandations de la CEI 60664-1, tandis que les composants du matériel de puissance sont soumis à des contraintes par les surtensions apparaissant entre les conducteurs. A première vue, on pourrait justifier le fait que la situation la plus menaçante serait celle où les surtensions sont appliquées aux composants du matériel de puissance. Cependant, les surtensions à la terre peuvent devenir un problème, pas tant pour l'isolation du matériel de puissance, mais à la suite de décalages des potentiels de référence entre le réseau et le système de communication pouvant être relié au matériel.

C.3 Surtensions de coupure

Ces contraintes, en termes de courant, de tension et de durée, sont ordinairement plus faibles que les coups de foudre. Cependant, dans certains cas, particulièrement profondément à l'intérieur d'une structure ou à proximité de surtensions de coupure, les contraintes de coupure peuvent être plus élevées que celles provoquées par la foudre. Il est nécessaire de connaître l'énergie de ces surtensions de coupure pour choisir les parafoudres appropriés. La durée dans le temps des surtensions de coupure, incluant des transitoires dus à des défauts et des fonctionnements de fusibles, peut être beaucoup plus longue que la durée du coup de foudre.

Généralement, une surtension de coupure, un défaut, une interruption, etc, dans une installation électrique, est suivi(e) par un phénomène transitoire susceptible d'induire des surtensions. La variation soudaine dans un réseau peut induire des oscillations amorties à haute fréquence (déterminées par des fréquences de résonance du réseau) jusqu'à retour de l'équilibre du réseau.

L'amplitude des surtensions de coupure dépend de nombreux paramètres, par exemple le type de circuit, le type de coupure (fermeture, ouverture, nouveau coup de foudre), les charges, le disjoncteur ou le fusible.

Les fréquences des oscillations lors des coupures sont déterminées par les caractéristiques du réseau et un phénomène de résonance peut apparaître de temps en temps. Dans de tels cas, des surtensions très élevées peuvent se produire. La probabilité de résonance avec les harmoniques de la fréquence de distribution du réseau est généralement faible. Cependant, si la fréquence caractéristique d'une partie commutée d'un réseau est à proximité d'une ou de plusieurs fréquences de résonance du reste du réseau, une résonance transitoire peut alors se produire.

C.3.1 Description générale

La forme typique des surtensions de coupure est déterminée par la réponse de l'installation basse tension. Ceci entraîne, dans la plupart des cas, une onde en boucle. La fréquence est en principe de l'ordre de plusieurs centaines de kilohertz par microseconde. Le taux maximal de l'onde est généralement de l'ordre de quelques kilovolts par microseconde. La durée des chocs se fait sur une plus grande période de temps. Si des surtensions de coupure dues à un fonctionnement de fusibles sont exclues, la durée typique (temps à mi-valeur) est de 1 μ s à 50 μ s. Une estimation statistique montre que l'amplitude et la probabilité d'apparition des chocs d'une durée plus longue (supérieure à 100 μ s) sont faibles.

C.3.2 Manœuvres de disjoncteurs et d'interrupteurs

Les disjoncteurs et interrupteurs sont largement utilisés dans chaque installation, soit pour la protection des matériels électriques contre les surcharges ou les courts-circuits, soit pour la commande de matériels par ouverture et fermeture. La fréquence de coupure dépend du champ d'application avec des taux plus élevés dans les sites industriels et des taux relativement plus faibles pour des applications domestiques.

Les courants commutés, en cas de charges ohmiques, sont du même ordre que les courants assignés des matériels. Toutefois, pour des matériels à alimentation automatique, les courants commutés sont beaucoup plus élevés que le courant assigné. Par exemple, pour un récepteur de télévision de 100 W, le courant assigné est de 0,4 A, tandis que le courant d'appel est approximativement de 20 A, soit 50 fois plus élevé.

L'appareillage mécanique déclenché soit manuellement, soit par fonctionnement électromécanique, produit un arc électrique pendant chaque coupure. Une oscillation à haute fréquence est générée par la variation soudaine de tension associée aux inductances et capacités de l'environnement de l'interrupteur. Cette oscillation est superposée à la tension entre les conducteurs de phase et entre un conducteur de phase et la terre, et la tension totale contraint l'isolation des matériels électriques à des éléments conducteurs exposés et à d'autres circuits. Contrairement aux surtensions transitoires transmises par le réseau de distribution publique vers l'installation de l'utilisateur, les transitoires de coupure induits à l'intérieur de l'installation de l'utilisateur par des disjoncteurs et des interrupteurs affectent les matériels électriques sans atténuation significative, et de ce fait l'amplitude de ces transitoires est relativement élevée.

C.3.2.1 Manœuvres de disjoncteurs et d'interrupteurs dans les installations d'utilisateur

Généralement, des amplitudes plus élevées sont générées en fermant le dispositif plutôt qu'en l'ouvrant. Pendant la fermeture, la surtension de coupure sur la charge a une amplitude

et une énergie plus élevées que sur le côté de l'installation. Cependant, ceci est principalement un problème lié à la conception de ce type de matériels, particulièrement pour ce qui est de leur isolation. Si d'autres matériels sont connectés en parallèle, ils seront aussi soumis à des contraintes. La surtension côté installation a une plus grande importance pour toute l'installation et les matériels qui lui sont connectés que pour le côté charge.

C.3.2.2 Manœuvres de disjoncteurs et d'interrupteurs dans le réseau de distribution (HT et BT)

Les surtensions transitoires contraignant les matériels électriques peuvent être observées dans chaque réseau de distribution. Dans les réseaux souterrains, presque tous les transitoires sont générés par un appareillage électromécanique de sources similaires.

Dans les installations à haute et basse tension, la coupure d'inductances telles que transformateurs, bobines d'impédance, contacteurs de bobines et relais installés en parallèle avec la source d'alimentation, peut causer des surtensions de coupure avec des amplitudes pouvant atteindre plusieurs kilovolts. Le même phénomène existe dans le cas de coupures d'inductances longitudinales telles que boucles de conducteurs et impédances longitudinales de bobines, ou même par ouverture de l'alimentation associée aux inductances propres de câblage.

Côté alimentation, les surtensions de coupure peuvent aussi être dues au fonctionnement de commandes à portes, aux arcs de frottement de moteurs à contacts glissants, aux pertes soudaines de charges brutales de machines électriques ou de transformateurs et au fonctionnement d'unités de condensateurs utilisées pour la correction du facteur de puissance.

La fréquence et l'énergie de surtensions de ce type peuvent, dans de rares occasions, être nettement plus élevées que celles d'origine atmosphérique quand on considère leur influence sur les installations à basse tension.

Les surtensions transitoires dues à des coupures dans l'alimentation basse tension peuvent atteindre des amplitudes de plusieurs kilovolts, bien que l'on puisse supposer que les valeurs maximales soient limitées par certaines conditions lors de manœuvres sur le réseau basse tension. Pour ces réseaux où sont mis en œuvre des dispositifs de protection contre les surtensions, on peut s'attendre à ce qu'une amplitude maximale de 6 kV ne soit pas dépassée dans l'installation basse tension de l'utilisateur.

Un autre phénomène comparable aux surtensions de coupure est l'apparition de courts-circuits et de défauts à la terre dans le réseau de distribution haute tension. Les défauts à la terre peuvent induire une surtension phase-terre dans les conducteurs de phase non en défaut, d'une valeur de la tension entre phases. De plus, dans de tels cas, des surtensions transitoires peuvent également se produire. De tels transitoires sont transmis depuis le réseau haute tension vers le réseau basse tension.

C.3.3 Fonctionnements des fusibles (fusibles à courant limité)

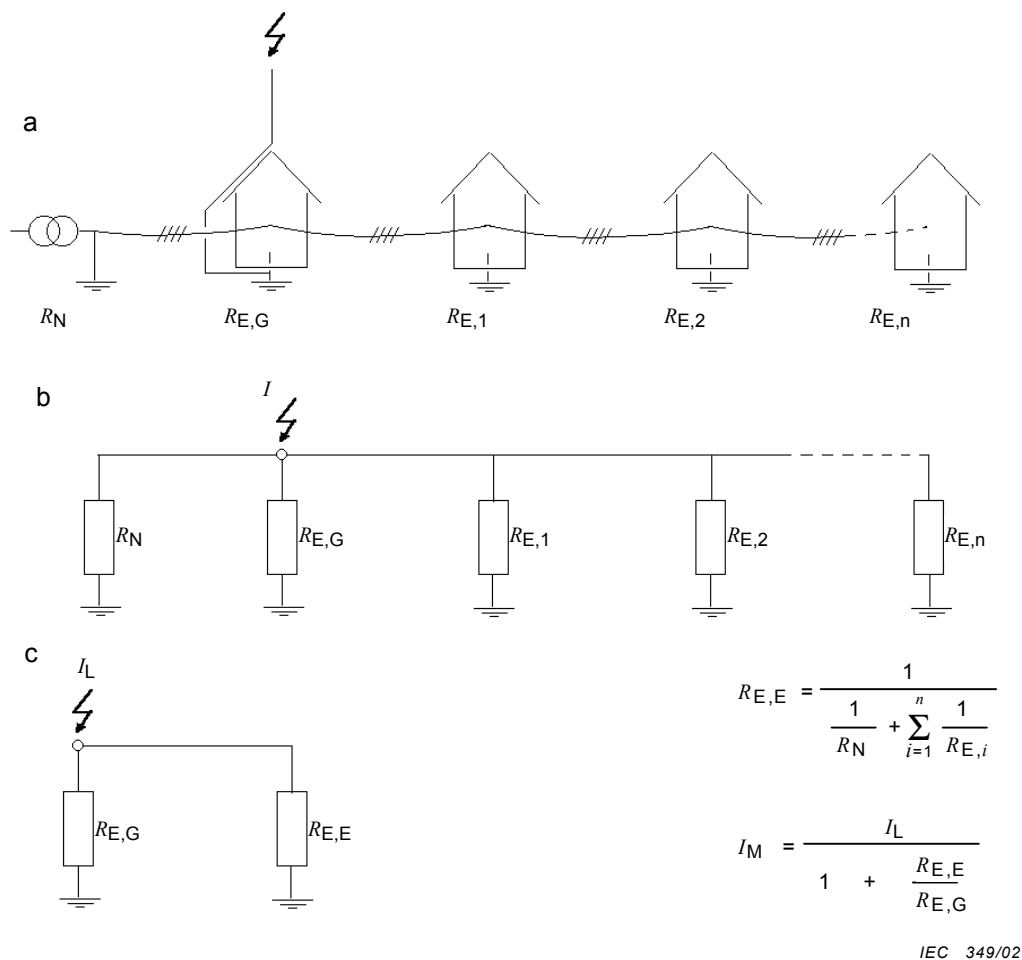
Les fusibles sont largement utilisés dans les réseaux de distribution et les installations électriques pour la protection contre les surintensités et l'interruption de courts-circuits. Si un fusible fonctionne, par exemple dans un réseau de distribution pour éliminer un court-circuit, ce fonctionnement créera une surtension de forme d'onde grossièrement triangulaire et de fréquence relativement faible. La surtension apparaît entre les conducteurs de phase du réseau, mais aussi entre le conducteur de phase et le conducteur de terre de protection, en raison de la mise à la terre du conducteur de neutre ou, en cas de schéma IT, en raison des capacités entre réseau et terre. Ainsi, cette surtension contraint aussi l'isolation des masses et autres circuits. Bien sûr, ceci arrive très rarement par rapport aux surtensions induites par la coupure de courants de fonctionnement. Cette surtension est aussi transmise par le jeu de barres aux autres matériels d'utilisation alimentés par le même réseau de distribution.

Par comparaison avec les autres surtensions de coupure, l'apparition de surtensions dues au fonctionnement de fusibles est moins fréquente. Toutefois, en cas d'interruption due à un court-circuit, des surtensions très élevées peuvent se produire. Ceci est essentiellement influencé par le taux de montée du courant de court-circuit, les caractéristiques du fusible, son courant assigné et l'inductance du circuit.

L'interruption d'un court-circuit dans une artère d'un réseau de distribution par un fusible proche du jeu de barres est un sujet important car la surtension générée par la fusion du fusible affecte tous les autres matériels d'utilisation alimentés par le même jeu de barres. L'expérience fondée sur des statistiques a montré qu'un tel défaut est très rare sur les réseaux de distribution publique basse tension. Toutefois, ce type de défaut est d'importance plus grande dans les réseaux de distribution industriels, où l'apparition d'un court-circuit n'est pas rare.

Annexe D (informative)

Calculs de courants de foudre partiels



Légende

R_N Résistance de mise à la terre du neutre

$R_{E,G}$ Résistance de mise à la terre du bâtiment touché par la foudre

$R_{E,i}$ Résistance de la mise à la terre du bâtiment n° i

$R_{E,E}$ Résistance totale de toutes les mises à la terre, sauf celles du bâtiment touché par la foudre

I_L Courant de foudre frappant le bâtiment touché par la foudre

I_M Courant circulant dans le réseau

NOTE Pour ce calcul, il convient que la résistance du réseau de mise à la terre du bâtiment proche $R_{E,E}$ soit inférieure ou égale à la résistance du réseau de mise à la terre $R_{E,G}$ du bâtiment frappé par la foudre.

Figure D.1 – Calcul simple de la somme des courants de foudre partiels dans un réseau de distribution d'énergie

Selon la figure D.1, un bâtiment avec un système de protection contre la foudre est touché par un foudroiement. Le courant de foudre I_L sera dirigé via le paratonnerre vers l'installation de mise à la terre du bâtiment frappé par la foudre. Ceci provoquera une augmentation du potentiel et entraînera par conséquent un amorçage et/ou un fonctionnement des parafoudres

dans l'installation, de sorte que le courant de foudre I_L soit distribué partiellement dans les quatre fils du réseau.

Le courant partiel distribué I_M générera des surtensions dans le réseau et les installations, contraignant l'isolation et les appareils connectés. Par conséquent, non seulement le bâtiment touché par la foudre est menacé, mais aussi les bâtiments et les installations à proximité.

Le réseau simplifié (figure D.1 b) et c)) permet un calcul simplifié du courant partiel I_M dans le réseau de distribution.

NOTE Ce calcul n'est valable que pour la répartition de l'énergie (fin de l'onde de courant de foudre).

La contrainte à laquelle un parafoudre sera soumis dans des conditions de surtension, dépend de nombreux paramètres complexes et étroitement liés. Ceux-ci comprennent:

- L'emplacement des parafoudres à l'intérieur de la structure – sont-ils situés à l'entrée du tableau de distribution principal ou à l'intérieur de l'installation au niveau du répartiteur secondaire, voire en face de l'appareil de l'utilisateur final ?
- Les composants installés en amont du parafoudre, par exemple les fusibles, la section du câblage, etc, peuvent limiter la capacité de tenue aux chocs de l'ensemble du système et par conséquent les contraintes maximales sur le parafoudre.
- La méthode de couplage du foudroiement sur l'installation – par exemple, ceci est-il réalisé par un impact direct sur le système de protection contre la foudre de la structure, ou par induction sur le câblage du bâtiment en raison d'un impact proche?
- La distribution des courants de foudre à l'intérieur de la structure – par exemple, quelle partie du courant de foudre pénètre dans l'installation de mise à la terre, et quelle partie restante cherche un chemin vers la terre éloignée par l'intermédiaire du réseau de distribution et des parafoudres de liaison équipotentielle ?
- Le type de réseau de distribution – la distribution du courant de foudre sur un réseau de distribution est fortement influencée par la pratique de mise à la terre pour le conducteur de neutre. Par exemple, dans le schéma TN-C avec des neutres avec mises à la terre multiples, un trajet plus direct et d'impédance plus faible vers la terre est prévu pour les courants de foudre que dans un schéma TT.
- Des services conducteurs supplémentaires reliés à l'installation – ces derniers transporteront une partie du courant de foudre direct et réduiront par conséquent la partie qui circule à travers le réseau de distribution par l'intermédiaire du parafoudre de liaison équipotentielle. Il convient de porter une attention particulière à la permanence de tels services en raison du remplacement éventuel par des parties non conductrices).
- Le type de forme d'onde considéré – il n'est pas possible de prendre simplement en compte le courant de crête que le parafoudre devra transporter dans des conditions de surtension, il faut également prendre en compte la forme d'onde de cette surtension.

De nombreuses tentatives ont été entreprises afin de quantifier l'environnement électrique et le « niveau de menace » auxquels un parafoudre sera soumis en différents emplacements d'une installation. La CEI 62305-4, "Protection contre la foudre – Partie 4: Réseaux de puissance et de communication dans les structures" a cherché à traiter cette question en considérant l'amplitude de choc la plus élevée pouvant être reçue par un parafoudre, en se basant sur le niveau de protection contre la foudre (LPL, *lightning protection level*) considéré. Par exemple, la présente norme pose comme principe qu'à un niveau de protection contre la foudre I, l'amplitude d'un impact direct sur le système de protection contre la foudre de la structure peut atteindre jusqu'à 200kA 10/350. Tandis que ce niveau est possible, sa probabilité statistique d'apparition n'est que de 1%. En d'autres termes, 99% des décharges seront inférieures à ce niveau de courant de crête hypothétique de 200 kA.

De plus, une hypothèse est émise selon laquelle 50% de ce courant est transporté par le système de mise à la terre du bâtiment, et 50% est acheminé par l'intermédiaire des parafoudres de liaison équipotentielle reliés à un réseau de distribution à trois fils plus neutre. On suppose également qu'aucun service conducteur supplémentaire n'existe. Ceci implique

que la partie de la décharge initiale de 200 kA à laquelle est soumis chaque parafoudre est de 25 kA.

Des hypothèses simplifiées de dispersion du courant sont utiles en tenant compte du niveau de menace possible que le(s) parafoudre(s) peu(ven)t rencontrer, mais il est important de garder dans le contexte les hypothèses émises. Dans l'exemple ci-dessus, une décharge de foudre de 200kA a été prise en compte. Il s'ensuit que le niveau de menace pour les parafoudres de liaison équipotentielle sera inférieur à 25kA pour 99% des cas. De plus, il a été supposé que la forme d'onde de cette composante de courant à travers le(s) parafoudre(s) sera de la même forme d'onde que la décharge initiale, tandis qu'en réalité la forme d'onde peut avoir été altérée par l'impédance du câblage du bâtiment, etc.

De nombreuses normes ont cherché à baser plutôt leurs considérations sur le niveau de menace que le parafoudre peut rencontrer en cours de fonctionnement sur l'expérience sur le terrain acquise avec le temps. Par exemple, le guide IEEE sur l'environnement C62.41.1 et la pratique recommandée C62.41.2 présentent différents niveaux d'exposition, chacun dépendant de l'emplacement dans lequel le parafoudre est installé.

D'après les éléments ci-dessus, il apparaît que le choix de la valeur appropriée de I_{max} ou I_{imp} d'un parafoudre dépend de nombreux paramètres complexes et étroitement liés. Il est non seulement nécessaire que l'utilisateur considère la façon dont le courant d'injection sera réparti à l'intérieur de la structure et de son réseau de distribution, mais aussi qu'il tienne compte des probabilités statistiques associées à l'amplitude de cette décharge et des formes d'ondes impliquées.

Il est important de garder en contexte que la probabilité des dommages sur les systèmes électroniques à l'intérieur du bâtiment en raison de surtensions pénétrant via les lignes d'alimentation, téléphoniques et de données, est bien plus importante que celle due à un impact direct sur le bâtiment lui-même.

De nombreux bâtiments ne possèdent pas, ou peuvent ne pas nécessiter de systèmes de protection contre la foudre, et ainsi des parafoudres de classe I à courant élevé peuvent ne pas être aussi nécessaires qu'un parafoudre de classe II conçu correctement avec un niveau de protection faible U_p .

En traitant de telles complexités, il est nécessaire de garder à l'esprit que l'aspect le plus important dans le choix d'un parafoudre est sa performance de tension de limitation au cours de l'événement de choc attendu, et non l'énergie admissible (I_{imp} , I_{max} , U_{oc}) qu'il peut accepter. Un parafoudre avec une tension de limitation faible assurera une protection adéquate du matériel, tandis qu'un parafoudre avec une énergie admissible élevée peut uniquement entraîner une durée de vie plus longue.

Annexe E (informative)

Surtension temporaire dans le réseau basse tension due à des défauts entre réseaux haute tension et terre

E.1 Généralités

En cas de défaut de haute tension en amont d'un transformateur HT/BT (par exemple, dû soit à un défaut interne du transformateur, soit à un amorçage d'un éclateur, voir note ci-après), un courant, appelé I_m dans cette annexe, s'écoule dans la résistance de terre R du transformateur. En fonction de la connexion entre cette résistance de terre et le réseau basse tension, une haute tension $U_{TOV(HT)}$ peut contraindre le réseau basse tension pendant une durée égale au temps d'élimination du défaut dans le réseau HT (de 10 ms à plusieurs heures).

NOTE Les surtensions temporaires sur le côté BT du transformateur peuvent être dues à

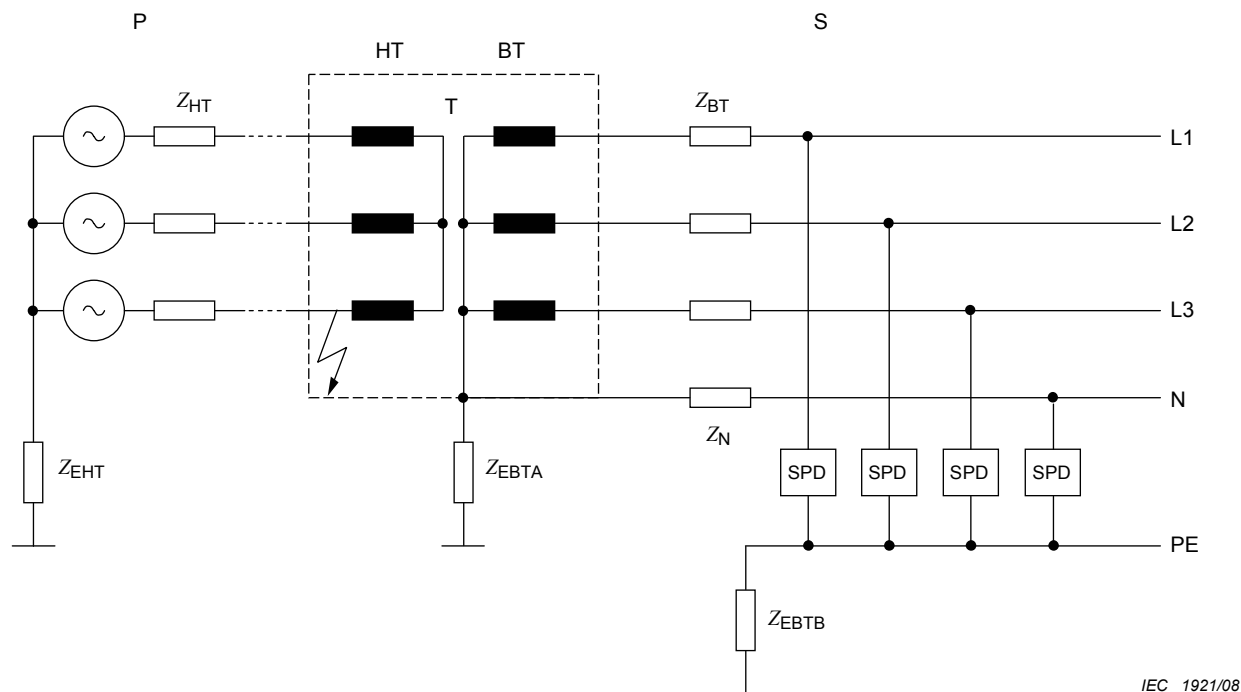
- une perte d'isolation entre HT et BT due à une élévation excessive en potentiel des masses HT;
- un contact direct entre HT et BT résultant d'un défaut interne du transformateur HT/BT ou d'une chute d'un conducteur HT sur les lignes BT;
- un couplage entre les liaisons à la terre entraînant une surtension du neutre BT et, par conséquent, des conducteurs BT, même sur la liaison à la terre de l'utilisateur ou dans les réseaux de télécommunication situés à proximité.

Pour une explication plus détaillée sur ces conditions de surtensions temporaires potentielles, voir la CEI 60364-4-44. Dans ce cas, un parafoudre connecté entre les conducteurs actifs et la terre peut subir des contraintes excessives et peut ne pas être capable de résister à ces contraintes. L'exemple suivant d'un schéma TT illustre ce cas. Ceci peut aussi se produire dans les schémas TN ou IT (voir les autres exemples suivants).

.....

E.2 Exemple d'un schéma TT – Calcul de surtensions temporaires possibles

E.2.1 Contraintes possibles sur des matériels dans des installations basse tension dues à des défauts à la terre dans le réseau haute tension



IEC 1921/08

Légende

- P Réseau HT
S Réseau BT
T Transformateur

Figure E.1 – Surtension temporaire à fréquence industrielle due à un défaut à la terre du réseau haute tension

Définition des impédances

- Z_{EHT} Impédance de la prise de terre du réseau haute tension (dépendant du régime de point neutre du réseau haute tension)
 Z_{EBT} Impédance de la prise de terre du réseau basse tension (somme de Z_{EBTA} et de Z_{EBTB})
 Z_{BT}, Z_N Impédance de ligne et impédance du conducteur de neutre

Un défaut à la terre dans le réseau HT influence les tensions du réseau BT si le point neutre du transformateur côté basse tension est mis à la terre (Figure E.1). De même, dans le cas d'une mise à la terre non commune des points neutres des deux transformateurs, un défaut à la terre (défaillance du transformateur, amorçage d'un éclateur ou défaut interne du transformateur) induit une élévation de tension du réseau BT au point neutre. Le courant à la terre du réseau HT s'écoulant dans l'impédance Z_{EBTA} explique l'élévation de tension au point neutre du transformateur. C'est la raison pour laquelle la valeur de Z_{EBTA} et la valeur du courant à la terre déterminent la valeur de la surtension temporaire à fréquence industrielle dans le réseau BT.

E.2.2 Caractéristiques du réseau haute tension

E.2.2.1 Réseaux haute tension avec courant à la terre limité

En réalisant la mise à la terre du réseau HT par une bobine de Petersen, le courant à la terre est limité à $I_{\text{terre}} = 50 \text{ A}$ à 60 A , afin d'assurer l'auto-extinction de l'arc.

L'impédance résiduelle de terre du réseau HT est donc $Z_{\text{EHT}} = 100 \ \Omega$ à $500 \ \Omega$ et le courant à la terre est seulement déterminé par Z_{EHT} . La puissance du court-circuit et l'impédance à la terre Z_{BTA} et Z_{BTB} n'ont pas d'influence.

E.2.2.2 Réseaux haute tension avec mise à la terre du neutre par faible résistance ohmique

Pour les réseaux complètement souterrains, la limitation du courant de terre n'est plus une opportunité d'auto-extinction du courant de terre (un défaut d'isolement dans le câble endommage l'isolation). Pour cette raison, un nombre croissant de réseaux HT fonctionnent avec mise à la terre du neutre par faible résistance ohmique. En général, il convient que la résistance à la terre Z_{EHT} limite le courant de court-circuit à la terre à $I_{\text{terre}} \approx 2 \text{ kA}$.

Pour un réseau HT de tension assignée $U_n = 20 \text{ kV}$, une résistance à la terre $Z_{\text{EHT}} \approx 5 \ \Omega$ satisfait à cette exigence. Des petits postes de transformateurs ont souvent une protection non onéreuse contre les surintensités. C'est pourquoi les fusibles sont utilisés pour interrompre les courants de court-circuit. La durée d'interruption est de l'ordre de 100 ms en fonction du courant assigné du fusible.

E.2.3 Surtensions temporaires dans un réseau basse tension dues à des défauts du réseau haute tension

E.2.3.1 Réseau haute tension avec courant à la terre limité

Dans les réseaux BT alimentés par des réseaux HT avec courant à la terre limité, il convient que l'impédance de la prise de terre au niveau du transformateur soit de $Z_{\text{EBTA}} = 2,5 \ \Omega$ à $5 \ \Omega$. Avec un courant à la terre $I_{\text{terre}} = 50 \text{ A}$, la tension entre neutre et terre s'élève à $U_{\text{TOV(HT)}} = 125 \text{ V}$ à 250 V . Dans un réseau TT, cette surtension temporaire contraint l'isolation et les éléments de protection contre les surtensions s'ils sont installés. Le courant maximal conduit par $U_{\text{TOV(HT)}}$ à travers un élément de protection contre les surtensions installé entre neutre et terre est définitivement inférieur à 50 A . C'est pourquoi il convient que des éclateurs entre neutre et terre soient aptes à interrompre des courants alternatifs faibles.

NOTE Dans certains pays, la valeur de $U_{\text{TOV(HT)}}$ peut atteindre 500 V , étant donné que la résistance de terre Z_{EBTA} peut atteindre $10 \ \Omega$.

E.2.3.2 Réseau haute tension avec mise à la terre du neutre par faible résistance ohmique

En supposant un réseau typique de 20 kV avec les paramètres suivants:

$$Z_{\text{EHT}} = 5 \ \Omega; P_{\text{court-circuit}} = 100 \text{ MVA}, U_n = 20 \text{ kV}$$

et un réseau BT caractérisé par:

$$\begin{aligned} Z_{\text{EBTA}} &= 1 \ \Omega & U_n &= 230 \text{ V} \\ Z_{\text{EBTB}} &= 5 \ \Omega & Z_{\text{BT}} = Z_N &= 150 \text{ m}\Omega \end{aligned}$$

une surtension temporaire dans Z_{EBTA} de $U_{\text{TOV(HT)}} \approx 1\,200 \text{ V}$ apparaît.

Le courant maximal s'écoulant dans un élément de protection contre les surtensions installé entre neutre et terre dépend du rapport entre Z_{EBTA} et la somme de Z_{EBTB} et Z_N . Pour l'exemple donné, un courant de $\approx 200 \text{ A}$ peut être calculé.

E.2.4 Conclusions

- Un réseau HT avec un courant à la terre limité entraîne des surtensions temporaires à fréquence industrielle dans le réseau BT $U_{TOV(HT)} \approx 250$ V pour un temps indéfini.
- Le courant maximal conduit par $U_{TOV(HT)}$ dans un élément de protection contre les surtensions entre neutre et terre est égal à 50 A.
- Les réseaux HT avec mise à la terre du neutre par faible résistance ohmique entraînent des surtensions temporaires dans les réseaux BT jusqu'à $U_{TOV(HT)} \approx 1\ 200$ V.
- Le courant conduit par $U_{TOV(HT)}$ à travers un élément de protection contre les surtensions entre neutre et terre dépend du rapport entre l'impédance de la mise à la terre du transformateur et l'impédance de la mise à la terre du neutre du réseau BT, à l'extérieur du transformateur. Ce courant est de l'ordre de quelques centaines d'ampères.

E.3 Valeurs des surtensions temporaires selon la CEI 60364-4-44

Les paramètres des réseaux par rapport aux surtensions temporaires dans cette application particulière doivent être connus de l'utilisateur pour l'estimation de l'application, afin de réaliser un équilibre entre la protection des matériels et l'éventuelle défaillance du parafoudre. La CEI 61643-1 traite de cet aspect et un essai optionnel de surtension temporaire est proposé, qui peut être effectué sur le parafoudre afin de vérifier que, si celui-ci est en défaut, il convient qu'il ne donne pas naissance à une condition dangereuse.

La valeur de $U_{TOV(HT)}$ dépend du courant de défaut I_m et de la résistance de terre, R , du transformateur. Dans le cas de réseaux avec mises à la terre multiples, la résistance est celle du réseau de terre vu du point de défaut. Les valeurs maximales définies dans la CEI 60364-4-44 sont:

$$U_0 + 250 \text{ V eff. pour des durées supérieures à } 5 \text{ s}$$

Ce cas est relatif à des réseaux HT avec des temps de coupure longs, par exemple des réseaux HT avec mise à la terre par inductance.

NOTE Dans certains pays, la valeur peut atteindre $U_0 + 500$ V, et la durée peut être bien supérieure à 5 s.

$$U_0 + 1\ 200 \text{ V eff. pour une durée jusqu'à } 5 \text{ s}$$

Ce cas est relatif à des réseaux HT avec des temps de coupure faibles, par exemple des réseaux HT directement à la terre.

Les symboles suivants sont utilisés dans les schémas (issus de la CEI 60364-4-44).

I_m : partie du courant de défaut à la terre du réseau haute tension s'écoulant dans la prise de terre des masses du poste de transformation

R : résistance de la prise de terre des masses du poste de transformation

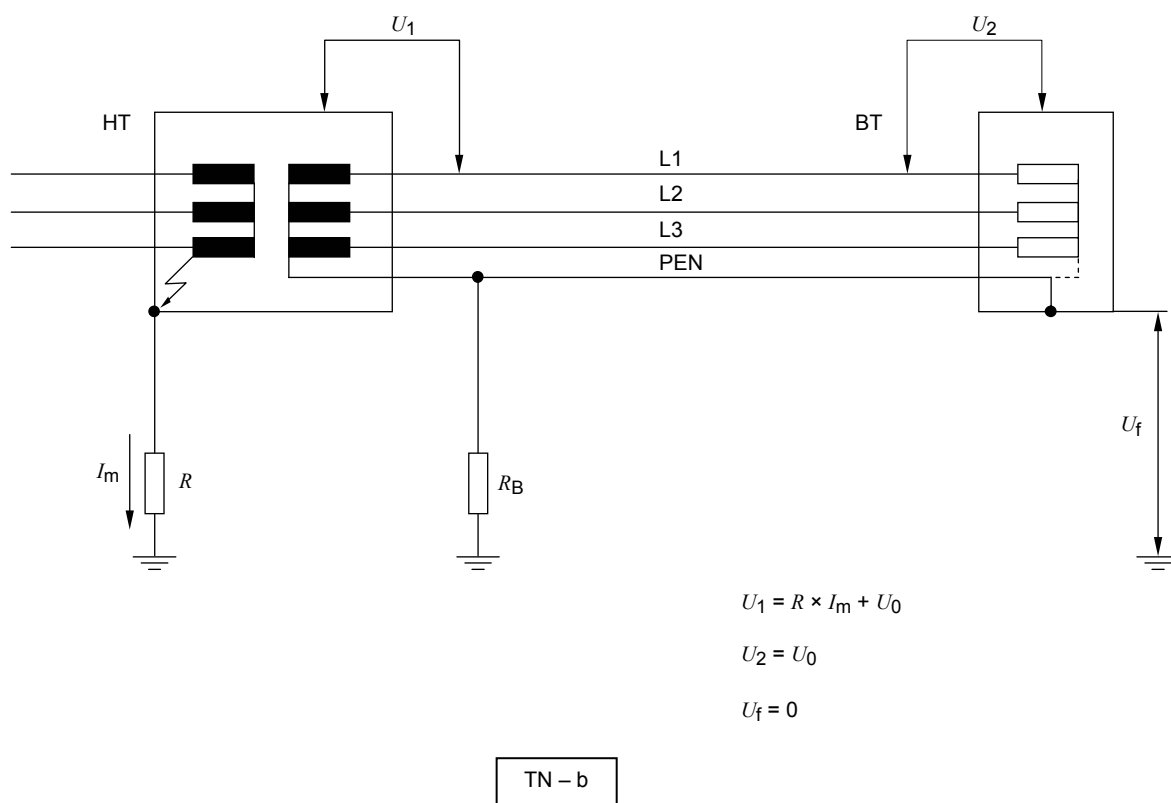
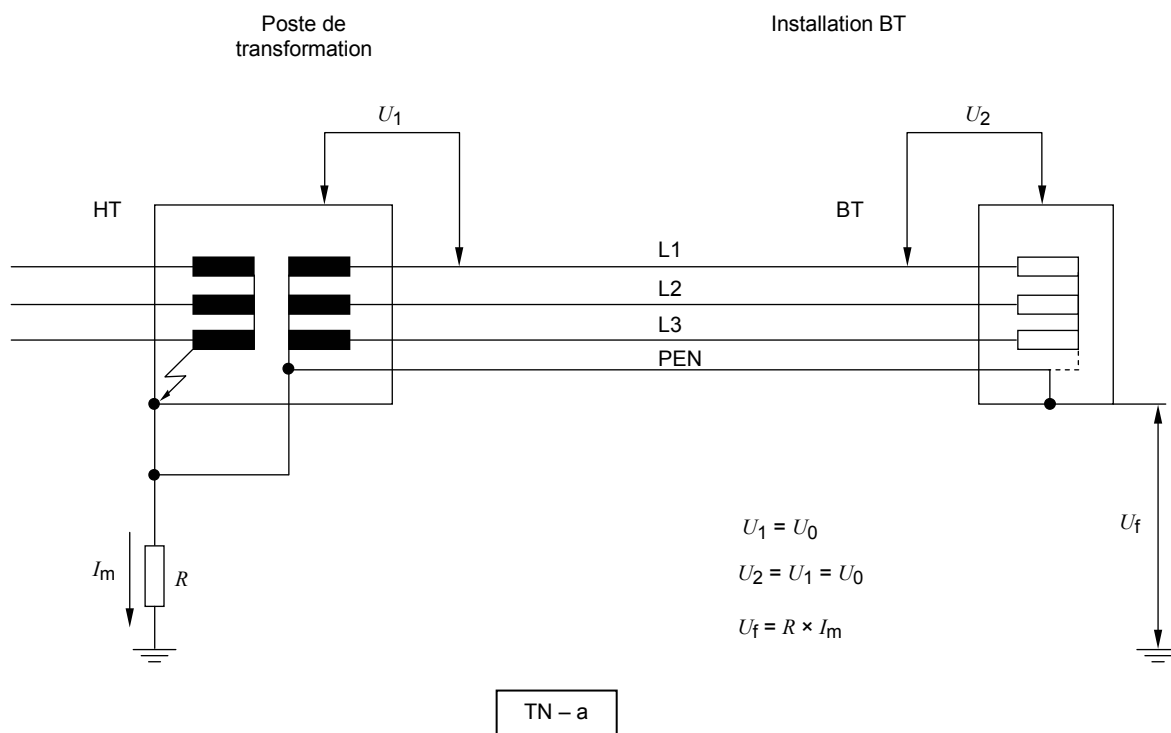
U_0 : tension entre phase et neutre du réseau basse tension

U_f : tension de défaut dans le réseau BT entre les masses et la terre

U_1 : contrainte de tension des matériels BT du poste de transformation

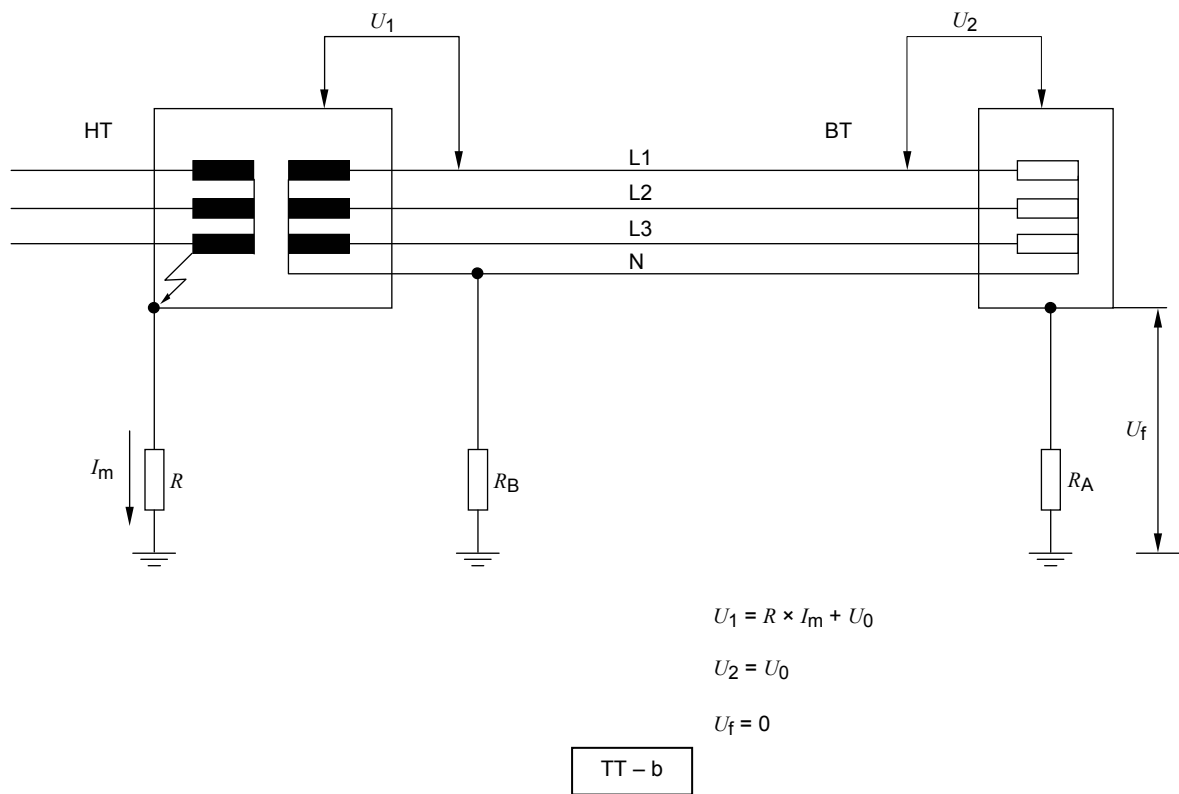
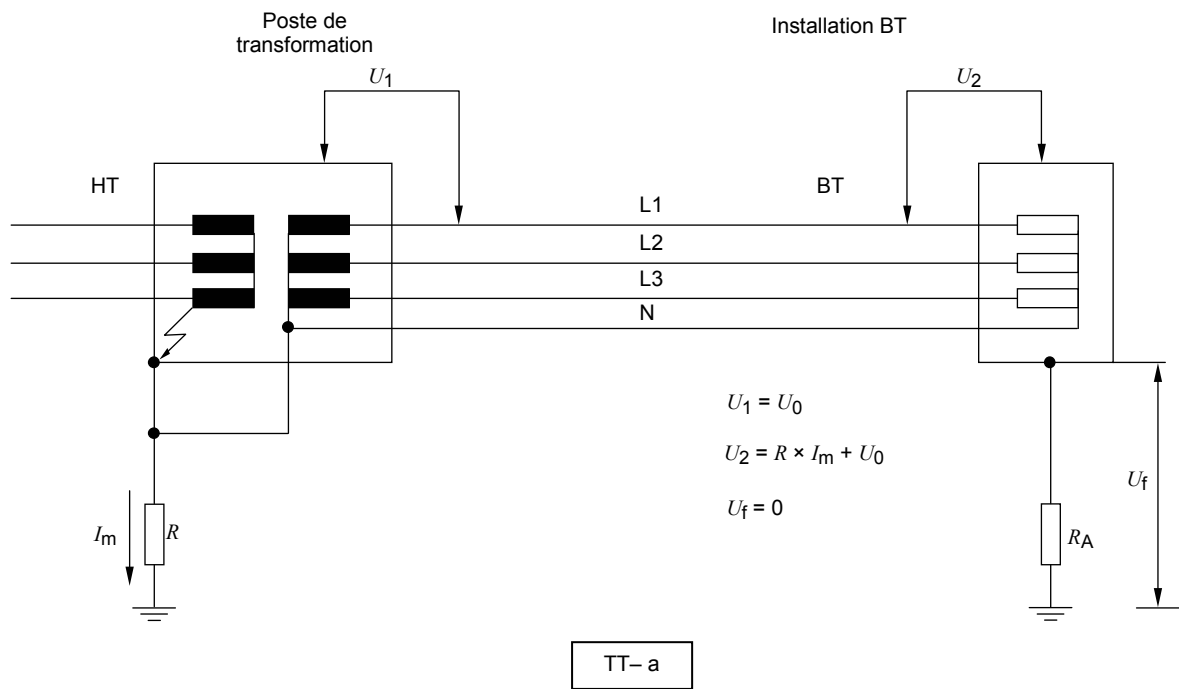
U_2 : contrainte de tension des matériels BT du réseau du consommateur

La Figure E.11 et les calculs de l'Article E.3 sont issus de la CEI 60364-4-44. Ce schéma illustre un cas typique utilisé aux USA.



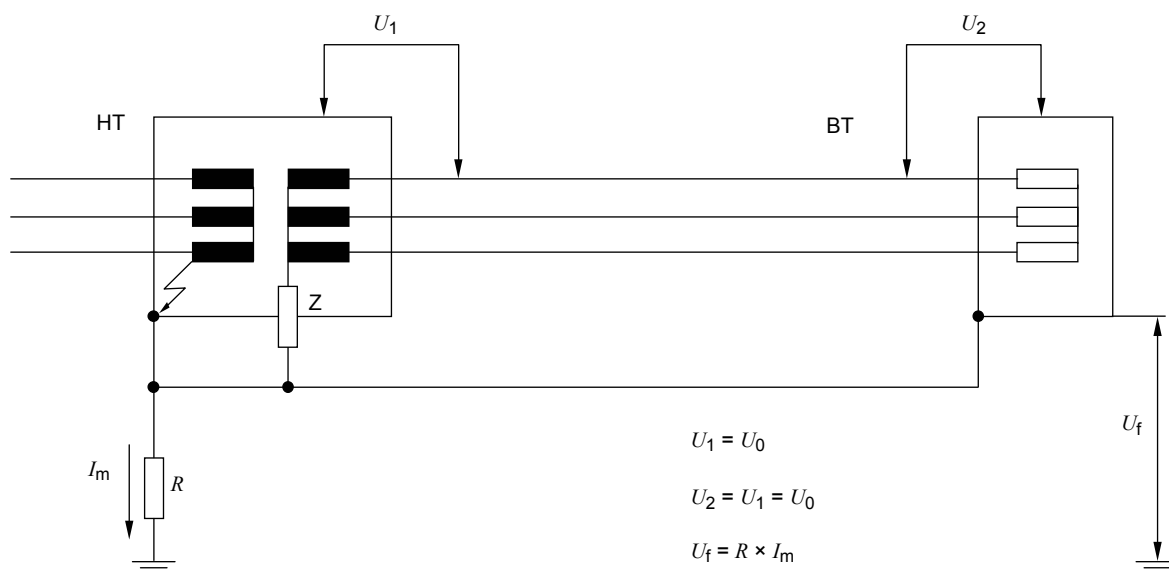
IEC 1922/08

Figure E.2 – Schémas TN

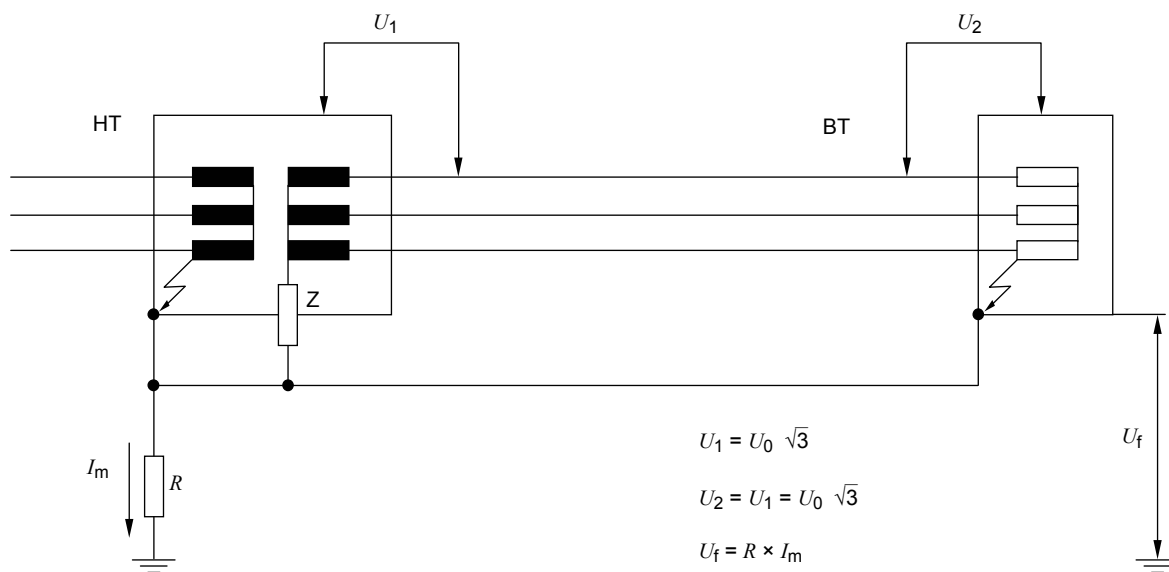


IEC 1923/08

Figure E.3 – Schémas TT



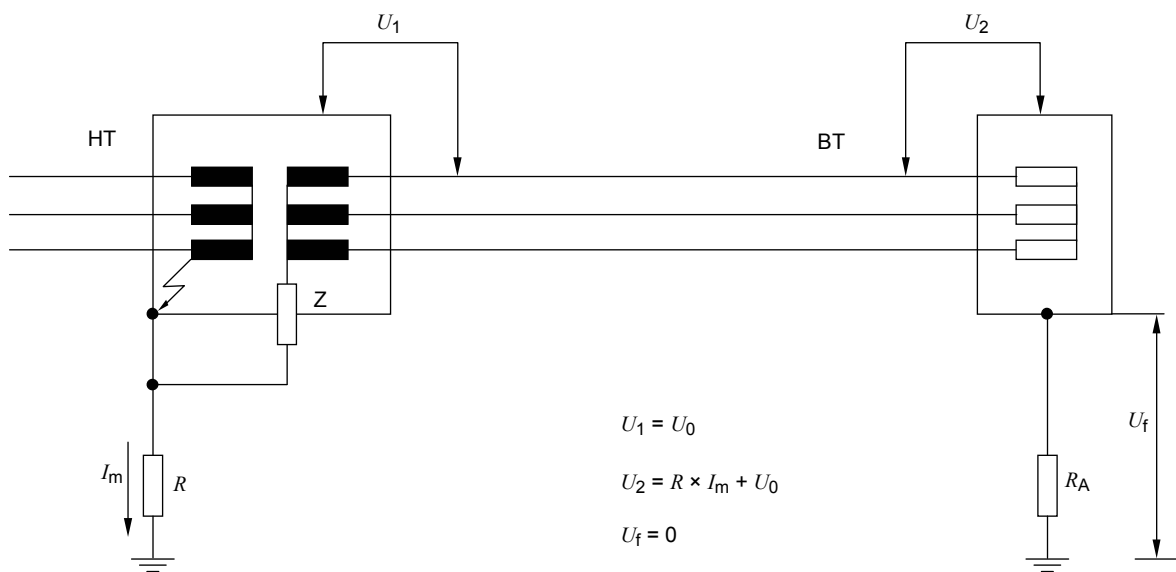
1. Pas de défaut dans le réseau BT



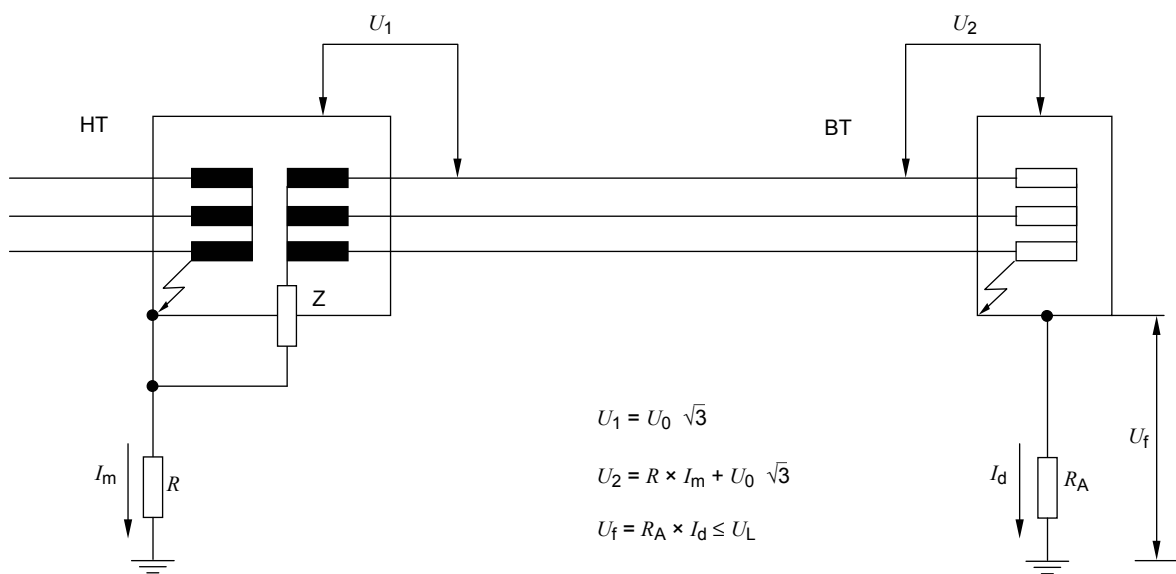
2. Un premier défaut existe dans le réseau BT

IEC 1924/08

Figure E.4 – Schéma IT, exemple a



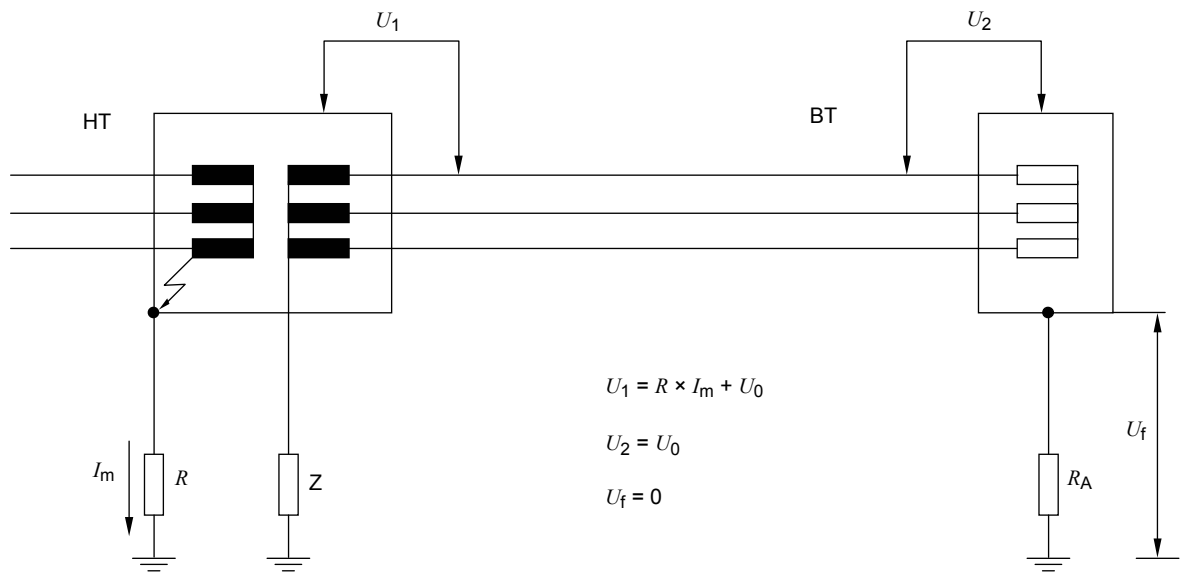
1. Pas de défaut dans le réseau BT



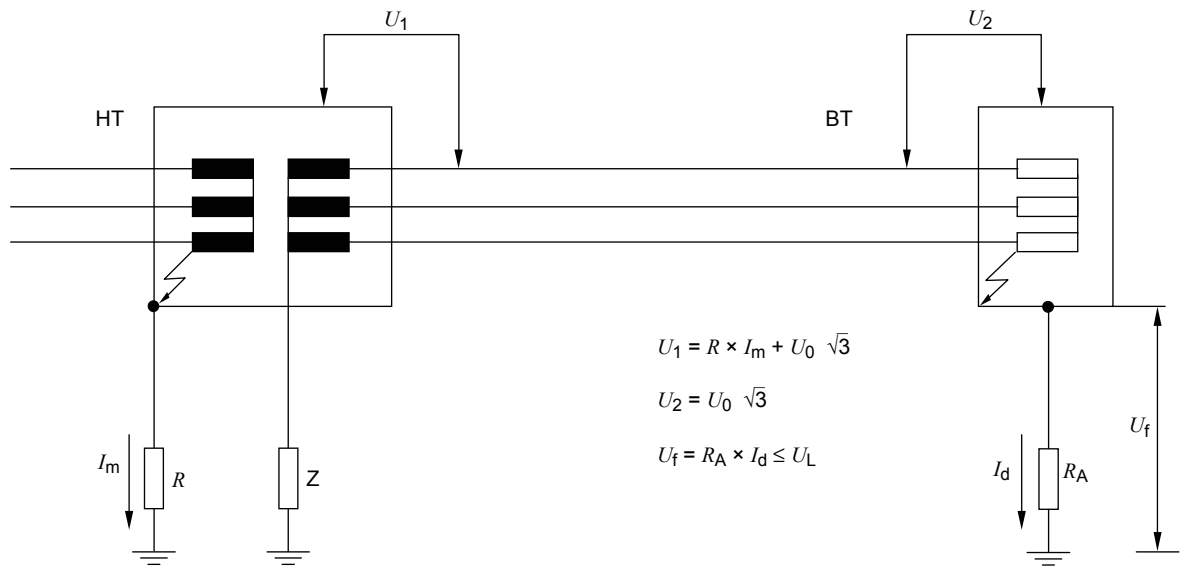
2. Un premier défaut existe dans le réseau BT

IEC 1925/08

Figure E.5 – Schéma IT, exemple b



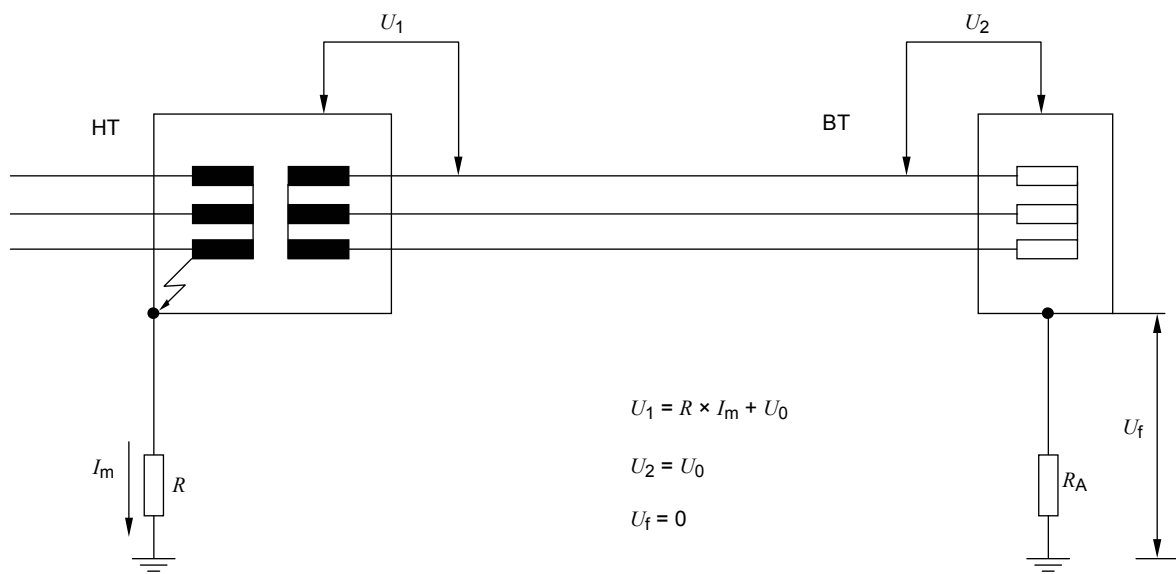
1. Pas défaut dans le réseau BT



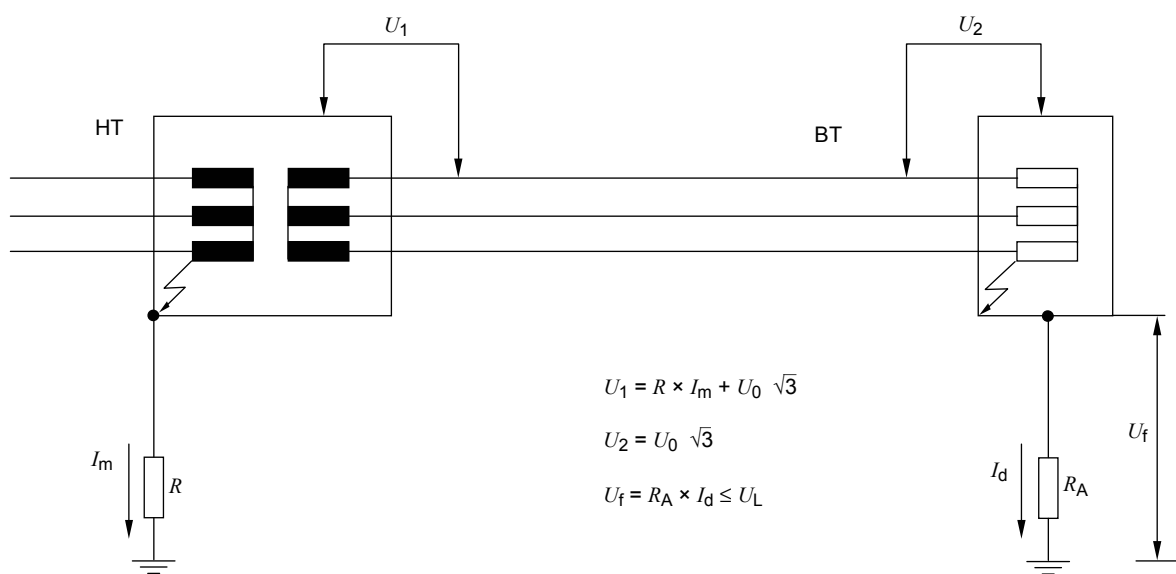
2. Un premier défaut existe dans le réseau BT

IEC 1926/08

Figure E.6 – Schéma IT, exemple c1



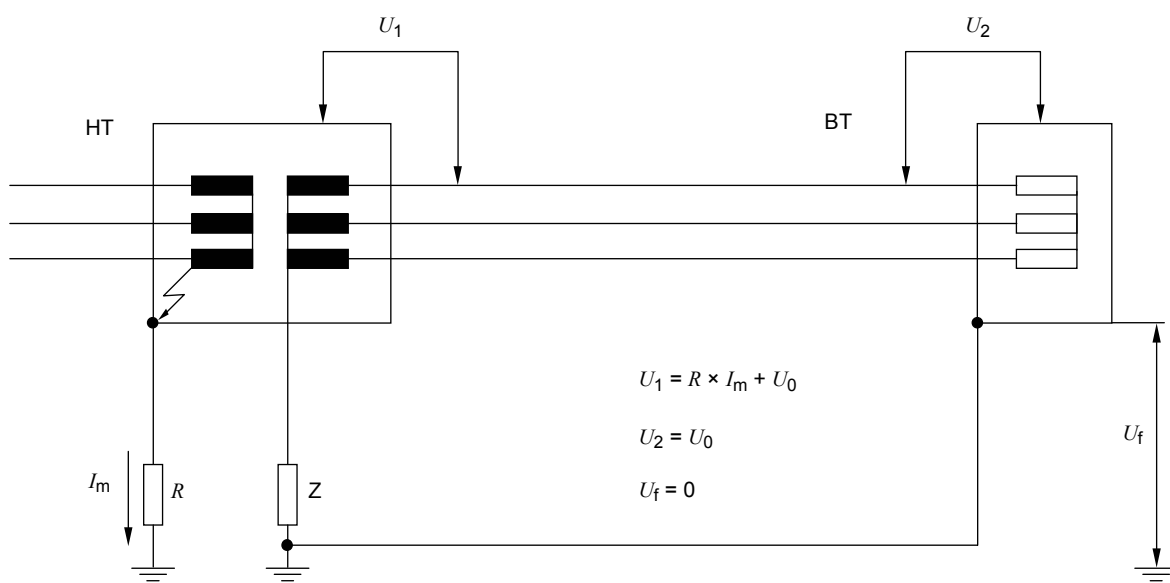
1. Pas de défaut dans le réseau BT



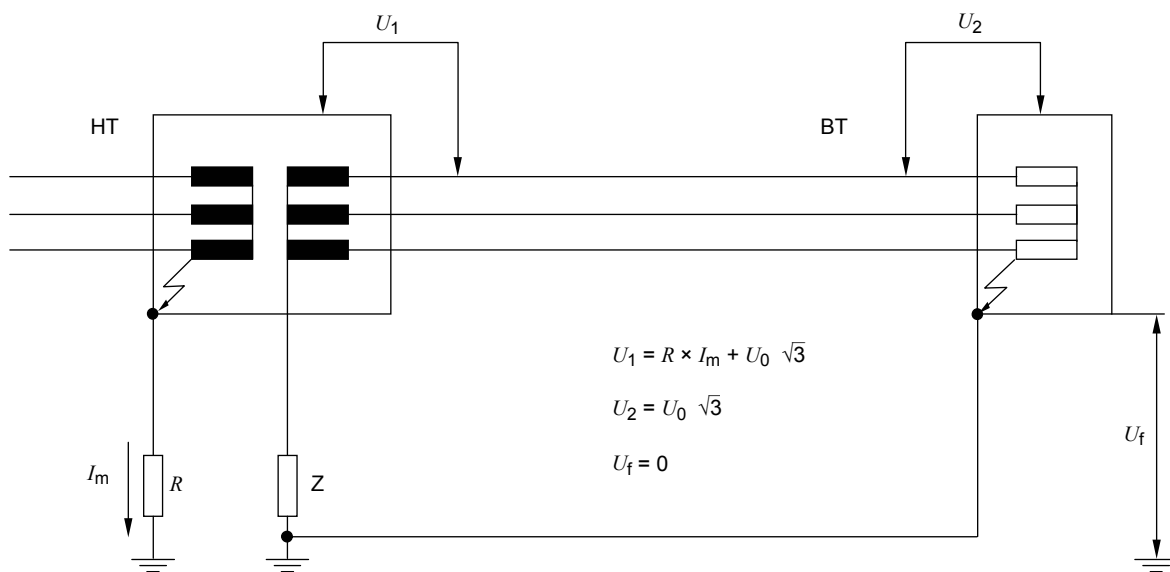
2. Un premier défaut existe dans le réseau BT

IEC 1927/08

Figure E.7 – Schéma IT, exemple c2



1. Pas de défaut dans le réseau BT



2. Un premier défaut existe dans le réseau BT

IEC 1928/08

Figure E.8 – Schéma IT, exemple d

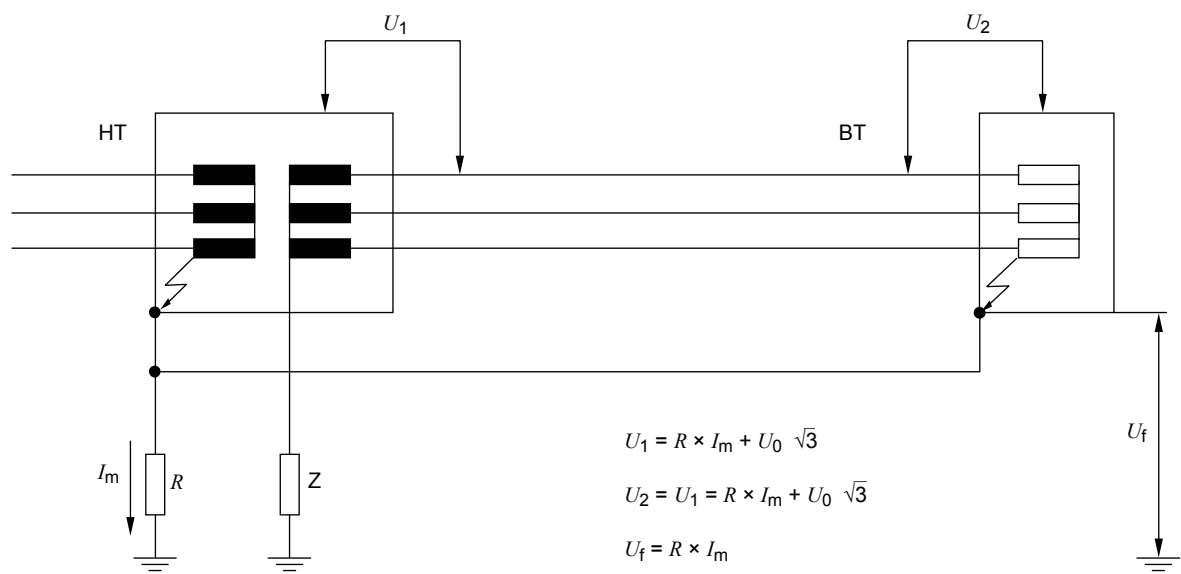
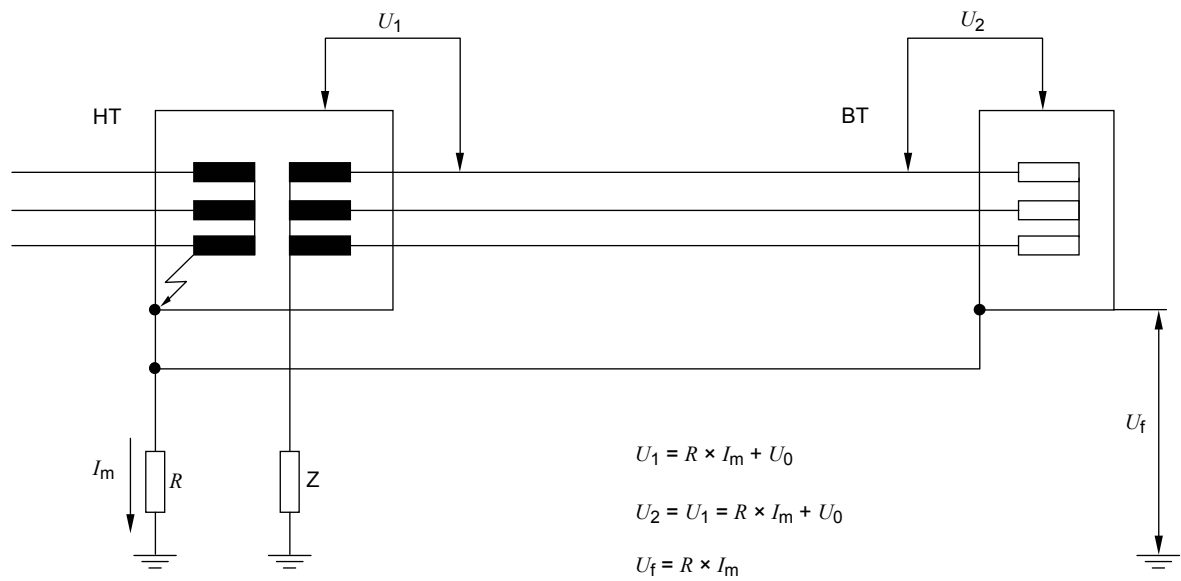
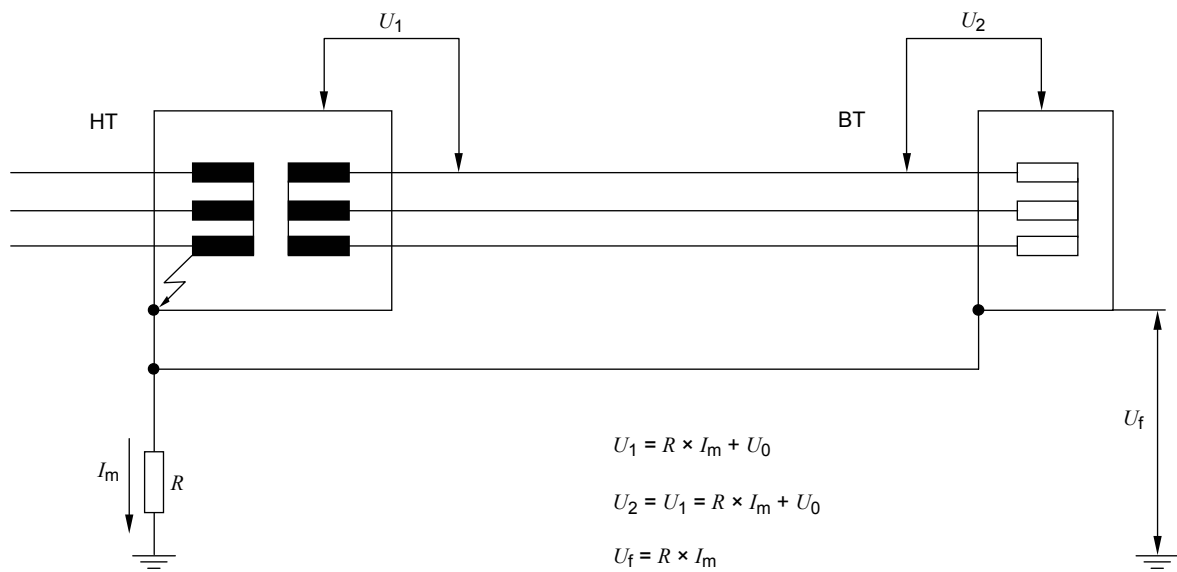
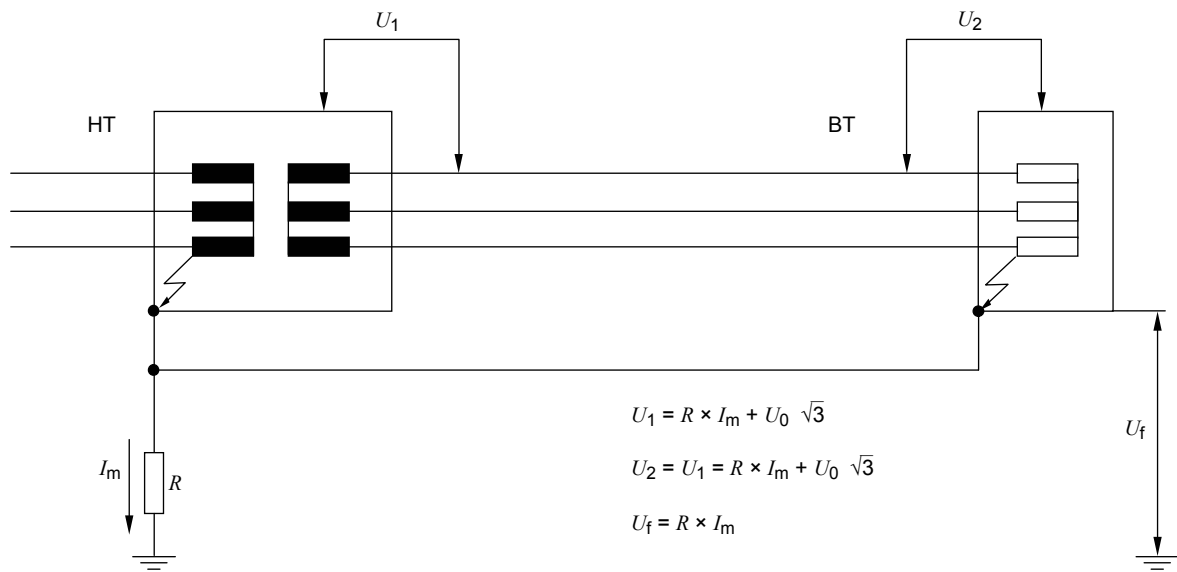


Figure E.9 – Schéma IT, exemple e1

IEC 1929/08



1. Pas de défaut dans le réseau BT

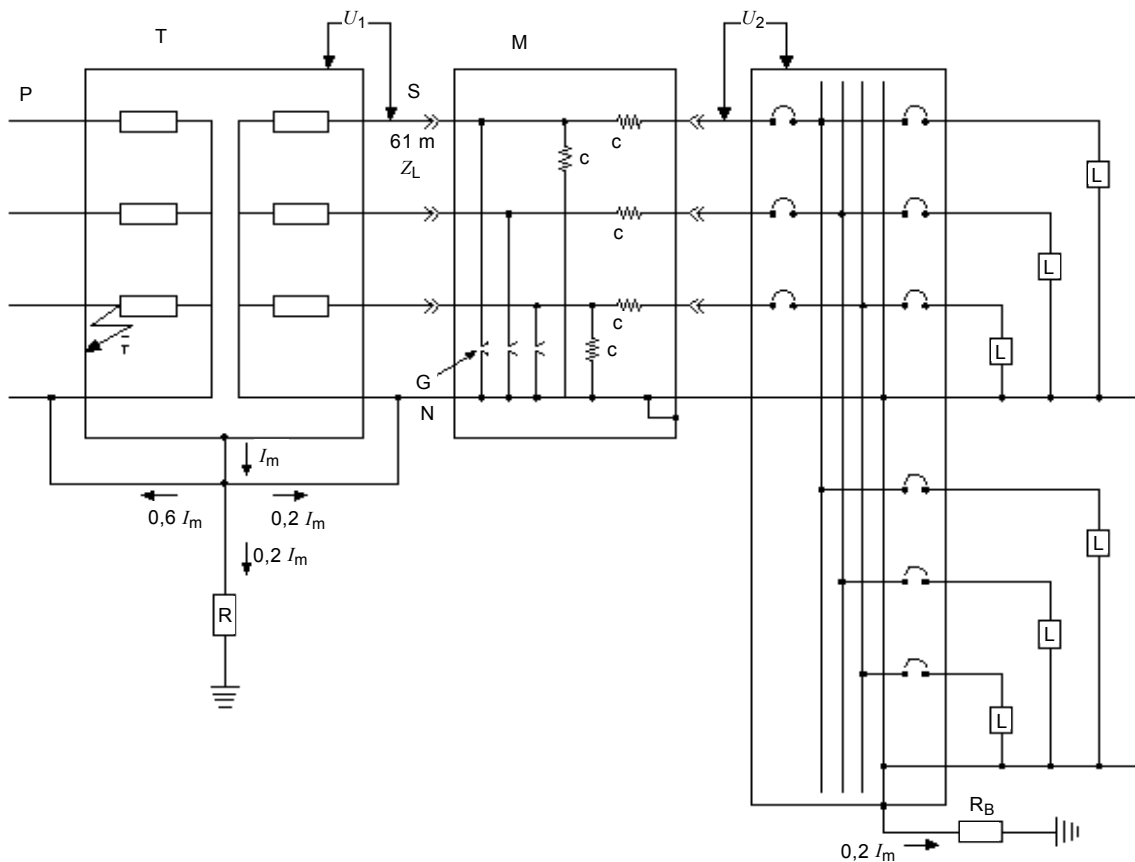


2. Un premier défaut existe dans le réseau BT

IEC 1930/08

Figure E.10 – Schéma IT, exemple e2

E.4 Valeurs des surtensions temporaires pour le schéma TN C-S des USA



Légende

P	HT	c	Bobine
S	BT	G	Éclateur
T	Transformateur	L	Charge
M	Compteur		

IEC 369/02

Figure E.11 – Schéma TN-C-S des USA

La discussion suivante est basée sur la Figure E.11. Cette figure montre la répartition du courant de suite pour un défaut sur la haute tension à côté du transformateur de distribution. Dans cet exemple, il est supposé que la résistance de terre du transformateur et de l'entrée de l'installation est de 15Ω .

$U_1 = U_0$, où U_0 est la tension maximale de fonctionnement au secondaire.

Z_L est l'impédance des conducteurs de phase entre le transformateur et le tableau de distribution.

Les éclateurs du compteur s'amorcent pour une tension comprise entre 1 500 V et 2 500 V.

Cet exemple traite d'un cas typique représentatif d'un circuit de distribution 23 kV/13,2 kV Y d'Amérique du Nord avec un courant de défaut maximal (I_m) de 10 kA. L'impédance (Z_L) de $0,041 \Omega$ est typique pour des conducteurs du secondaire en triplex qui seraient utilisés avec une installation triphasée de 3 kVA à 25 kVA de transformateurs de distribution aérienne monophasée. Une distance d'environ 60 m en conducteurs cuivre 4/0 AWG (valeur équivalente selon la CEI 60999-1: 25 mm^2) a été utilisée pour les calculs. L'hypothèse de la

répartition du courant de défaut se fonde sur les calculs et la mesure du champ lors d'un défaut d'un circuit de distribution avec mises à la terre multiples.

Dans cet exemple $U_0 = 132 \text{ V}$

$$U_1 = U_0 = 132 \text{ V}$$

$$U_2 = U_0 + 0,2 \times I_m \times Z_L = 132 + 0,2 \times 10\,000 \times 0,04 = 214 \text{ V}$$

Bien que ceci montre une surtension de 1,78 fois la tension nominale du réseau (1,78 p.u.), en supposant que $R \gg R_B$, pour la même condition de défaut, une valeur $U_2 = 294 \text{ V}$ ou 2,45 fois la tension nominale du réseau (2,45 p.u.) peut être obtenue. Cette surtension temporaire (TOV) dure jusqu'à ce que le défaut soit éliminé soit par un fusible, soit par l'ouverture de disjoncteurs en amont ou contacteurs. Le temps de fonctionnement de ces dispositifs peut varier de 0,016 s à 1,5 s en fonction des caractéristiques du dispositif de protection. Des longueurs plus courtes des conducteurs et des courants de défaut plus faibles entraînent des conditions moins sévères.

Bien que cet exemple montre qu'un premier défaut peut induire une surtension temporaire de 2,45 par unité de la tension nominale du réseau, il s'agit d'une condition extrêmement rare. Il est rare que des circuits de distribution aient des courants de défaut réels de 10 kA. La moyenne des courants de défaut dans le circuit de distribution est inférieure à 4 kA. Ainsi, la surtension temporaire est très réduite. Des distributions secondaires de grande longueur sont inhabituelles. Les longueurs de distribution inférieure induisent des surtensions plus faibles. En général, les longueurs secondaires ne dépassent pas 30 m. C'est pourquoi, si le courant de défaut est de 4 kA et la longueur secondaire est inférieure à 30 m, la surtension temporaire est d'environ 1,24 fois par unité de la tension nominale du réseau, ou 148,4 V.

Annexe F (informative)

Règles et principes de coordination

F.1 Généralités

Comme décrit en 6.2.6, le but de la coordination entre les parafoudres est de remplir les critères d'énergie qui sont fondés sur l'énergie maximale admissible du second parafoudre. Toutefois, cette énergie dépend parfois de la forme d'onde et des essais, tels que décrits dans la CEI 61643-1, qui sont généralement effectués avec une seule forme d'onde (8/20 par exemple pour les essais de classe II). C'est la raison pour laquelle il est plus judicieux et plus facile d'obtenir directement cette valeur E_{\max} auprès du fabricant (la plupart du temps, cette valeur est indiquée dans la documentation technique du fabricant).

Pour bien définir l'énergie admissible d'un parafoudre, il est nécessaire de connaître les deux valeurs suivantes:

- $E_{\max S}$ pour les formes d'ondes des courants de courte durée, par exemple 8/20 (essais de classe II);
- $E_{\max L}$ pour les formes d'ondes des courants de longue durée, par exemple, les formes d'ondes des essais de classe I.

Pour certains domaines techniques, ces deux valeurs $E_{\max S}$ et $E_{\max L}$ peuvent être identiques.

Le parafoudre est alors caractérisé par deux courants I_{\max} pour les ondes courtes (telles que celles utilisées pour les essais de classe II) et I_{imp} pour les ondes longues (telles que celles utilisées pour les essais de classe I), associés à l'énergie admissible $E_{\max S}$ et $E_{\max L}$. Un parafoudre simple peut ensuite être soumis aux essais selon les essais de classes I et II.

Il est nécessaire de coordonner les parafoudres 1 et 2, en utilisant leur énergie maximale admissible E_{\max} pour les formes d'ondes des surtensions concernées, ce qui signifie qu'il est nécessaire de traiter deux cas:

- coordination avec des formes d'ondes de longue durée;
- coordination avec des formes d'ondes de courte durée.

En général, la coordination est plus facile à réaliser avec des formes d'ondes courtes.

NOTE Pour les parafoudres à coupure, il est également nécessaire de tenir compte des fronts de longue durée. Ce sujet est actuellement à l'étude au sein du comité d'études 81 de la CEI.

F.2 Etudes analytiques: cas simple de la coordination de deux parafoudres à varistances ZnO

F.2.1 Généralités

Les analyses suivantes s'appliquent uniquement aux parafoudres de type limitation à un accès, soumis aux essais de classes I et II, pour lesquels les courbes $U_{\text{res}}(I)$ sont connues. Ces courbes sont tracées en utilisant une forme d'onde 8/20 et sont données par le fabricant dans la documentation technique relative au parafoudre. Les dispositifs de classe III et les parafoudres à deux accès nécessitent une attention particulière (à l'étude).

L'exemple donné ci-dessous permet de mieux comprendre le problème lié à la coordination. Il s'agira de traiter d'abord le cas des parafoudres n° 1 et n° 2 qui sont composés de

varistances ZnO, lorsqu'il est possible de réaliser une étude analytique. Il convient de noter qu'une telle étude analytique est uniquement fondée sur un partage du courant. Pour être sûr que le critère d'énergie est rempli, il est possible que l'on soit amené à effectuer des calculs supplémentaires, en général assez fastidieux.

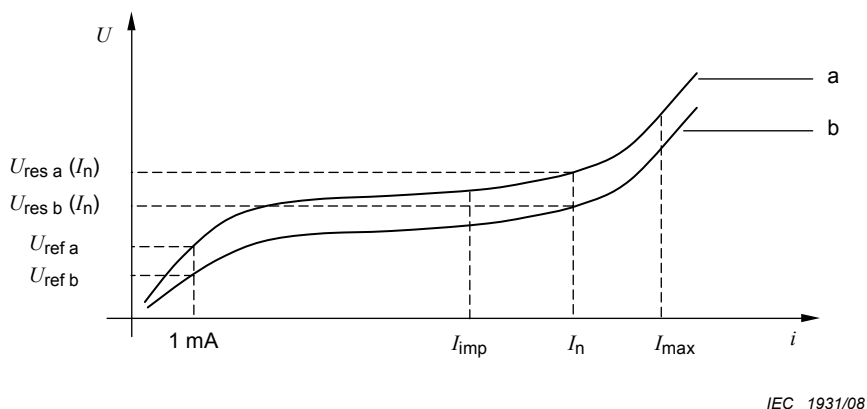
- Si les deux varistances ont le même diamètre (et donc le même courant nominal de décharge I_n et la même énergie admissible: I_{max} et I_{imp} identiques), mais présentent des niveaux de protection en tension U_{p1} et U_{p2} différents (épaisseurs différentes), on a alors les équations suivantes:

$$I_{n1} = I_{n2}$$

$$I_{max1} = I_{max2}$$

$$I_{imp1} = I_{imp2}$$

Ainsi, les courbes possibles $U_{res}(I)$ sont illustrées à la Figure F.1.



IEC 1931/08

Figure F.1 – Deux varistances ZnO ayant le même courant nominal de décharge

Si $U_{p1} > U_{p2}$: dans ce cas, la courbe a) correspond au parafoudre 1 et la courbe b) au parafoudre 2.

Cette coordination sera généralement acceptable avec des formes d'ondes courtes si $l >$ quelques mètres (habituellement entre 5 m et 10 m).

Avec des formes d'ondes longues, l'effet de découplage est réduit; par conséquent, il est possible que le parafoudre 2 soit amené à supporter la surtension totale entrante i . Le parafoudre 2 est capable de supporter la contrainte totale, étant donné qu'il a la même conception que le parafoudre 1.

Si $U_{p1} < U_{p2}$: dans ce cas, la courbe a correspond au parafoudre 2 et la courbe b correspond au parafoudre 1, et ainsi la majorité du courant circulera dans le parafoudre 1. Dans ce cas, le courant traversant le second parafoudre sera inférieur au courant incident.

Le critère d'énergie est rempli dans les deux cas car, dans les deux cas, les deux parafoudres ont le même courant admissible.

Ce premier cas a été étudié dans le seul but de comprendre le mécanisme, car le fait d'avoir deux parafoudres ayant la même énergie admissible ne présente aucun intérêt.

- Si les deux varistances ont chacune un courant nominal de décharge différent

Pour cette application, on dispose d'un cas pratique: $I_{n1} > I_{n2}$ et $E_{max1} > E_{max2}$. Par ailleurs, le parafoudre 1 et le parafoudre 2 peuvent avoir des caractéristiques telles que $U_{res1}(I_{n1}) <$

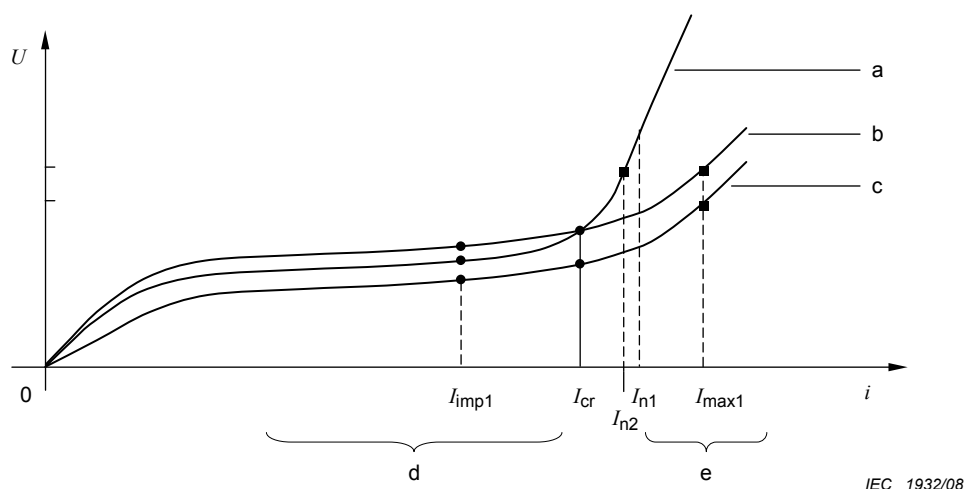
$U_{res2}(I_{n1})$. Dans ce cas, les courbes $U_{res}(I)$ sont telles qu'illustrées à la Figure F.2. Aucune impédance n'est indiquée dans cette figure car il n'est pas facile d'en tenir compte dans le cadre d'une étude analytique. Dans ce cas, on peut observer à partir de la Figure F.2, qu'avec une forme d'onde courte, la coordination sera bonne car la majeure partie du courant circulera à travers le premier parafoudre. Par contre, avec des formes d'ondes longues, la coordination pourrait s'avérer difficile à déterminer. Avec une forme d'onde longue et une amplitude de courant entrant inférieure à celle du courant au point d'intersection (voir Figure F.2) des deux courbes, il est possible que l'on ne soit pas en mesure d'assurer la coordination. Une portion plus grande du courant entrant traverse le parafoudre 2, car la courbe U_{res2} devient inférieure à U_{res1} à ce niveau de courant. La présence d'une inductance devient alors nécessaire entre les deux parafoudres.

Par conséquent, il est nécessaire de comparer les courbes $U_{res}(i)$ avec I , dans l'intervalle allant de $0,1 \times I_{n2}$ à I_{max1} , pour vérifier si les courbes s'entrecroisent, au lieu de comparer seulement $U_{res1}(I_{n1})$ et $U_{res2}(I_{n2})$ (U_{p1} par rapport à U_{p2}) qui sont indiquées dans la documentation technique fournie par le fabricant. La valeur du courant, en ce point d'intersection I_{cr} (éventuel), doit être aussi faible que possible.

Dans ce cas, il existe une forte probabilité pour que le critère d'énergie soit rempli, car plus I_{cr} est faible et plus cette probabilité est élevée. En cas de doute, il est nécessaire de calculer l'énergie traversant le second parafoudre, en tenant compte de l'impédance entre les parafoudres et des formes d'ondes longues. Un tel calcul est difficile à effectuer par une méthode analytique.

Si l'on ne peut pas obtenir ces courbes, en raison d'un manque d'informations ou parce que l'on désire obtenir un résultat simple et rapide, on doit alors comparer les courbes U_{res1} et U_{res2} au même niveau. Dans un tel cas, la condition nécessaire pour assurer une coordination facile et convenable est: $U_{res1}(I_{n2}) < U_{res2}(I_{n2})$. Les courbes satisfaisantes (illustrées à la Figure F.2) remplissent cette condition mais, bien entendu, avec une telle varistance, on obtient peut-être une marge excessive. En outre, il est possible que la varistance ne soit pas en mesure de supporter les contraintes provenant du réseau, telles qu'une surtension temporaire.

De toute manière, dans ce cas, même si le courant circulant dans le second parafoudre est faible, il est possible que le critère d'énergie ne soit pas rempli pour des tensions de choc de longue durée. Il est possible que l'on soit amené à effectuer un calcul supplémentaire de l'énergie dans le second parafoudre. En outre, il est nécessaire de vérifier que la protection du matériel est toujours assurée (car un courant de faible intensité dans le parafoudre 2 peut engendrer une tension élevée due à la non-linéarité de la varistance).



Légende

- a Courbe correspondant au parafoudre 2
- b Courbe correspondant au parafoudre 1 (courbe coupant celle du parafoudre 2)
- c Courbe satisfaisante correspondant au parafoudre 1 (courbe ne coupant pas celle du parafoudre 2)
- d Gamme de courants de choc pour les ondes de longue durée
- e Gamme de courants de choc pour les ondes de courte durée

Figure F.2 – Deux varistances ZnO avec des courants nominaux de décharge différents

F.2.2 Conclusion

Dans tous les cas où il est nécessaire de coordonner deux varistances ZnO, il convient de suivre les cinq étapes de la procédure suivante.

- a) Identifier les surtensions susceptibles de se produire en l'absence de tout parafoudre et faire une distinction entre des formes d'ondes courtes et des formes d'ondes longues.
- b) Choisir le parafoudre 1 capable de supporter cette contrainte. S'il n'est pas possible d'obtenir les informations requises à l'étape a), utiliser un parafoudre de dimensions suffisantes (voir analyse des risques) et obtenir les valeurs I_{max1} et I_{imp1} auprès des fabricants. Considérer alors ces valeurs comme celles données en a).
- c) Il convient alors de choisir le parafoudre 2 selon ses caractéristiques pour assurer la protection souhaitée.
- d) Comparer les courbes $U_{res}(I)$ avec I , dans l'intervalle compris entre $0,1 \times I_{n2}$ et I_{max1} . Déterminer ensuite le point d'intersection I_{cr} . Si ce courant I_{cr} est suffisamment faible (habituellement $0,1 \times I_{n2}$), il n'est pas nécessaire de calculer l'énergie dans le second parafoudre. Le critère d'énergie sera rempli quelle que soit la distance entre les parafoudres. En cas de doute, calculer l'énergie s'écoulant dans le second parafoudre en tenant compte de l'impédance entre les parafoudres et vérifier le critère d'énergie. Si de telles courbes ne sont pas disponibles, choisir alors le parafoudre 2 avec les exigences simplifiées suivantes.

Si le parafoudre 2 a le même courant nominal de décharge: $U_{res1}(I_n) < U_{res2}(I_n)$.

Si le parafoudre 2 a un courant nominal de décharge plus faible: $U_{res1}(I_{n2}) < U_{res2}(I_{n2})$.

Il serait alors plus judicieux de calculer l'énergie dans le parafoudre 2 pour vérifier le critère d'énergie et de vérifier que la protection est toujours assurée.

e) Répéter la procédure jusqu'à ce que l'étape c) permette d'obtenir un résultat satisfaisant.

NOTE 1 Les valeurs de tension (généralement désignée par tension de référence) pour un courant très faible ne sont pas applicables à la coordination.

NOTE 2 Dans tous les cas (avec ou sans varistances ZnO), les considérations relatives à la CEM (compatibilité électromagnétique) exigent que le courant traversant le parafoudre 2 soit aussi faible que possible.

NOTE 3 Les courbes $U_{res}(I)$ sont des valeurs maximales. Il est nécessaire de tenir compte de la variation des caractéristiques, due à des tolérances de fabrication.

NOTE 4 Il est possible de généraliser les études précédentes à plus de deux parafoudres.

F.3 Etude analytique: cas de la coordination entre un parafoudre à éclateur et un parafoudre à varistance ZnO

F.3.1 Généralités

Un autre cas couramment employé consiste à utiliser un éclateur en tant que parafoudre 1 et une varistance ZnO en tant que parafoudre 2. Voir la Figure F.3. Dans ce cas, la coordination est assurée lorsqu'un amorçage se produit avant que le parafoudre 2 ne subisse une contrainte excessive.

Avant cet amorçage, on a

$$U_1 = U_{res2}(i) + L \times di/dt$$

Etant donné que cette valeur $U_{res2}(i)$ n'est généralement pas connue, la formule suivante est utilisée pour obtenir un résultat satisfaisant:

$$U_1 = U_{ref2}(i) + L \times di/dt$$

où U_{ref2} est la tension de référence de la varistance ZnO 2. Cette tension de référence est un paramètre caractérisant la varistance, qui est situé très près du point d'inflexion de la caractéristique U en fonction de i .

Dès que U_1 dépasse la tension dynamique d'amorçage de l'éclateur (appelée U_{dyn} dans la présente annexe), on obtient la coordination, et seule une petite partie du courant circule à travers le second parafoudre. Elle dépend des caractéristiques de la varistance ZnO (parafoudre 2), de la tension dynamique d'amorçage de l'éclateur (parafoudre 1), de la vitesse de montée et de l'amplitude de l'onde de choc incidente, i , et de la distance d , séparant les parafoudres (l'inductance L fait partie de l'impédance Z car, dans ce cas, on suppose que R est négligeable).

F.3.2 Exemple de calcul des valeurs requises estimées pour une inductance de découplage entre un éclateur et une varistance

La réduction d'espace, rencontrée par exemple dans une station cellulaire d'émission-réception radio moderne, a permis de constater qu'un parafoudre de type varistance à oxyde métallique (MOV), situé en aval, est susceptible de rétablir le niveau d'une tension transitoire à un niveau bien inférieur à la tension d'amorçage d'un parafoudre à éclateur en amont. Ceci empêchera le fonctionnement de l'éclateur et permettra à toute l'énergie incidente d'être transmise au parafoudre de type varistance à oxyde métallique. Dans un espace plus grand, la distance de câblage entre les parafoudres sera plus importante, et pourra ainsi garantir une inductance suffisante pour assurer l'actionnement de l'éclateur.

Il reste toujours une possibilité pour que la tension transitoire incidente se soit dispersée par des trajets parallèles à un point tel que la tension ne suffit plus à amorcer l'éclateur. Dans ce cas, le parafoudre situé en aval doit avoir des caractéristiques assignées suffisantes pour absorber individuellement l'énergie totale.

A des niveaux d'énergie plus élevés, le non-fonctionnement de l'éclateur permettra à une quantité excessive d'énergie d'atteindre et de détruire le parafoudre situé en aval. On réalise la coordination en garantissant la présence d'une impédance de découplage en série suffisante pour provoquer l'actionnement de l'éclateur, à tous les niveaux d'énergie situés au-dessus de la limite du parafoudre situé en aval.

La valeur d'inductance requise pour assurer la coordination peut être déterminée facilement. Premièrement, il est nécessaire de connaître les paramètres de l'éclateur. Les éclateurs fonctionnent généralement en-dessous de 4 kV et en moins de 200 ns.

Deuxièmement, il convient de connaître les paramètres du parafoudre situé en aval. Un appareil caractéristique, prévu pour une tension assignée de 275 V en courant alternatif, devrait commencer à rétablir le niveau de tension à environ 430 V. Il devrait avoir un courant I_n de 5 kA, fondé sur un essai de classe II utilisant une impulsion de 8 μ s à 20 μ s.

Cependant, il faut se souvenir que l'éclateur est nominalelement prévu pour subir des essais de classe I utilisant une impulsion de 10 μ s à 350 μ s ou une autre impulsion de choc présentant un temps de descente de longue durée. La valeur nominale du courant de crête du parafoudre situé en aval doit être réduite pour tenir compte de l'énergie supplémentaire liée à cette classe d'impulsion. Le facteur de réduction est supposé être de 4:1. Par conséquent, la valeur nominale du courant de crête est réduite de 5 kA à 1,25 kA. Un temps de montée de 10 μ s engendre un di/dt de 125 A/ μ s.

L'inductance requise pour assurer un fonctionnement fiable de l'éclateur peut à présent être calculée à partir de l'équation:

$$U = L \times di/dt + I \times R$$

où

U est la tension d'amorçage de l'éclateur;

di/dt est la vitesse de montée de l'impulsion incidente;

$I \times R$ est la chute de tension aux bornes du parafoudre en aval (il convient de noter que R est une valeur non linéaire).

Dans ce cas

$$L = \frac{U - I \times R}{di/dt}$$

Dans la mesure où l'éclateur amorce en moins de 200 ns, le courant circulant dans le parafoudre en aval sera

$$I = 0,2/10 \times 1\ 250\ \text{A} = 25\ \text{A}$$

La tension $I \times R$ devrait être de l'ordre de 600 V

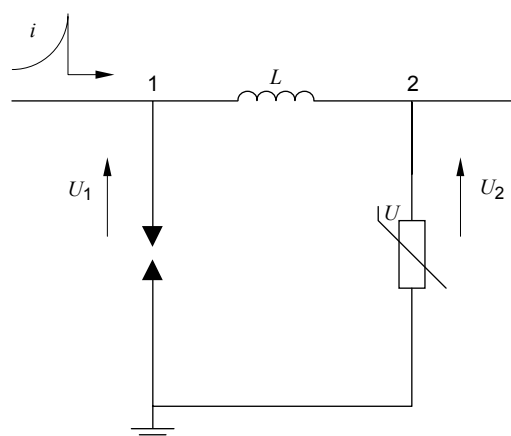
Par conséquent

$$L = \frac{4\ 000 - 600}{125 \times 10^{-6}}$$

ou

$$L = 27,2\ \mu\text{H}$$

Cette inductance peut être une simple valeur unique localisée, une longueur de câble d'alimentation de 27,2 m, en supposant une inductance de 1 μ H par mètre linéaire, ou elle peut être une combinaison entre une longueur de câble et une inductance de plus faible valeur.



IEC 1933/08

Légende

L Inductance

Figure F.3 – Exemple de coordination d'un parafoudre à éclateur et d'un parafoudre à varistance ZnO

Cet exemple permettra d'obtenir des conditions générales pour étudier ce type de coordination.

F.3.3 Conclusion

Une fois le parafoudre 1 (à éclateur) choisi, il est nécessaire de choisir le parafoudre 2 de manière à remplir l'exigence suivante:

- pour une onde de choc incidente correspondant à une onde d'essai de classe I:

$$U_{\text{dyn}} < U_{\text{ref}2} + L \times I_{\text{crête}2}/10$$

- pour une onde de choc incidente correspondant à une onde d'essai de classe II:

$$U_{\text{dyn}} < U_{\text{ref}2} + L \times I_{\text{max}2}/8$$

Ces règles donnent un résultat satisfaisant. Lorsque des valeurs plus faibles de L sont exigées, il est nécessaire de procéder à une simulation sur ordinateur, pour vérifier si la coordination est obtenue.

NOTE D'autres cas peuvent donner des résultats plus sévères, notamment lors de l'utilisation de fronts d'ondes de plus longue durée actuellement à l'étude. Le CE 81 de la CEI étudie actuellement une durée de front plus importante: 100 μs .

F.4 Etude analytique: coordination générale de deux parafoudres

L'étude du cas associant deux varistances, ou du cas associant un éclateur et une varistance ZnO, montre bien la complexité du problème de coordination. En outre, sachant que les courbes u fonction de i sont rarement connues et qu'en réalité, il est nécessaire de tenir compte de tolérances élargies, il est clair que des études analytiques ne peuvent concerner que des cas simples. Dès que le calcul de l'énergie traversant le second parafoudre s'avère nécessaire, il est plus facile de procéder à une simulation. Le principal intérêt d'une telle méthode d'analyse réside dans le fait qu'elle permet à l'utilisateur de mieux comprendre les phénomènes qui se produisent.

Quelle que soit la technologie utilisée pour réaliser les parafoudres, les règles générales données ci-dessus, et plus particulièrement le critère d'énergie mentionné en 6.2.6, sont toujours applicables.

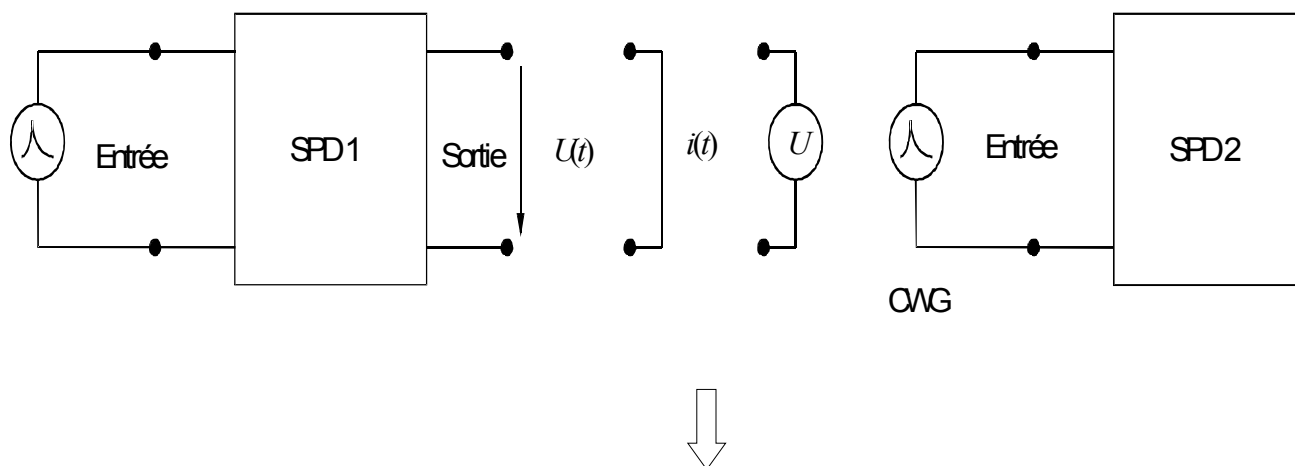
En général, l'obtention d'une coordination acceptable exige du fabricant ou de l'utilisateur qu'il procède à des simulations ou à des essais, ou qu'il emploie la méthode simplifiée présentée ci-dessous.

Il est possible qu'un matériel contienne un parafoudre dont la caractéristique n'est pas connue. Etant donné que le matériel en question est susceptible d'être remplacé pendant la durée de vie de l'installation, il convient de veiller à ce que le matériel du parafoudre ne soit pas soumis à des contraintes excessives en raison d'un manque de coordination.

F.5 Méthode d'énergie de non-fonctionnement (LTE)

F.5.1 Généralités

La coordination avec les paramètres d'une impulsion normale, comme décrite dans la CEI 61312-4, est une procédure permettant de choisir et de coordonner des parafoudres. Le principal avantage offert par cette méthode réside dans le fait qu'elle permet de considérer un parafoudre comme une boîte noire (voir Figure F.4). Ainsi, pour une impulsion de choc donnée appliquée à l'entrée, on peut déterminer (principe de l'« énergie de non-fonctionnement ») non seulement la tension en circuit ouvert, mais également un courant de sortie (par exemple, dans un court-circuit). Ces caractéristiques de sortie sont converties en une contrainte équivalente d'« onde à combinaison 2 Ω » (tension en circuit ouvert 1,2/50, courant de court-circuit 8/20). L'avantage de cette méthode réside dans le fait qu'il n'est pas nécessaire de connaître en détail la conception interne des parafoudres.



IEC 373/02

Conversion en une impulsion normale comparable – 1,2/50, 8/20 avec $Z_1 = 2 \Omega$.

$$U_{oc} \text{ parafoudre 1/sortie} \leq U_{oc} \text{ parafoudre 2/entrée}$$

Légende

U Tension de charge

Figure F.4 – LTE – Méthode de coordination avec les paramètres d'une impulsion normale

Le but de cette méthode de coordination est de rendre les valeurs d'entrée d'un parafoudre 2 (par exemple, courant de décharge) comparables avec les valeurs de sortie d'un parafoudre 1 (par exemple, niveau de protection en tension).

S'il s'agit d'une protection échelonnée, il est nécessaire de considérer que l'impulsion hybride équivalente d'entrée qui peut être déchargée (sans détérioration) par le parafoudre suivant est supérieure ou égale à l'impulsion hybride équivalente de sortie du parafoudre précédent.

Pour obtenir une coordination fiable, l'impulsion hybride équivalente doit être impérativement déterminée dans le pire des cas de contrainte (I_{\max} , U_{\max} , énergie de non-fonctionnement).

Le cas le plus défavorable pour la conception de l'élément de découplage est donné par un court-circuit. Mais cette méthode ne convient pas pour la coordination. Il est plus réaliste que le cas le plus défavorable soit donné par une «tension côté charge» (ci-après désignée par «contre-tension»).

Le parafoudre situé en aval d'un éclateur consiste habituellement en une varistance ZnO. La tension résiduelle d'un tel parafoudre est, dans tous les cas, supérieure à la valeur de crête de la tension d'alimentation nominale (par exemple, dans un réseau alternatif présentant une tension nominale de 240 V, la tension d'alimentation de crête est égale à $\sqrt{2} \times 240 = 340$ V, ce qui représente une valeur inférieure à la tension de référence des parafoudres installés). Cette tension d'alimentation nominale de crête correspond à la tension résiduelle la plus faible possible des parafoudres. Par conséquent, cette tension de crête peut être prise comme la contre-tension la plus faible possible. Si l'on utilise le courant dans un court-circuit, au lieu de supposer la présence d'une contre-tension, cela donnerait lieu à un surdimensionnement de l'élément de découplage.

NOTE 1 Cette méthode a donné des résultats satisfaisants lorsque les caractéristiques d'un parafoudre 1 sont si différentes de celles d'un parafoudre 2 que les conditions d'impulsions de choc sur le parafoudre 2 correspondent à des quasi-conditions d'un courant appliqué, par exemple dans le cas de la coordination entre un éclateur et une varistance à oxyde métallique, cette condition est remplie.

NOTE 2 Les restrictions liées à l'utilisation de la méthode sont les suivantes:

- pour assurer l'obtention d'un résultat satisfaisant, il convient que l'élément de découplage soit inclus dans la méthode en tant que partie intégrante du second parafoudre;
- pour assurer l'obtention d'un résultat satisfaisant, il convient que la «contre-tension» proposée soit égale à zéro dans le cas d'un composant de coupure appartenant au second parafoudre;
- lorsque le second parafoudre contient un composant de coupure, il y a une possibilité pour que le résultat soit sous-estimé à cause d'un amorçage de ce composant, ce qui n'est en fait pas réaliste mais uniquement dû à la méthode. En pareil cas, il est nécessaire de faire bien attention lors de la mise en application de la méthode;
- il convient de considérer que la forme d'onde de l'impulsion de choc injectée à l'entrée de l'installation présente une forme d'onde de courant et une forme d'onde de tensions égales à (10/350 ou 8/20). L'amplitude du courant de choc i est généralement connue. L'amplitude d'une tension de choc U dépend de l'impédance de choc du réseau;
- il convient que l'étude tienne compte des tolérances sur les caractéristiques des parafoudres.

F.5.2 Méthode

La méthode exposée ci-dessous donne généralement une valeur satisfaisante pour l'élément de découplage (impédance) entre les deux parafoudres. Cela signifie que, si l'on place une telle impédance entre les deux parafoudres, la coordination agira généralement mieux que celle prédite par le calcul.

La méthode: fondamentalement, cette méthode consiste à représenter la sortie de chaque parafoudre comme un générateur combiné (CWG) équivalent, défini par une tension à vide U_{oc} 1,2/50 et un courant de court-circuit I_{sc} 8/20, l'impédance du générateur étant égale à 2Ω ($U_{oc} = 2 \times I_{sc}$).

Les parafoudres vérifiés conformément aux essais de classe III, sont déjà vérifiés par un tel générateur combiné. Dans le cas de parafoudres vérifiés conformément aux essais de classe II, il est nécessaire de considérer que $I_{sc} = I_{max}$.

Le parafoudre situé à l'avant peut être vérifié conformément aux essais de classe I, dans le cas où la foudre atteint directement la structure, ou conformément aux essais de classe II.

La tension, à la sortie de chaque parafoudre, présentera en général une forme d'onde qui n'est pas directement liée aux formes d'ondes 1,2/50 et 8/20. Il est alors nécessaire de normaliser les formes d'ondes réelles, afin de les convertir en ondes 1,2/50 et 8/20.

Il est possible d'y parvenir en calculant les valeurs suivantes:

valeur de crête de $u = \hat{u}$, $\int u \, dt$ et $\int u^2 \, dt$

valeur de crête de $i = \hat{i}$, $\int i \, dt$ et $\int i^2 \, dt$

NOTE Il convient que les unités utilisées dans les formules et les tableaux soient homogènes.

Ces valeurs sont ensuite utilisées dans le Tableau F.1.

Tableau F.1

Tension	\hat{u}	$\int u \, dt$	$\sqrt{\int u^2 \, dt}$
Courant	\hat{i}	$\int i \, dt$	$\sqrt{\int i^2 \, dt}$

Pour un générateur combiné ayant une amplitude de 1 V (Tableau F.2), on obtient le tableau suivant:

Tableau F.2

Tension	1	70×10^{-6}	6×10^{-3}
Courant	0,5	12×10^{-6}	2×10^{-3}

Ainsi, si l'on divise chaque cellule du Tableau F.1 par la cellule équivalente du Tableau F.2, on obtient un nouveau Tableau F.3:

Tableau F.3

Tension	\hat{u}	$\int u \, dt / (70 \times 10^{-6})$	$\sqrt{\int u^2 \, dt / (6 \times 10^{-3})}$
Courant	$\hat{i} \times 2$	$\int i \, dt / (12 \times 10^{-6})$	$\sqrt{\int i^2 \, dt / (2 \times 10^{-3})}$

La valeur maximale dans le Tableau F.3 donne la valeur $U_{oc} (CWG)$, la valeur équivalente de U_{oc} du générateur combiné correspondant à la sortie du parafoudre.

Dès que le parafoudre situé en aval a été vérifié conformément aux essais de classe III avec un générateur combiné ayant une tension à vide $U_{oc \text{ essai}}$ (ou un générateur combiné équivalent dans le cas d'essais de classe II), il est possible de dire immédiatement si la coordination est correcte ou non. Pour cela, il suffit de vérifier que $U_{oc \text{ essai}} > U_{oc \text{ CWG}}$.

La valeur à la sortie du parafoudre, pour une contrainte donnée à l'entrée, doit être calculée à l'aide de logiciels de simulation. Il n'est pas nécessaire de les calculer chaque fois, car il est

possible que ces valeurs soient calculées par le fabricant lui-même. Pour chacun de ses produits, il peut calculer le générateur combiné équivalent de sortie pour une contrainte donnée (I_{imp} pour des essais de classe I, ou I_{max} pour des essais de classe II, ou $U_{oc\ max}$ du générateur combiné pour des essais de classe III), en faisant attention aux tolérances applicables aux caractéristiques du parafoudre ainsi qu'à toute zone aveugle (parfois, la contrainte la plus importante à la sortie du parafoudre n'est pas donnée par les valeurs maximales I_{imp} , I_{max} et $U_{oc\ max}$ mais pour des valeurs plus faibles).

Annexe G (informative)

Exemples d'utilisation

NOTE La présente annexe présente des systèmes hypothétiques pour des installations domestiques ou industrielles, ainsi que pour des pylônes de relais hertziens où sont installés des parafoudres. La présente annexe est destinée à fournir des informations sur le choix des parafoudres dans des situations limitées pour illustrer les principes d'utilisation contenus dans la présente norme. Elle n'a pas pour vocation de traiter les conditions particulières susceptibles d'être rencontrées dans toutes les installations ou dans tous les réseaux.

G.1 Utilisation domestique

Réseau MT: ligne aérienne de 10 km.

Réseau BT (230/400 V): ligne aérienne de 1 000 m; câble souterrain de 200 m.

N_g : 2 coups de foudre/km²/an (voir 4.1.1).

Emplacement de la structure à protéger: sur une surface plane.

Structure de l'installation électrique: installation protégée à l'entrée par un dispositif de protection à courant différentiel-résiduel (DDR) de type S (tenue: 3 kA 8/20, voir 6.2.4.3). Le courant de court-circuit maximal admissible à l'entrée de l'installation est de 3 kA. Il y a un tableau électrique principal à l'entrée du bâtiment (rez-de-chaussée) et un tableau électrique secondaire au premier étage.

Mise à la terre de la structure à protéger: 50 Ω .

Schéma de mise à la terre du réseau BT: schéma TT. Une phase et le neutre distribués.

Nature des appareils à protéger: machine à laver électronique, ordinateur, alarme à l'entrée, magnétoscope et téléviseur, etc.

Compte tenu de l'analyse des risques (voir Article 7), il y a probablement intérêt à utiliser des parafoudres (valeur élevée de N_g , lignes aériennes du côté MT et BT du transformateur, appareils électroniques, etc.).

A cause des lignes aériennes, on prévoit des courants de foudre moyens \Rightarrow courant nominal de décharge (I_n) \geq 5 kA 8/20 par fil au niveau de l'entrée.

A l'entrée du bâtiment, il y a une alarme à protéger (matériel sensible) $\Rightarrow U_p \leq 1,5$ kV. Il est possible de remplir cette condition en utilisant un parafoudre à un accès (voir 3.25) vérifié par des essais de classe II avec $U_p=1,5$ kV.

A l'entrée du bâtiment, le courant de court-circuit maximal admissible est de 3 kA en valeur efficace \Rightarrow tenue du parafoudre aux courts-circuits \geq 3 kA en valeur efficace (voir 5.5.4). Pour cela, le fabricant recommande d'utiliser un fusible ou les caractéristiques de coupure en court-circuit du disjoncteur du dispositif de protection à courant différentiel-résiduel (protection de secours). Si un DDR de type S est utilisé à l'entrée, la continuité du service n'est pas assurée pour une onde de choc incidente supérieure à 3 kA 8/20.

Aucune protection supplémentaire contre les contacts indirects n'est nécessaire à cause du DDR. Un déconnecteur thermique est incorporé dans le parafoudre proprement dit (voir 6.3.1).

Dans la mesure où il s'agit d'un schéma TT et afin d'éviter une contrainte trop élevée entre la phase et le neutre: il est recommandé d'utiliser un parafoudre possédant trois modes de protection (phase à neutre, neutre à terre et phase à terre; voir 6.1.1).

En ce qui concerne les autres dispositifs à protéger, il faut uniquement utiliser une protection entre la phase et le neutre, car la terre n'est reliée ni à l'un ni à l'autre, sauf pour la machine à laver où la terre est présente pour des raisons de sécurité. Dans ce cas, une protection entre phase et terre et entre neutre et terre peut s'avérer nécessaire.

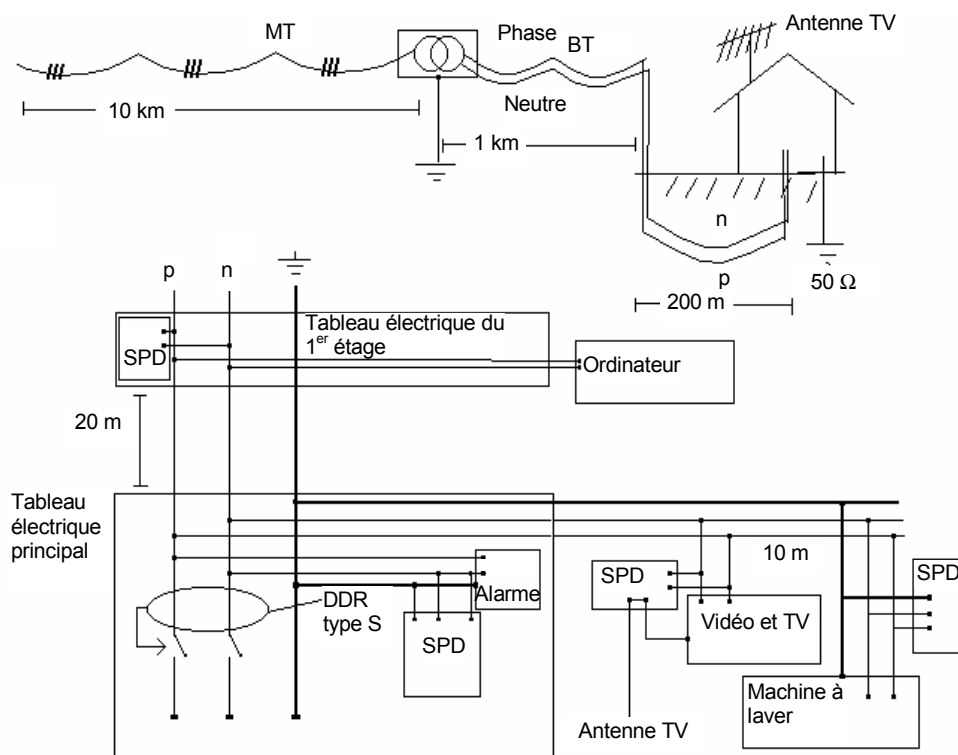
NOTE La présence d'une protection supplémentaire peut s'avérer nécessaire si l'antenne de télévision est reliée à la terre.

Dans la mesure où la distance entre le parafoudre placé à l'entrée et les autres dispositifs, notamment ceux installés au premier étage, est grande (respectivement 10 m et 20 m), la présence d'autres parafoudres est nécessaire à proximité des appareils à protéger (6.1.2). Il convient de placer un parafoudre à proximité de la machine à laver, un autre à proximité du magnétoscope et du téléviseur et enfin, d'en raccorder un au tableau de distribution du premier étage, mais qui pourrait être directement relié à la prise informatique (faible distance entre ce panneau et l'ordinateur).

Il convient que les autres parafoudres détectent un courant de choc plus faible. Ainsi, il suffira d'utiliser des parafoudres qui satisfont aux exigences des essais de classe II avec $I_n = 2$ kA. Une valeur de $U_p = 0,8$ kV est alors proposée dans le catalogue du fabricant.

La distance de 20 m est suffisante pour assurer le découplage entre le parafoudre placé à l'entrée et le parafoudre situé au premier étage. Par contre, la distance de 10 m entre le parafoudre placé à l'entrée et les autres parafoudres placés au rez-de-chaussée ne suffit pas à assurer un découplage adéquat en raison de la faible valeur de $U_p = 0,8$ kV (voir 6.2.6). Il est alors préférable de choisir un autre parafoudre avec $U_p = 1,5$ kV, par exemple pour les autres parafoudres installés au rez-de-chaussée.

Pour ces parafoudres, le courant de court-circuit sur leur lieu d'installation est faible et le fabricant a incorporé les déconnecteurs nécessaires (thermiques et de court-circuit). Voir la Figure G.1.



IEC 374/02

Figure G.1 – Installation domestique

G.2 Utilisation industrielle

Réseau MT: ligne aérienne 10 km

Réseau BT (230/400 V): 2 sections de câbles souterrains de 100 m

$N_g = 0,5$ coup de foudre/km²/an (Voir 4.1.1).

Emplacement de la structure à protéger: sur une surface plane

Structure de l'installation électrique:

Transformateur MT/BT à l'intérieur du bâtiment principal (MB, *main building*)

Réseau de distribution TN-C BT alimentant un tableau de distribution principal (MDB, *main distribution board*) triphasé au niveau du bâtiment principal. Un réseau TN-C fournit une alimentation triphasée à un bâtiment séparé B1, et un réseau TN-C-S fournit une alimentation triphasée à un bâtiment B2. B1 et B2 sont situés à environ 100 m du bâtiment principal.

Matériel à protéger:

Bâtiment principal – Alimentation (transformateur MT/BT) de l'usine de fabrication industrielle, y compris installation de conditionnement d'air, éclairage d'usine, régulateurs de moteurs industriels, entraînements à vitesse variable et tours à commande numérisée (CNC, *computer numerically controlled*).

Bâtiment B1 – Matériel général de bureau, y compris photocopieurs, télécopiers, réseau informatique local, standard téléphonique (PABX), situés à proximité du tableau de distribution 1.

Bâtiment B2 – Matériel de commande de processus, y compris automates programmables (PLC, *programmable logic controllers*) pour le système de gestion de l'installation, de télésurveillance et d'acquisition de données (SCADA, *supervisory control and data acquisition*), les matériels à bascule, les moniteurs, généralement situés à environ 50 m du tableau de distribution 2.

Mise à la terre des structures: La mise à la terre pour les bâtiments principaux est mesurée pour être égale à 11Ω et la terre locale pour les bâtiments B1 et B2 est égale à 49Ω et 51Ω respectivement, étant donné une résistance totale de l'installation de mise à la terre d'environ 7Ω lorsqu'ils sont reliés par le conducteur TNC PE. Il y a une barre d'équipotentialité EB (*Equipotential Bonding bar*), EB1 et EB2 dans chacun des bâtiments MB, B1 et B2, respectivement.

Analyse des risques (voir Article 7): L'installation est raisonnablement non exposée à l'influence des coups de foudre directs, mais il peut être nécessaire que le transformateur MT/BT lui-même soit protégé sur le côté MT à l'aide de parafoudres MT (en raison de l'utilisation d'une ligne aérienne MT avec une exposition intrinsèquement élevée). Les courants de choc peuvent néanmoins circuler dans l'installation de mise à la terre locale en raison de l'augmentation du potentiel de terre du transformateur, et des parafoudres BT sont nécessaires sur le côté BT du transformateur, ainsi qu'au niveau des entrées dans les bâtiments B1 et B2.

Philosophie de la protection: Une analyse des risques classerait généralement la nécessité de fonctionnements continus d'une installation industrielle de ce type comme étant de « nature critique ». Il convient d'utiliser une protection répartie contre les surtensions dans l'ensemble de l'installation, afin de fournir une protection du point d'entrée primaire au niveau du tableau de distribution principal, ainsi qu'au niveau des tableaux de distribution distincts DB1 et DB2 dans chacun des bâtiments B1 et B2.

Bâtiment principal – Les parafoudres sont reliés à l'intérieur du tableau de distribution principal entre chaque phase et la barre d'équipotentialité principale. Il convient de vérifier ces parafoudres BT conformément aux essais de classe II. Par exemple, un courant de décharge nominal I_n de 10 kA (mêmes caractéristiques assignées que le parafoudre MT) avec un niveau de protection en tension $U_{p1} \leq 1,2$ kV, peut être utilisé à cet emplacement, afin d'assurer une coordination avec les parafoudres supplémentaires utilisés en aval, voir ci-dessous.

Il est nécessaire de coordonner la tenue aux courts-circuits (et la valeur de coupure assignée du courant de suite en cas de parafoudres du type à coupure de tension) des parafoudres avec le courant de court-circuit présumé au niveau du tableau de distribution principal. Ceci peut être réalisé à l'aide de déconnecteurs qui peuvent être soit des dispositifs externes de protection contre les surintensités connectés en série spécifiés par le fabricant (tels que des fusibles, des disjoncteurs, ...), soit des dispositifs situés à l'intérieur du parafoudre.

Il existe divers types de matériels à l'intérieur du bâtiment, avec différentes capacités de tenue en tension, y compris des matériels sensibles (tension de tenue $U_w = 1,5$ kV, conformément à la CEI 60664-1). Le matériel est situé à 30 m du parafoudre installé à l'entrée de l'installation. Ceci peut alors entraîner des oscillations (voir 6.1.4).

Dans un tel cas, le niveau de tension au niveau du matériel peut avoir une valeur maximale de $2 * U_{p1}$, U_{p1} étant le niveau de protection du parafoudre à l'entrée. Dans cet exemple, qui décrit une situation du cas le plus défavorable, il convient que U_{p1} soit inférieur à $1,5 \text{ kV} * 0,8/2$ (c'est-à-dire 600 V), conformément à 6.1.4. En raison de surtensions temporaires éventuelles, un niveau de protection si bas peut augmenter la probabilité de défaillance de ce parafoudre, et il peut être préférable de choisir un parafoudre à l'entrée ayant une valeur de U_p plus élevée (moins sensible aux surtensions temporaires), par exemple $U_{p1} = 2,5$ kV. Dans un tel cas, un parafoudre supplémentaire avec $U_{p2} \leq 1\,200$ V ($0,8 * U_w$), est exigé en face du matériel. La division par 2 n'est plus nécessaire, étant donné que l'on se trouve juste en face du matériel sensible.

Si un parafoudre d'une valeur de U_{p1} inférieure est utilisé ($U_{p1} \leq 600$ V), le second parafoudre n'est pas nécessaire. Ce processus concerne la tenue en tension U_w du matériel (coordination de l'isolement).

Un niveau de protection en tension U_p inférieur (soit U_{p2} si deux parafoudres sont utilisés, soit U_{p1} si un seul parafoudre est utilisé) peut être nécessaire pour éviter un dysfonctionnement du matériel (voir note en 6.1.4, considération relative à l'immunité aux chocs).

La longueur des câbles reliant le parafoudre 1 à la barre d'équipotentialité ne satisfait pas aux critères de 6.1.3. C'est la raison pour laquelle un conducteur supplémentaire entre le parafoudre 1 et le conducteur PEN est utilisé. La longueur des câbles reliant le parafoudre 2 au conducteur PEN satisfait aux critères de 6.1.3, et donc aucun conducteur supplémentaire n'est utilisé.

La protection des circuits de données et de commande est fondée sur la CEI 61643-22.

Bâtiment 1 – Etant donné que la distance entre B1 et le bâtiment principal est de 100 m, il convient que les parafoudres de classe d'essais II (parafoudre 3) soient reliés entre chaque phase et la barre d'équipotentialité. Supposons qu'un courant de décharge nominal I_n de 5 kA et un niveau de protection en tension $U_p \leq 1$ kV soient utilisés dans cet emplacement (une valeur ≤ 1 kV est nécessaire en raison des matériels sensibles installés en B1. Etant donné que le bâtiment est petit et que le matériel est situé à proximité du tableau de distribution 1, il n'est pas nécessaire de tenir compte de l'effet de doublement de tension, voir 6.1.4). Ceci concerne la tenue en tension U_w du matériel (coordination de l'isolement). Un niveau de protection en tension U_p inférieur peut être nécessaire pour éviter un dysfonctionnement du matériel.

La longueur des câbles reliant le parafoudre 3 à la barre d'équipotentialité 1 satisfait aux critères de 6.1.3, et donc aucun conducteur supplémentaire n'est utilisé.

La protection des circuits de données et de commande est fondée sur la CEI 61643-22.

Bâtiment 2 – Comme B1, B2 est situé à environ 100 m du bâtiment principal, et il convient que les parafoudres (parafoudre 4) soient reliés entre chaque phase et la barre d'équipotentialité du conducteur PE / du conducteur PEN. Il convient de vérifier ces parafoudres BT conformément aux essais de classe II. Supposons qu'un courant de décharge nominal I_n de 5 kA et un niveau de protection en tension $U_p \leq 1,2$ kV soient utilisés dans cet emplacement.

Il existe divers types de matériels à l'intérieur du bâtiment, avec différentes capacités de tenue en tension, y compris des matériels sensibles (tension de tenue $U_w = 1,5$ kV, conformément à la CEI 60664-1). Le matériel est situé à 50 m du parafoudre installé à l'entrée. Ceci peut entraîner des oscillations (voir 6.1.4). Dans une telle situation du cas le plus défavorable, le niveau de tension au niveau du matériel aura une valeur maximale de $2 * U_{p1}$, U_{p1} étant le niveau de protection du parafoudre à l'entrée. Conformément à 6.1.4, il convient que U_{p1} soit inférieur à $1,5 \text{ kV} * 0,8/2$ (c'est-à-dire 600 V). Les considérations relatives aux surtensions temporaires s'appliquent comme dans le bâtiment 1. Le parafoudre situé à l'entrée (parafoudre 4) peut avoir une valeur de U_{p1} atteignant 1,2 kV. Dans un tel cas, un parafoudre supplémentaire (parafoudre 5) avec une valeur de U_{p2} inférieure ou égale à 1 200 V ($0,8 * U_w$), est nécessaire en face du matériel Eq. Si une valeur de U_{p1} inférieure est utilisée ($U_{p1} \leq 600$ V), le second parafoudre n'est pas nécessaire. Ce processus concerne la tenue en tension U_w du matériel (coordination de l'isolement). Un niveau de protection en tension inférieur U_p (soit U_{p2} si deux parafoudres sont utilisés, soit U_{p1} si un seul parafoudre est utilisé) peut être nécessaire pour éviter un dysfonctionnement du matériel (voir note en 6.1.4).

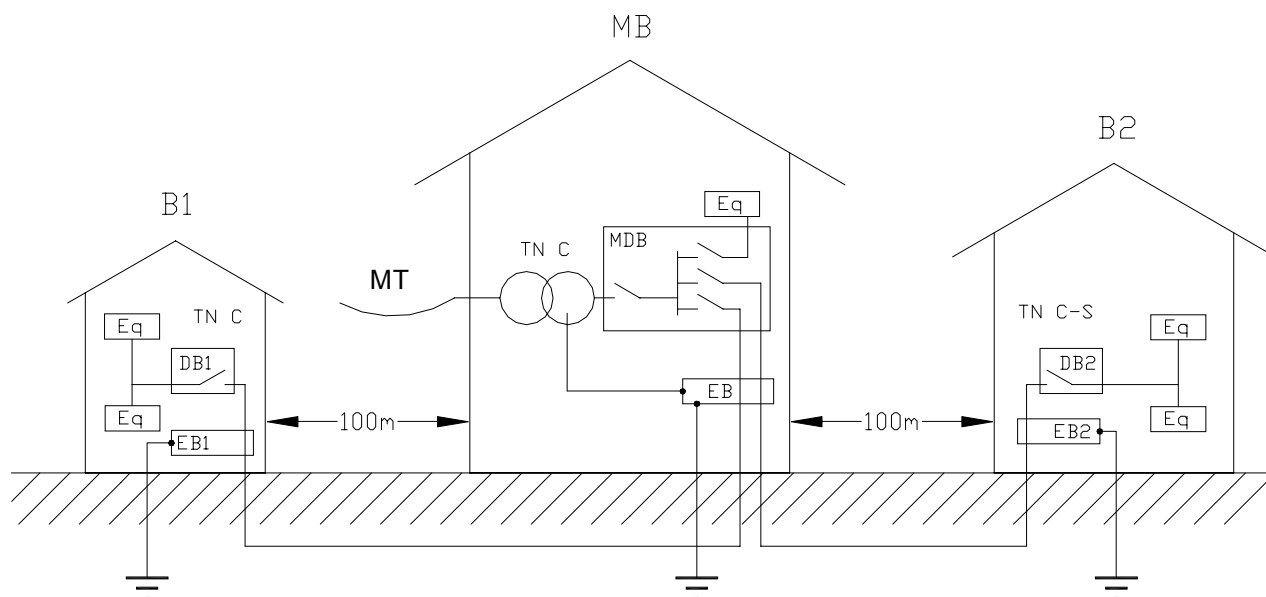
Si un parafoudre supplémentaire est nécessaire à proximité du matériel portable (parafoudre 5), il convient qu'il fournisse une protection entre chaque phase et le neutre et

entre le neutre et la terre de protection. Ceci est nécessaire afin de couvrir le risque d'augmentation du potentiel dans le conducteur de neutre, résultant du matériel situé à 50 m de la liaison neutre-terre de protection dans le tableau de distribution 2 – voir Figure K.5.

La longueur des câbles reliant le parafoudre 4 à la barre d'équipotentialité 2 et la longueur des câbles reliant le neutre du parafoudre 5 à la terre de protection satisfont aux critères de l'article 6.1.3, et donc aucun conducteur supplémentaire n'est utilisé.

La protection des circuits de données et de commande est fondée sur la CEI 61643-22.

Voir les Figures G.2 et G.3.

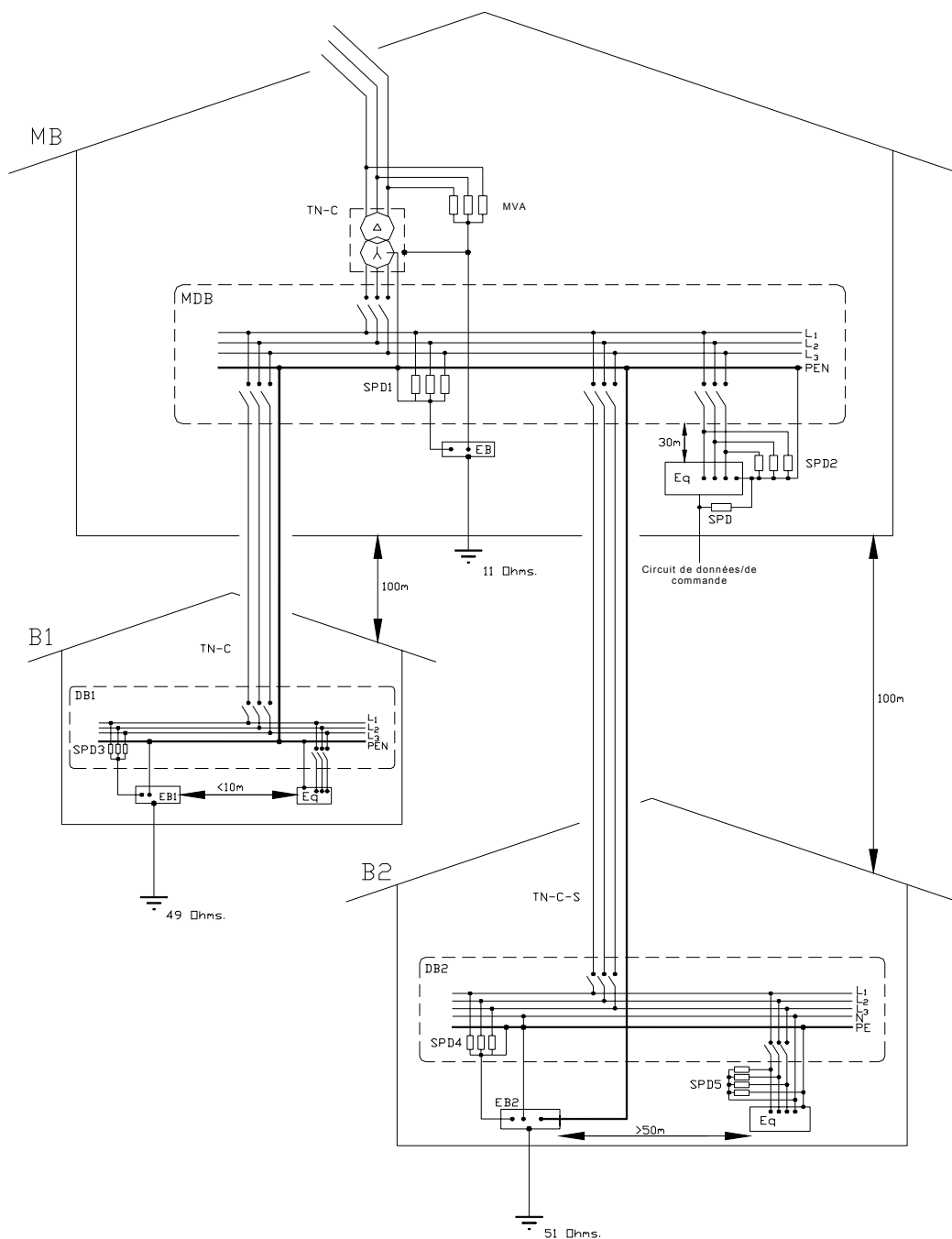


IEC 1934/08

Légende

- B1, B2 Bâtiment 1, 2
- MB Bâtiment principal
- EB Barre d'équipotentialité
- MDB Tableau de distribution principal
- DB Tableau de distribution (*distribution board*)
- Eq Charge du matériel

Figure G.2 – Installation industrielle



Légende

IEC 1935/08

- B1, B2 Bâtiment 1, 2
- MB Bâtiment principal
- EB Barre d'équipotentialité
- MDB Tableau de distribution principal
- Eq Charge du matériel
- PB Tableau de contrôle (*panel board*)
- MVA Parafoudre moyenne tension (*medium voltage surge arrester*)

Figure G.3 – Circuits de l'installation industrielle

G.3 Présence d'un système de protection contre la foudre

Relais hertziens équipés d'un système de protection contre la foudre

Réseau MT:	ligne aérienne 10 km
Réseau BT:	ligne aérienne 500 m
N_g :	6 coups de foudre/km ² /an
Emplacement de la structure à protéger:	au sommet d'une colline
Structure de l'installation électrique:	le neutre est relié à la terre au pied de la colline

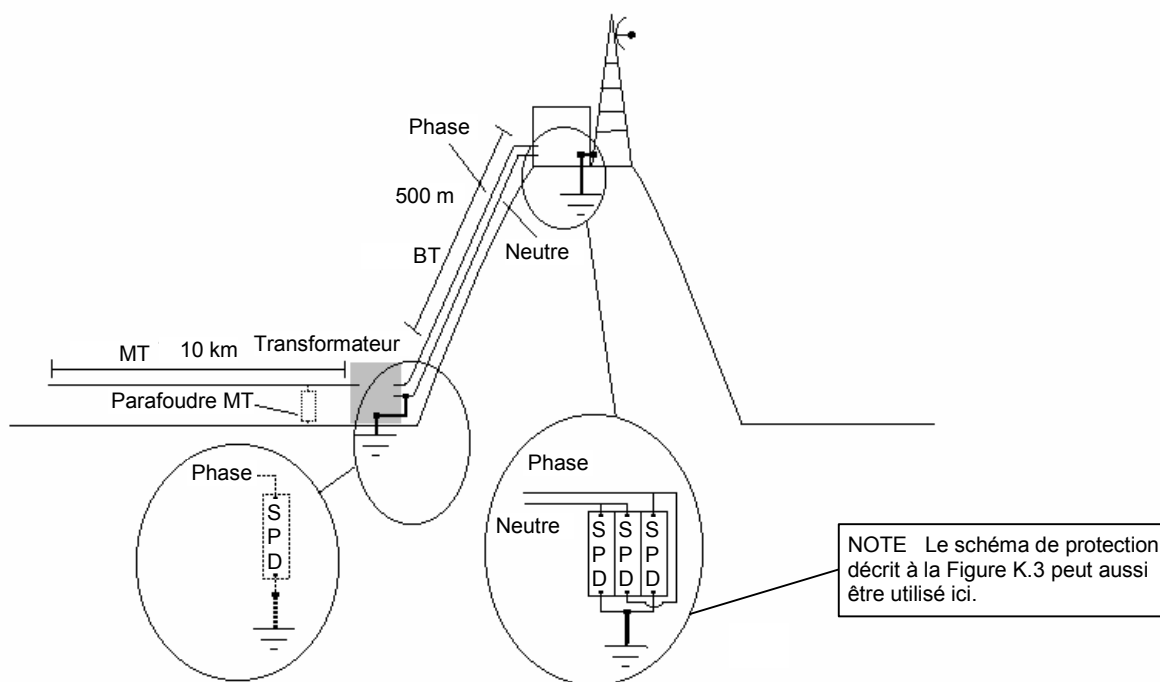
Equipements reliés à la terre locale

Mise à la terre de la structure à protéger:	10 Ω
Mise à la terre du transformateur MT/BT:	10 Ω
Schéma de mise à la terre du réseau BT:	schéma TT; une phase et le neutre distribués
Nature des appareils à protéger:	matériel électronique

Compte tenu de la nature critique de l'installation (analyse des risques, voir Article 7), il est nécessaire d'utiliser des parafoudres qui ont été vérifiés conformément aux essais de classe I. Les parafoudres sont reliés entre la phase et la terre locale, entre le neutre et la terre locale et entre la phase et le neutre. Dans la mesure où le calcul pour la répartition du courant n'a pas été effectué, il convient de soumettre ces parafoudres aux essais conformément aux essais de classe I et qu'ils aient un courant maximal admissible de 25 kA, étant donné qu'ils devront décharger une partie significative du courant de foudre direct frappant la tour du relais hertzien (voir Annexe D). Il est possible d'utiliser un autre parafoudre installé à l'opposé de la ligne aérienne pour protéger le transformateur avec les mêmes caractéristiques assignées de courant. Il convient que le niveau de protection du parafoudre à proximité du matériel sensible soit inférieur ou égal à 1,5 kV par exemple (des valeurs inférieures peuvent être nécessaires pour couvrir l'immunité aux chocs) et le parafoudre à proximité du transformateur peut avoir un niveau de protection pouvant atteindre 6 kV (tenue à l'isolement d'un transformateur type basée sur la coordination de l'isolement).

En outre, il est possible que l'utilisation d'un parafoudre du côté MT du transformateur s'avère nécessaire. Ce point est traité dans la CEI 60099-5.

Voir la Figure G.4.



IEC 377/02

Figure G.4 – Exemple de système de protection contre la foudre

Annexe H (informative)

Exemples d'application de l'analyse des risques

La méthode d'analyse des risques simplifiée décrite dans la CEI 60364-4-44 est décrite ci-dessous. Il y a principalement deux cas:

- Lorsqu'une installation est alimentée par une ligne aérienne ou qu'elle inclut une ligne aérienne et que le niveau kéraunique de l'emplacement est supérieur à 25 jours par an, des parafoudres à l'entrée de l'installation doivent être prévus.
- Lorsque l'une des conditions ci-dessus n'est pas remplie (par exemple niveau kéraunique inférieur à 25 ou câbles souterrains), il y a différents niveaux de conséquences à prendre en compte:

Conséquences *A* liées à la vie humaine (influence directe de la foudre sur la vie, par exemple dispositifs de sécurité, appareils médicaux dans les hôpitaux).

Conséquences *B* liées aux services publics (perte de service pour un grand nombre de personnes ou perte de l'héritage national, par exemple centres de traitement de l'information, musées).

Conséquences *C* pour l'activité commerciale ou industrielle (perte de production, pertes économiques, par exemple hôtels, banques, industries, marchés commerciaux, fermes).

Conséquences *D* pour les groupes d'individus (avec aucun impact direct de la foudre sur la sécurité des personnes, par exemple grands bâtiments d'habitation, églises, bureaux, écoles).

Conséquences *E* pour les individus (avec aucun impact direct de la foudre sur la sécurité des personnes, par exemple bâtiments d'habitation, petits bureaux).

Pour les niveaux de conséquences *A* à *C*, des parafoudres doivent être prévus à l'entrée de l'installation.

Pour les niveaux de conséquences *D* et *E*, l'exigence relative à la protection dépend du résultat d'un calcul. Le calcul doit être effectué en utilisant la formule suivante pour la détermination de la longueur conventionnelle *d*.

La protection est recommandée si:

$$d > d_C$$

d est la longueur conventionnelle en km de la ligne d'alimentation de la structure considérée avec une valeur maximale de 1 km. Cette distance est liée au premier nœud, c'est-à-dire à l'endroit où les systèmes se séparent en au moins deux chemins, réduisant ainsi la contrainte. Un parafoudre situé au niveau d'une boîte de jonction est également considéré comme un nœud.

d_C est la longueur critique;

d_C en km est égale à $\frac{1}{N_g}$ pour le niveau de conséquences *D*;

et égale à $\frac{2}{N_g}$ pour le niveau de conséquences *E*.

où N_g est la fréquence des impacts par km² et par an;

NOTE 25 jours d'orage par an sont équivalents à une valeur de 2,24 impacts par km² et par an. Ceci est déduit de la formule:

$$N_g = 0,04 T_d^{1,25}$$

où:

T_d est le nombre de jours d'orage par an.

$$d = d1 + d2/4 + d3/4$$

Par convention, d est limitée à 1 km,

$d1$ = Longueur de la ligne aérienne BT alimentant la structure, limitée à 1 km

$d2$ = Longueur de la ligne non blindée souterraine BT de la structure, limitée à 1 km. Un facteur de 4 est utilisé pour tenir compte de l'effet d'amortissement du câble souterrain. A la jonction entre la partie aérienne et souterraine, il est courant d'utiliser des parafoudres et ceci peut diminuer la contrainte d'une valeur supérieure au rapport 4.

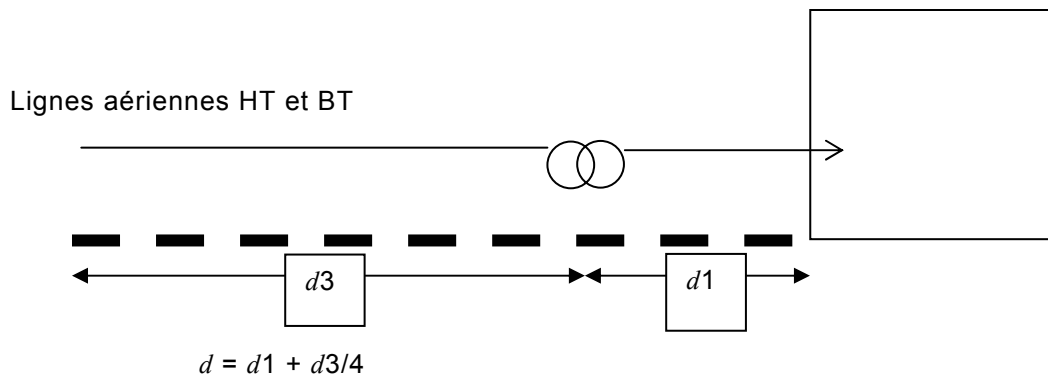
$d3$ = Longueur de la ligne d'alimentation aérienne HT de la structure, limitée à 1 km. Un facteur de 4 est utilisé pour tenir compte de l'effet de réduction du transformateur. Ceci est basé sur des essais effectués sur quelques transformateurs réels et peut être considéré comme satisfaisant pour la plupart des transformateurs.

La longueur d'une ligne d'alimentation souterraine HT est négligée.

La longueur d'une ligne souterraine BT blindée est négligée.

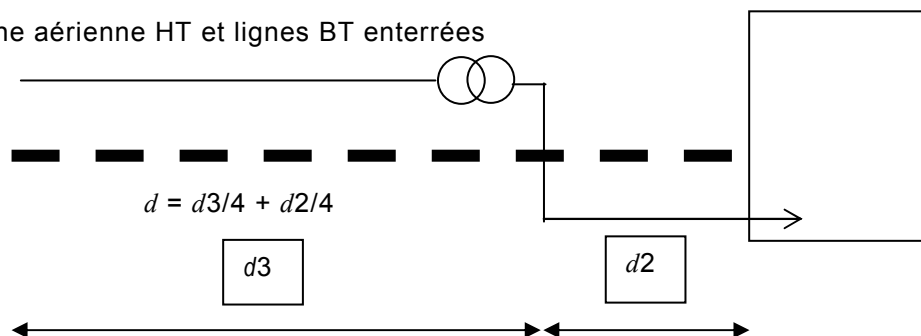
Un exemple de détermination de d et d'application de cette méthode est donné ci-dessous.

Dans les figures suivantes, la ligne pointillée en gras représente le niveau du sol. Ce qui est situé au-dessus de la ligne est aérien et ce qui est situé en dessous est souterrain. La boîte représente la structure considérée. Le transformateur éventuel est représenté par le symbole des deux cercles.



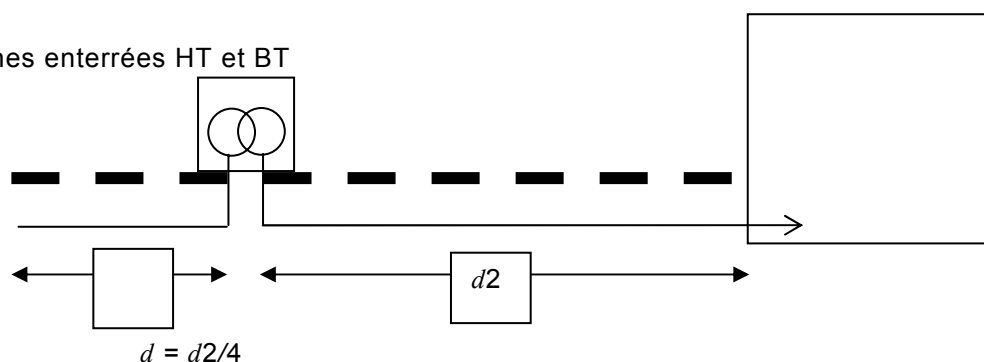
Le bâtiment considéré est alimenté par une ligne aérienne BT et un transformateur HT se situe à moins de 1 km du bâtiment.

Ligne aérienne HT et lignes BT enterrées

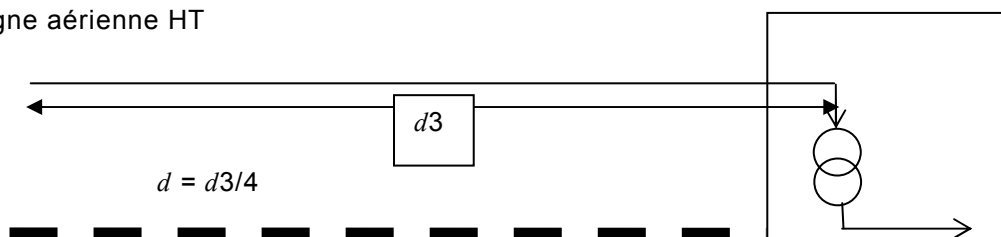


Le bâtiment considéré est alimenté par un câble souterrain BT et un transformateur HT se situe à moins de 1 km du bâtiment.

Lignes enterrées HT et BT



Ligne aérienne HT



Le bâtiment considéré est alimenté par une ligne aérienne HT alimentant un transformateur HT situé à l'intérieur du bâtiment.

Exemple 1: musée. Il est alimenté par un câble souterrain de 500 m de long, reliant un transformateur HT/BT situé en amont au point d'entrée de l'installation électrique du musée. Le niveau céramique est de 20.

En dépit de l'utilisation d'un câble souterrain et d'un niveau céramique inférieur à 25, un parafoudre est recommandé parce que le niveau de conséquence est B.

Exemple 2: maison privée alimentée par une ligne aérienne de 200 m de long, reliant un transformateur HT/BT au point d'entrée de l'installation électrique. Le niveau céramique est de 27.

Compte tenu de la conjonction d'une ligne BT aérienne et d'un niveau céramique supérieur à 25, des parafoudres sont recommandés.

Exemple 3: école située dans une zone où le niveau céramique est de 20 (ceci correspond à $N_g = 1,7$). L'alimentation est effectuée par l'intermédiaire d'un transformateur HT situé

directement à l'intérieur du bâtiment et la ligne HT aérienne a une longueur de 750 m. Le niveau de conséquence est D .

Le niveau kéraunique étant inférieur à 25, il est nécessaire d'évaluer l'utilisation d'un parafoudre par calcul de la longueur conventionnelle d

$$d = 0 [d1] + 0 [d2/4] + 0,1875 [d3/4]$$

$$dc = 0,59 [1/Ng]$$

d est inférieure à dc , et donc des parafoudres peuvent ne pas être nécessaires.

Exemple 4: église située dans une zone où le niveau kéraunique est de 20 (ceci correspond à $Ng = 1,7$). Une ligne aérienne de 500 m de long relie le transformateur HT au point d'entrée de l'installation électrique de l'église. La ligne aérienne HT a une longueur de 2 km. Le niveau de conséquence est D .

Le niveau kéraunique étant inférieur à 25, il est nécessaire d'évaluer l'utilisation d'un parafoudre par calcul de la longueur conventionnelle d

$$d = 0,5 [d1] + 0 [d2/4] + 0,25 [d3/4, d3 limitée à 1 km] = 0,75$$

$$dc = 0,59 [1/Ng]$$

d est supérieure à dc , et donc des parafoudres sont recommandés.

Exemple 5: petit bureau situé dans une zone où le niveau kéraunique est de 20 (ceci correspond à $Ng = 1,7$). Les distances ne sont pas connues. Le niveau de conséquence est E .

Le niveau kéraunique étant inférieur à 25, il est nécessaire d'évaluer l'utilisation d'un parafoudre par calcul de la longueur conventionnelle d . Dans la mesure où les distances ne sont pas connues, le scénario le plus défavorable doit être utilisé, par exemple $d1 = 1$ km, $d2 = 1$ km et $d3 = 1$ km.

$$d = 1 [d1] + 0,25 [d2/4] + 0,25 [d3/4] = 1,5, \text{ valeur qui est ensuite limitée à } 1 \text{ conformément à la règle (1 km maximum)}$$

$$dc = 0,59 [1/Ng]$$

d est supérieure à dc , et donc des parafoudres sont recommandés.

Annexe I (informative)

Contraintes de réseaux

NOTE La présente annexe développe l'Article 4 de la présente norme. Lorsque les informations se rapportent à un paragraphe particulier, cela est indiqué entre crochets [xxx].

I.1 Courants et surtensions de foudre [4.1.1]

I.1.1 Aspects des réseaux de distribution ayant un effet sur la nécessité d'un parafoudre

L'Article 443 de la CEI 60364-4-44 indique que, si l'installation est alimentée par des câbles souterrains ou par des lignes aériennes dans un niveau kéraunique inférieur à 25, il n'y a pas besoin de parafoudre, sauf si le risque acceptable fondé sur l'utilisation de l'installation est exceptionnellement faible.

Ces lignes directrices sont fondées sur certaines considérations relatives à l'installation moyenne. Si des facteurs spécifiques à l'installation considérée sont inhabituels, il peut y avoir une nécessité plus importante de protection contre la foudre. Certains de ces facteurs sont considérés en I.1.1.1 et I.1.1.2.

Il convient de réaliser une analyse de risque fondée sur la probabilité de chocs entrants et sur l'équilibre économique entre la protection et les conséquences.

L'Article 443 de la CEI 60364-4-44 est en cours de révision par rapport à l'analyse de risque.

I.1.1.1 Activités de foudre

Le paramètre le plus utile pour la détermination du risque des contraintes de foudre sur l'installation est la densité locale de foudroiement, N_g . Cependant, si N_g est inconnue, il est possible de faire une estimation grossière à partir du niveau kéraunique (N_k , nombre de jours d'orage par an, obtenu d'après les cartes isokérauniques) dans la zone, à l'aide de la formule simplifiée suivante: $N_g = 0,04 \times N_k^{1,25}$.

N_g donne des renseignements très localisés sur l'activité de foudre, permettant une détermination précise du risque à la fois à l'emplacement spécifique et le long du tracé de tout service entrant. Cette valeur prend également en compte les variations dues à la période de l'année et à l'amplitude du choc. Ces facteurs ne sont pas inclus dans la détermination de N_k . De ce fait, une valeur de $N_k = 25$ ne peut pas être utilisée telle quelle pour déterminer la nécessité d'un parafoudre.

I.1.1.2 Exposition de l'installation

Même si l'alimentation est assurée par un câble souterrain, ce câble n'est pas toujours suffisant pour protéger l'installation, en particulier dans le cas de coups de foudre directs ou proches qui ne sont pas pris en compte dans l'Article 443 de la CEI 60364-4-44. C'est pourquoi l'alimentation par câble souterrain ne peut pas être utilisée, telle quelle, pour déterminer la nécessité d'un parafoudre.

I.1.2 Partage du courant de choc dans une structure

La Figure I.1 montre un exemple caractéristique de partage du courant de choc dans le cas d'un coup de foudre direct sur la structure. Pour plus d'informations, se reporter à l'Annexe D.

NOTE 1 Le courant de choc de foudre combine deux paramètres clés. Le premier correspond au temps de montée rapide qui est utile pour déterminer la valeur de la tension due à des effets inductifs. Le second paramètre correspond à la longue durée de l'impulsion qui se rapporte essentiellement à l'énergie du coup de foudre. Aucun effet à haute fréquence n'est observé à cette période ultérieure, ce qui permet d'utiliser une résistance ohmique pour calculer la distribution du courant.

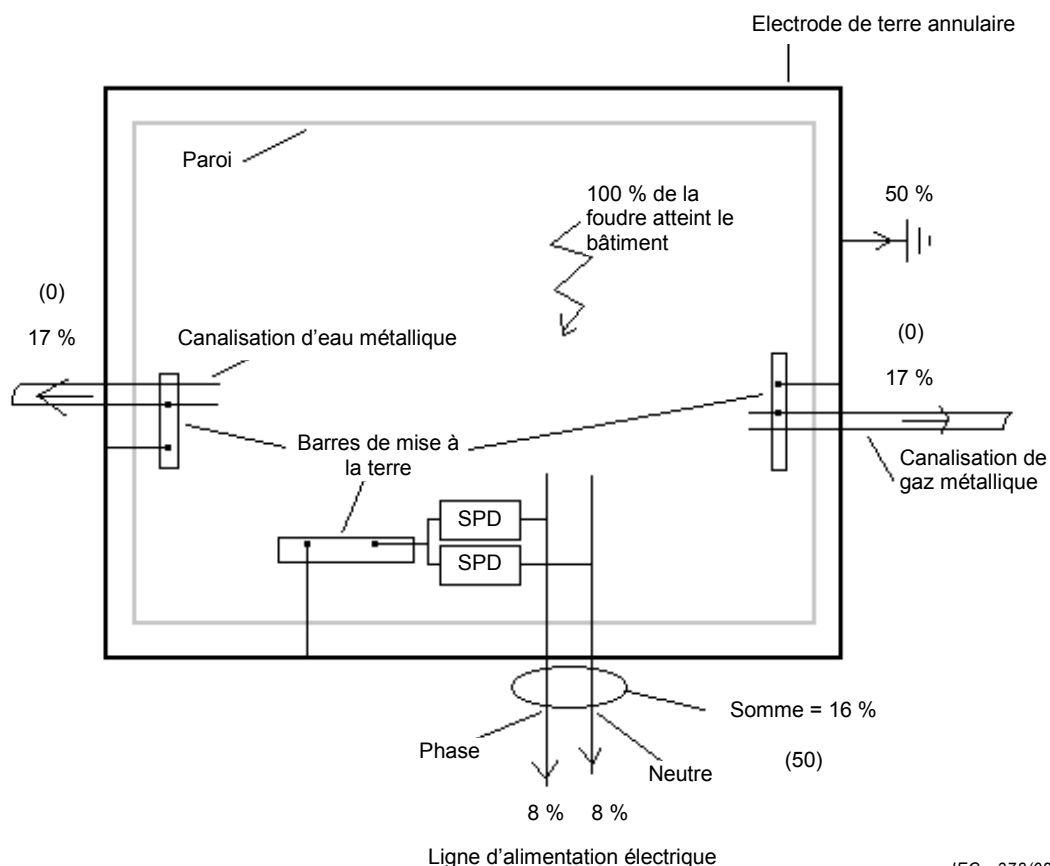
Lorsqu'aucune évaluation individuelle (par exemple par le calcul) n'est possible, il est possible de supposer que 50 % du courant de foudre total (I) pénètre par la borne de terre des systèmes de protection contre la foudre de la structure considérée. Les 50 % restants du courant (I_s), sont distribués entre les divers raccordements de service pénétrant dans la structure, tels que les parties conductrices externes, l'alimentation électrique et les lignes de communication, etc. La valeur du courant s'écoulant dans chaque raccordement de service (I_i) peut être estimée en utilisant $I_i = I_s / n$, où n est le nombre de raccordements de service.

Pour l'évaluation du courant s'écoulant dans des conducteurs individuels, désigné par I_v , dans un câble non blindé, le courant I_i s'écoulant dans le câble est divisé par le nombre de conducteurs m , avec $I_v = I_i / m$.

Dans le cas d'un câble blindé, les deux extrémités doivent être reliées à la terre directement ou par l'intermédiaire d'un parafoudre. Dans ce cas, la partie principale du courant de foudre s'écoulant dans le câble ira dans le blindage (habituellement 50 %) et une faible partie du courant s'écoulera dans les conducteurs internes. Dans tous les cas, il convient d'installer des parafoudres aussi près que possible du point de métallisation du blindage.

NOTE 2 Pour les parafoudres, les valeurs préférentielles de $I_{crête}$ ou de I_{max} correspondent à I_v .

NOTE 3 Il est possible de traiter de manière similaire les coups de foudre directs atteignant des lignes aériennes.



NOTE Les valeurs entre parenthèses sont applicables lorsqu'il n'y a aucune canalisation métallique.

Figure I.1 – Exemple d'écoulement du courant de foudre dans les raccordements externes de service (schéma TT)

Cette figure illustre un cas typique dans lequel 50 % du courant total s'écoulement par le système de mise à la terre de la structure et 50 % s'écoulement par les raccordements externes de service.

I.2 Surtensions de coupure [4.1.2]

Pour plus d'informations sur les contraintes dues aux surtensions de coupure, se référer à l'Article C.3.

I.3 Surtensions temporaires U_{TOV} [4.1.3]

La surtension temporaire causée par des défaillances du réseau BT peut être définie par deux facteurs:

- k_1 , qui est le rapport entre la tension maximale et la tension nominale du système. Le facteur k_1 se situe normalement dans une plage allant de 1,05 à 1,1. Ceci couvre la régulation normale du niveau de tension.

$$U_{cs} = k_1 \times U_0$$

- k_2 est l'amplitude maximale de la surtension du réseau d'alimentation, qui se produit à une valeur de courant supérieure à la valeur de U_{cs} du réseau d'alimentation. La tension de la phase sans défaut peut varier de 1,25 environ jusqu'à une valeur théorique de $\sqrt{3}$ pour un défaut dans un réseau basse tension triphasé.

NOTE 1 Dans le cas de systèmes monophasés à trois fils (phases séparées), k_2 peut atteindre une valeur de 2.

La surtension temporaire totale peut être exprimée par la relation suivante:

$$U_{TOV(BT)} = k_1 \times k_2 \times U_0 = k_2 \times U_{cs}$$

NOTE 2 Les surtensions temporaires sont habituellement provoquées par des événements tels que des défauts sur le réseau de distribution basse tension, une coupure de condensateurs, et l'arrêt et le démarrage d'un moteur. Ces surtensions sont de courte durée. Celles qui sont engendrées par des défauts sur le réseau d'alimentation triphasé durent pendant une période allant de moins de 0,05 s jusqu'à un maximum de 5 s. Le démarrage de moteurs monophasés, avec une mauvaise liaison neutre, peut engendrer des surtensions excessives pendant un intervalle de temps généralement inférieur ou égal à 5 s. Il convient que la coupure de condensateurs et la régulation de tension ne génèrent pas des surtensions d'une durée supérieure à 5 s. Par conséquent, on choisit dans la CEI 61643-12 une surtension temporaire d'une durée comprise entre 0,05 s et 5 s.

NOTE 3 Dans certains réseaux, il sera nécessaire de tenir compte d'une surtension temporaire de courte durée (moins de 5 s) égale à $U_0 + 1\,200$ V (voir CEI 60364-4-44) due à la présence d'un défaut dans le réseau haute tension ($U_{TOV(HT)}$). Des valeurs de tensions si élevées sont susceptibles d'entraîner une défaillance du parafoudre. En pareil cas, il est nécessaire d'effectuer des essais appropriés pour s'assurer que cette défaillance ne crée aucun danger pour le personnel, le matériel ou l'installation. Cette valeur de $U_0 + 1\,200$ V représente la valeur maximale des surtensions temporaires pendant une durée maximale de 5 s. Selon le type de système de mise à la terre des installations basse tension et du réseau haute tension, cette valeur peut exister ou non (voir Annexe E). En outre, la CEI 60364-4-44 définit des surtensions temporaires d'une durée supérieure à 5 s, qui sont susceptibles d'entraîner des défaillances du fait de leur durée.

Dans la présente norme, les surtensions temporaires générées par des défaillances du réseau BT sont désignées par $U_{TOV(BT)}$ et celles générées par des défaillances du réseau HT par $U_{TOV(HT)}$.

Sur la base de la formule donnée ci-dessus, il est possible en théorie de tracer une courbe de variation de la tension en fonction de la durée de U_{TOV} dans le réseau. De toute manière, en pratique on ne connaît pas toujours les valeurs réelles de U_{TOV} dans le réseau, notamment à l'endroit où sont installés les parafoudres. En pareil cas, il est plutôt difficile de tracer les courbes mentionnées ci-dessus puisque l'on ne connaît que certains points.

En général, seules les valeurs maximales normalisées sont connues et la courbe est ensuite réduite à quelques points. Les valeurs de temps d'intérêt particulier pour le choix des parafoudres sont 200 ms et 5 s.

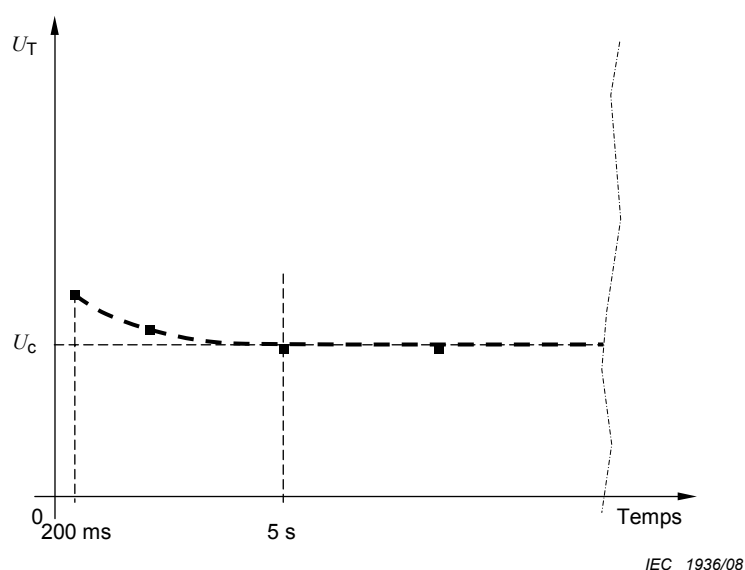
En ce qui concerne les valeurs maximales normalisées de U_{TOV} , voir Figure 4.

Annexe J (informative)

Critères de sélection des parafoudres

NOTE La présente annexe développe l'Article 5 de la présente norme. Lorsque les informations se rapportent à un paragraphe particulier, cela est indiqué entre crochets [xxx].

J.1 Caractéristique de la surtension temporaire U_T [5.5.1.2]



NOTE Des surtensions temporaires peuvent avoir une durée de plusieurs secondes. On considère qu'une surtension temporaire d'une durée supérieure à 5 s est une condition permanente pour des parafoudres; pour les durées supérieures à 5 s, la courbe correspond à une valeur constante de U_C .

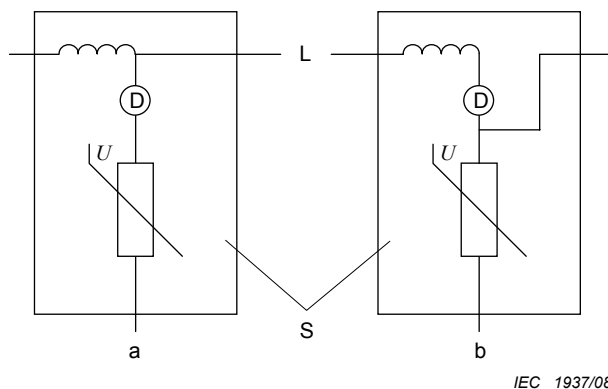
Figure J.1 – Courbe caractéristique pour U_T d'un parafoudre

J.2 Modes de défaillance des parafoudres [5.5.4]

Si un parafoudre se met dans un mode de défaillance décrit en 5.5.4, il est nécessaire d'examiner l'effet du mode de défaillance sur l'installation.

Si le mode de défaillance du parafoudre est un circuit ouvert (dû à un composant non linéaire du parafoudre proprement dit ou à un dispositif de déconnexion interne ou externe connecté en série avec le parafoudre et en dérivation avec l'alimentation électrique), alors la continuité de l'alimentation électrique peut être assurée, même en cas de défaillance du parafoudre. Cependant, il est nécessaire de prêter une attention particulière à la capacité du parafoudre à se déconnecter avant le fonctionnement de la protection de secours du système. La coordination entre le déconnecteur du parafoudre et la protection de secours doit alors faire l'objet d'une étude approfondie.

En ce qui concerne les parafoudres à deux accès ou à un accès connectés en ligne avec l'alimentation du réseau, l'utilisation d'un déconnecteur interne peut ou non assurer la continuité de l'alimentation, selon son emplacement dans le parafoudre, comme illustré dans les cas a) et b) à la Figure J.2.



IEC 1937/08

Légende

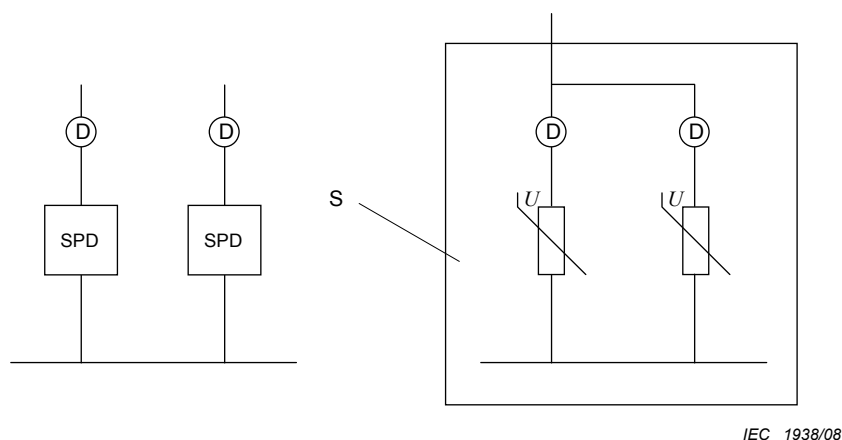
- D Déconnecteur
- S Parafoudre (SPD)
- L Ligne

Figure J.2 – Déconnecteur interne dans le cas d'un parafoudre à deux accès

La principale caractéristique de la solution a est que le matériel est toujours sous tension après le fonctionnement du déconnecteur. L'inconvénient est que le matériel n'est plus protégé. Si un indicateur de défaut (distant et/ou local) n'est pas utilisé pour signaler cette déconnexion, l'utilisateur ne peut pas se rendre compte que le matériel n'est plus protégé et de ce fait qu'il est bien plus sensible aux surtensions incidentes.

La caractéristique principale de la solution b est que le matériel est déconnecté de l'alimentation après fonctionnement du déconnecteur, mais est aussi déconnecté de la source principale des chocs.

Afin d'éviter un manque de protection dû à une déconnexion, il est possible d'utiliser des parafoudres montés en parallèle et munis de déconnecteurs, comme illustré à la Figure J.3.



Légende

D Déconnecteur

S Parafoudre complet incluant deux dispositifs de protection (varistance) et deux déconnecteurs associés

Figure J.3 – Utilisation de parafoudres montés en parallèle

Si le mode de défaillance du parafoudre est un court-circuit (dû au parafoudre proprement dit ou à un dispositif supplémentaire) qui fait ouvrir la protection générale du système, alors la situation est similaire au cas b) ci-dessus.

A moins que le fabricant ne fasse état d'un mode de défaillance spécifique, il est nécessaire de supposer que le parafoudre est susceptible de subir tous les modes de défaillance mentionnés plus haut. Afin d'obtenir un seul type de mode de défaillance (condition de court-circuit ou de circuit ouvert), on utilise généralement un dispositif supplémentaire (tel qu'un déconnecteur de surintensité, Figure J.3).

La condition indéterminée est un état transitoire susceptible de se produire pendant la défaillance d'un parafoudre. Afin de générer un état déterminé (court-circuit ou circuit ouvert), il est nécessaire d'utiliser des dispositifs supplémentaires (par exemple un déconnecteur thermique).

NOTE La CEI 60364-4-41 décrit les règles de sécurité applicables.

Annexe K (informative)

Utilisation des parafoudres

NOTE La présente annexe développe l'Article 6 de la présente norme. Lorsque les informations se rapportent à un paragraphe particulier, cela est indiqué entre crochets [xxx].

K.1 Emplacement et protection apportés par les parafoudres [6.1]

K.1.1 Modes possibles de protection et d'installation [6.1.1]

Les Figures K.1 à K.5 donnent des options alternatives de mise à la terre (voir les points 5a et 5b).

NOTE 1 La meilleure pratique est d'utiliser les deux options pour maintenir à la fois un niveau de protection faible et un niveau de contrainte minimal de l'installation, sous réserve que la connexion entre le conducteur PE et le point commun de mise à la terre du parafoudre soient conservés aussi proches que possible.

Il convient de réaliser une installation acceptable en tenant compte des cinq étapes suivantes.

NOTE 2 Les étapes suivantes ne sont valables que pour les parafoudres fixes connectés entre phase et terre ou neutre et terre. Les autres parafoudres peuvent nécessiter d'autres règles.

- a) Déterminer le trajet du courant de décharge.
- b) Identifier les fils qui provoquent une chute de tension supplémentaire aux bornes des matériels (Figures K.6a et K.6b).

NOTE 3 Dans la Figure K.6, U_{res} représente la tension résiduelle pour des parafoudres essayés selon les essais de classes I et II, ou plus généralement la tension de limitation.

- c) Arranger le trajet des conducteurs de chaque partie de matériel afin d'éviter d'engendrer des boucles d'induction inutiles (se reporter aux Figures K.6c, K.6d et K.7).

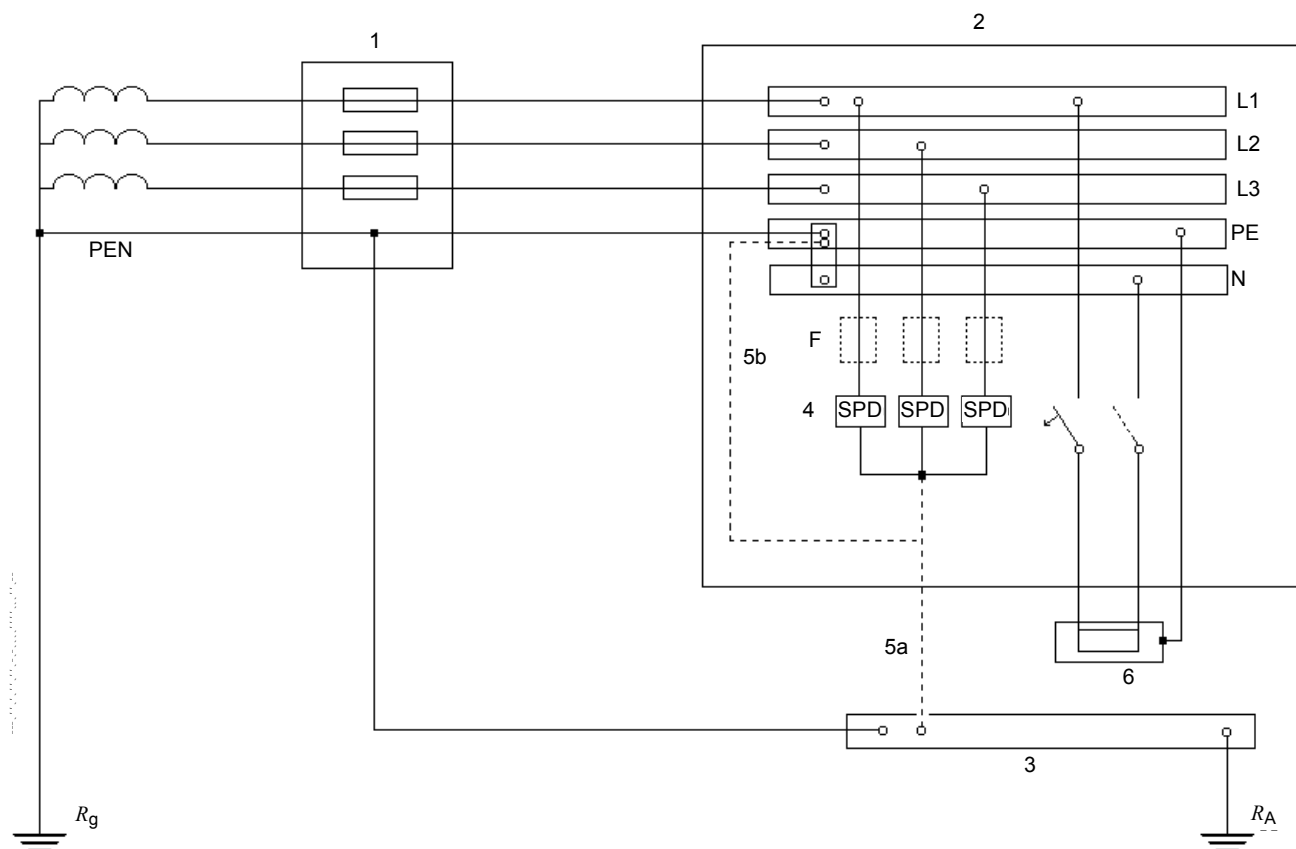
NOTE 4 S'il n'est pas possible d'obtenir une mise à la terre unique, la présence de deux parafoudres est nécessaire, comme indiqué à la Figure K.6d.

- d) Etablir une liaison équipotentielle entre le matériel et les parafoudres.
- e) Choisir le parafoudre conformément aux exigences applicables en matière de coordination.

Il convient de prendre des mesures pour limiter le couplage inductif entre les parties non protégées et les parties protégées de l'installation. L'inductance mutuelle peut être réduite en séparant la source inductrice et les circuits victimes, en limitant les zones en boucles et en choisissant l'angle des boucles (voir Figure K.7). Lorsqu'un conducteur transportant du courant fait partie de la surface de la boucle, la tension induite peut être réduite en faisant cheminer ce fil à proximité du câble (voir Figure K.7a).

En général, il est préférable de séparer les fils protégés de ceux qui ne le sont pas. Il convient de prendre les mesures nécessaires pour empêcher tout couplage parasite de transitoires entre les câbles de puissance et les câbles de télécommunication (voir Figure K.7b).

Voir la Figure K.7, qui illustre quelques exemples d'installation acceptable de parafoudres, tenant compte de la compatibilité électromagnétique.

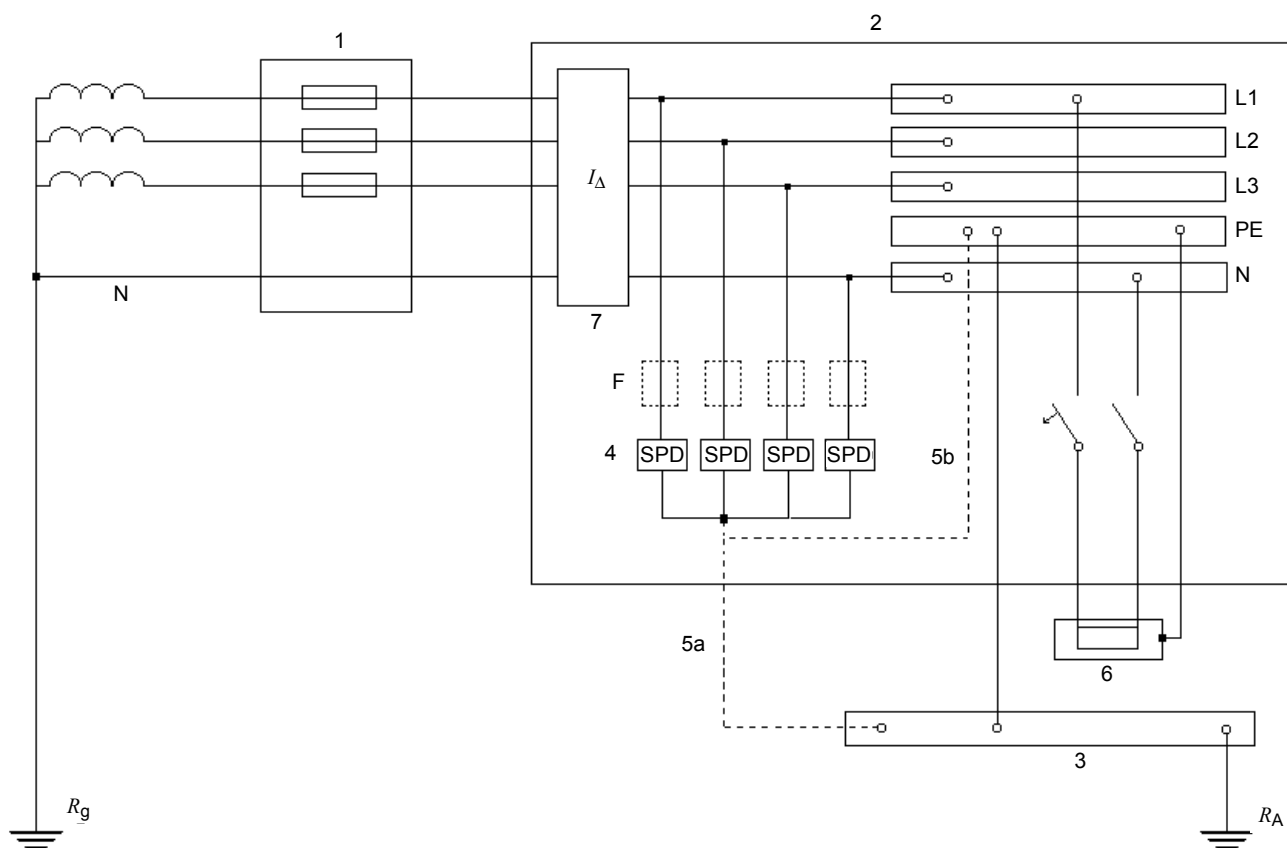


IEC 382/02

Légende

- 1 Origine de l'installation
- 2 Tableau de distribution
- 3 Borne ou barre principale de terre
- 4 Parafoudres
- 5 Liaison de mise à la terre des parafoudres, emplacement 5a ou 5b
- 6 Matériel à protéger
- F Dispositif de protection indiqué par le fabricant du parafoudre (exemple: fusible, disjoncteur, DDR)
- R_A Electrode de mise à la terre (résistance de mise à la terre) de l'installation
- R_g Electrode de mise à la terre (résistance de mise à la terre) du réseau d'alimentation

Figure K.1 – Installation de parafoudres dans des réseaux TN

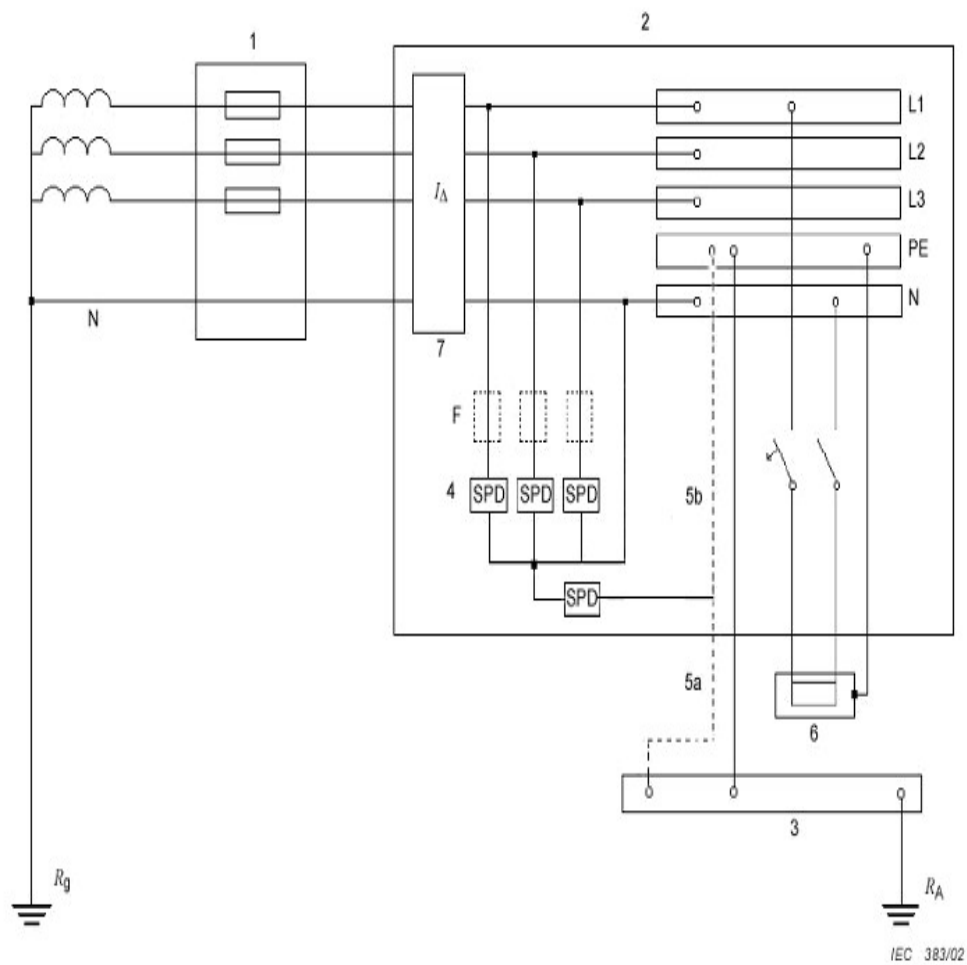


IEC 383/02

Légende

- 1 Origine de l'installation
- 2 Tableau de distribution
- 3 Borne ou barre principale de terre
- 4 Parafoudres
- 5 Liaison de mise à la terre des parafoudres, emplacement 5a ou 5b
- 6 Matériel à protéger
- 7 Dispositif de protection contre les courants résiduels (DDR)
- F Dispositif de protection indiqué par le fabricant du parafoudre (exemple: fusible, disjoncteur, DDR)
- R_A Electrode de mise à la terre (résistance de mise à la terre) de l'installation
- R_g Electrode de mise à la terre (résistance de mise à la terre) du réseau d'alimentation

Figure K.2a – Connexion de type 1

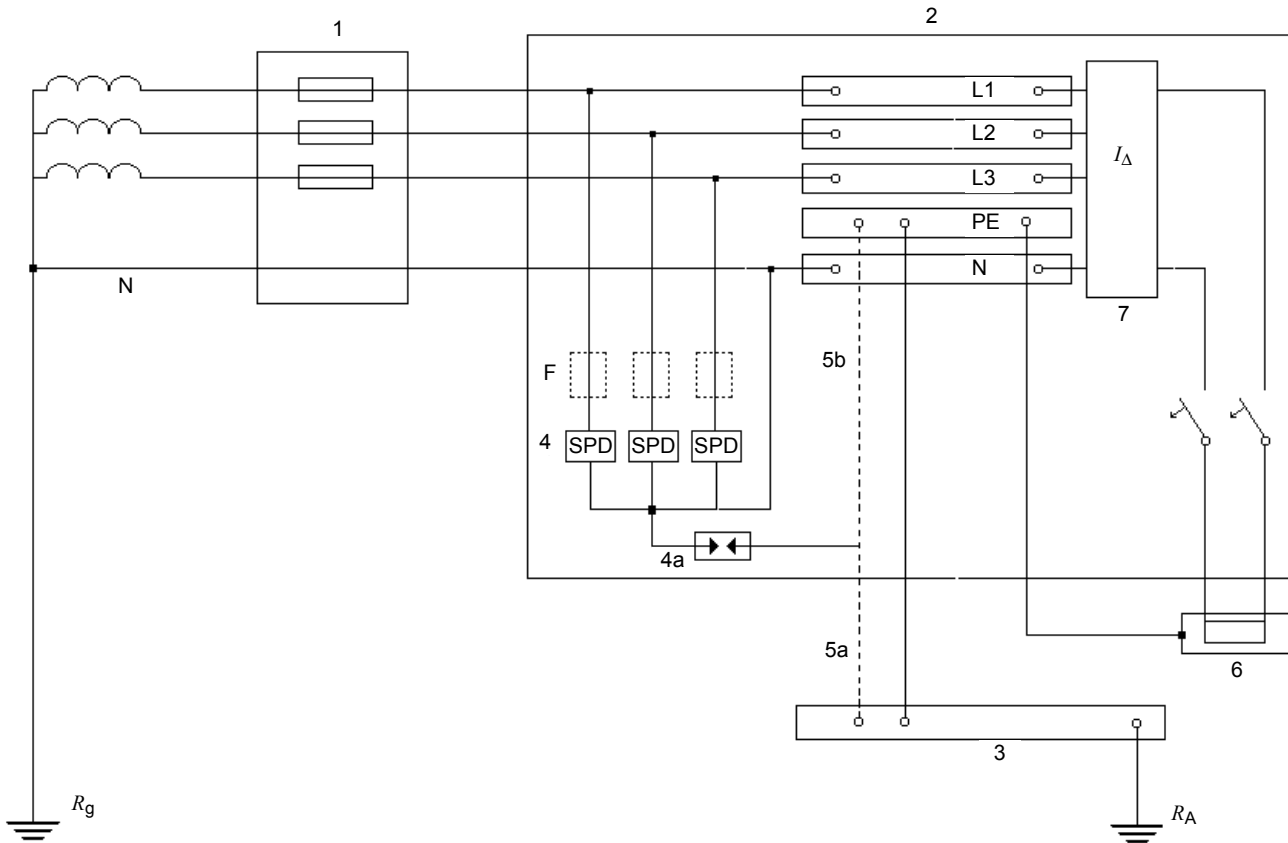


Légende

- 1 Origine de l'installation
- 2 Tableau de distribution
- 3 Borne ou barre principale de terre
- 4 Parafoudres
- 5 Liaison de mise à la terre des parafoudres, emplacement 5a ou 5b
- 6 Matériel à protéger
- 7 Dispositif de protection contre les courants résiduels (DDR)
- F Dispositif de protection indiqué par le fabricant du parafoudre (exemple: fusible, disjoncteur, DDR)
- R_A Electrode de mise à la terre (résistance de mise à la terre) de l'installation
- R_g Electrode de mise à la terre (résistance de mise à la terre) du réseau d'alimentation

Figure K.2b – Connexion de type 2

Figure K.2 – Installation de parafoudres dans des schémas TT
(parafoudre placé en aval du DDR)

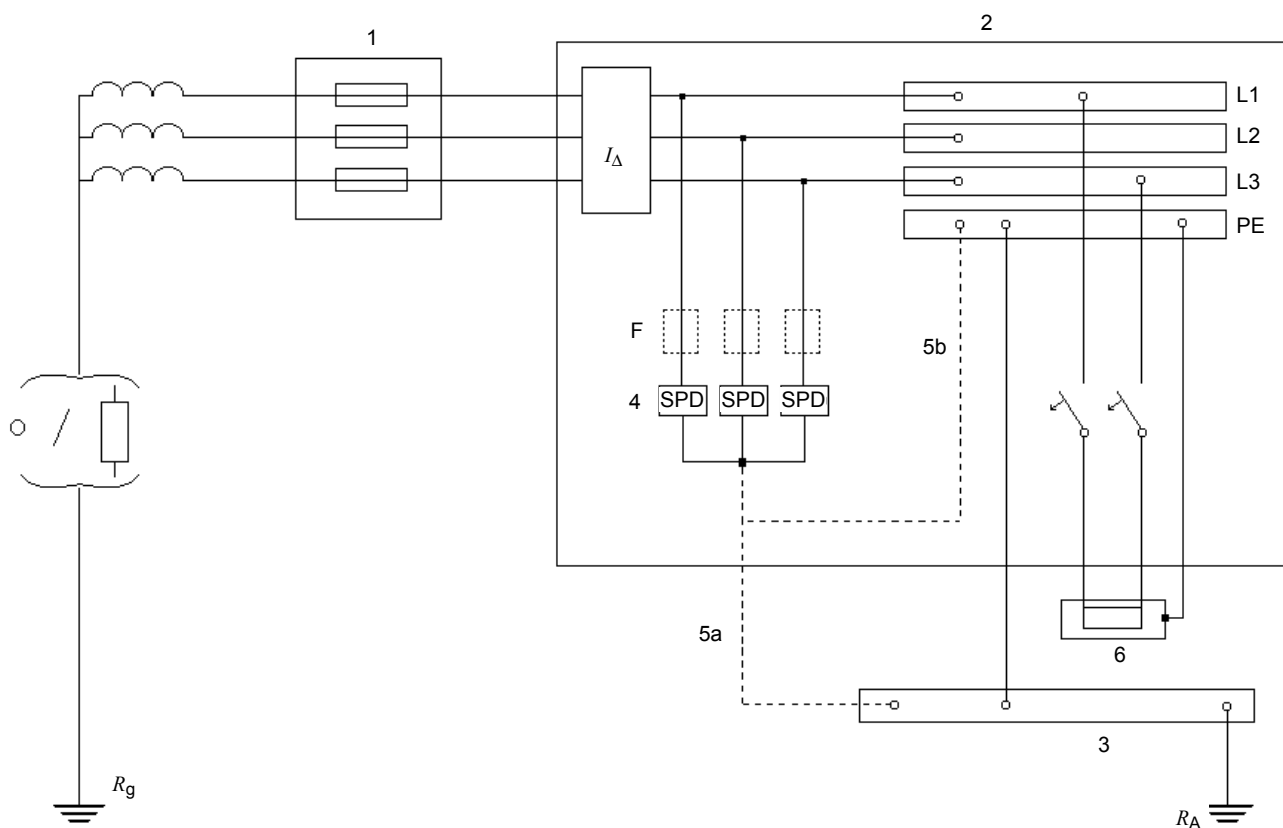


IEC 384/02

Légende

- 1 Origine de l'installation
- 2 Tableau de distribution
- 3 Borne ou barre principale de terre
- 4 Parafoudres
- 4a Parafoudres selon la CEI 60364-5-53 (2.3.2) ou éclateurs
- 5 Liaison de mise à la terre des parafoudres, emplacement 5a ou 5b
- 6 Matériel à protéger
- 7 Dispositif de protection contre les courants résiduels (DDR)
- F Dispositif de protection indiqué par le fabricant du parafoudre (exemple: fusible, disjoncteur, DDR)
- R_A Electrode de mise à la terre (résistance de mise à la terre) de l'installation
- R_g Electrode de mise à la terre (résistance de mise à la terre) du réseau d'alimentation

Figure K.3 – Installation de parafoudres dans des schémas TT (parafoudre placé en amont du DDR)

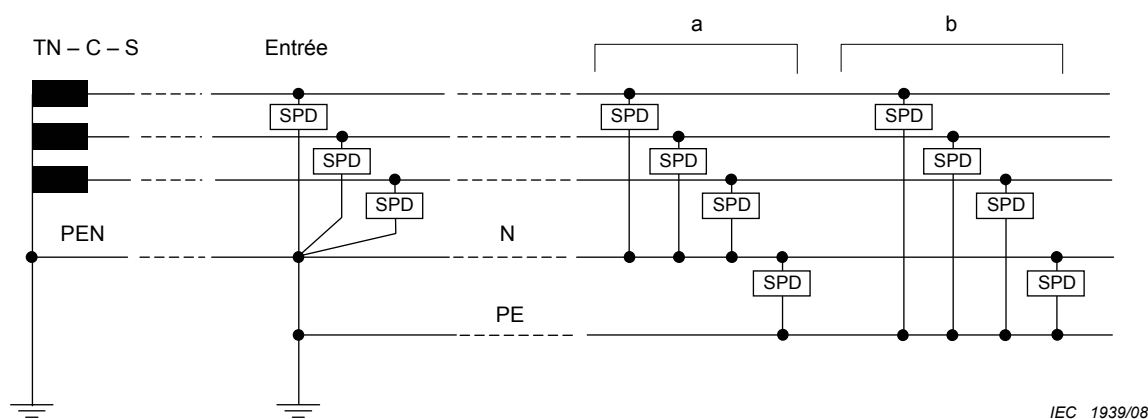


IEC 385/02

Légende

- 1 Origine de l'installation
- 2 Tableau de distribution
- 3 Borne ou barre principale de terre
- 4 Parafoudres
- 5 Liaison de mise à la terre des parafoudres, emplacement 5a ou 5b
- 6 Matériel à protéger
- F Dispositif de protection indiqué par le fabricant du parafoudre (exemple: fusible, disjoncteur, DDR)
- R_A Electrode de mise à la terre (résistance de mise à la terre) de l'installation
- R_g Electrode de mise à la terre (résistance de mise à la terre) du réseau d'alimentation
- O / Circuit ouvert ou résistance

Figure K.4 – Installation de parafoudres dans des schémas IT sans neutre distribué

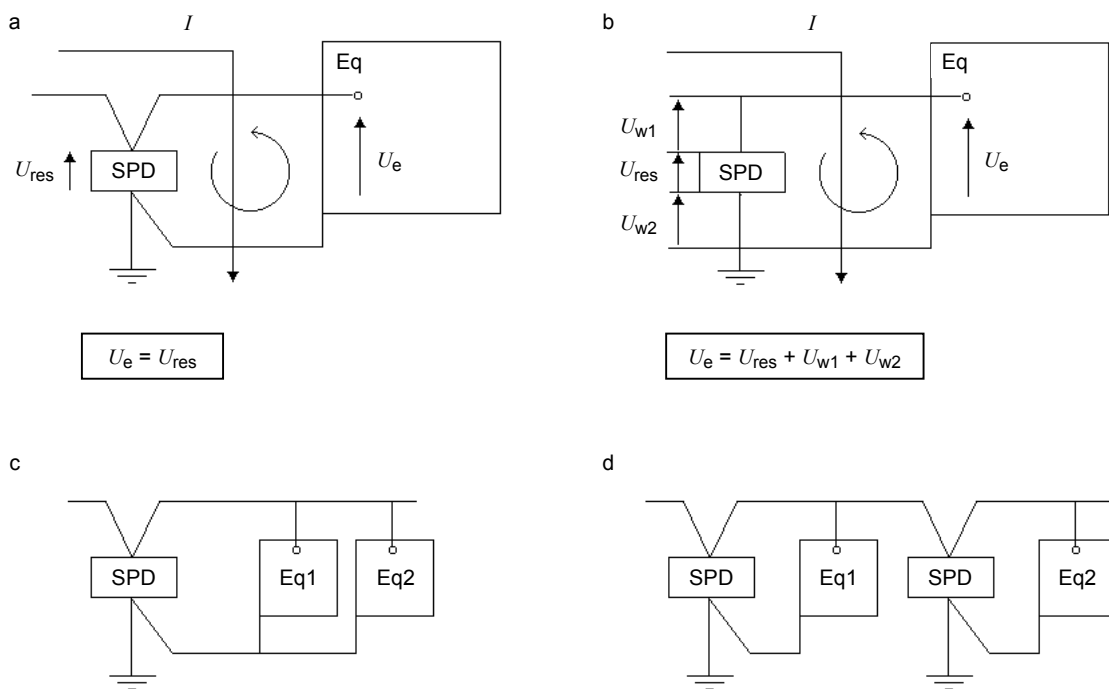


Légende

Connexion possible pour les parafoudres supplémentaires, si la distance entre le matériel et l'entrée de l'installation est grande (voir 6.1.4):

- a Connexion L-N et N-PE des parafoudres
- b Connexion L-PE et N-PE des parafoudres

Figure K.5 – Installation caractéristique de parafoudres à l'entrée d'une installation dans le cas d'un schéma TN C-S



IEC 387/02

Légende

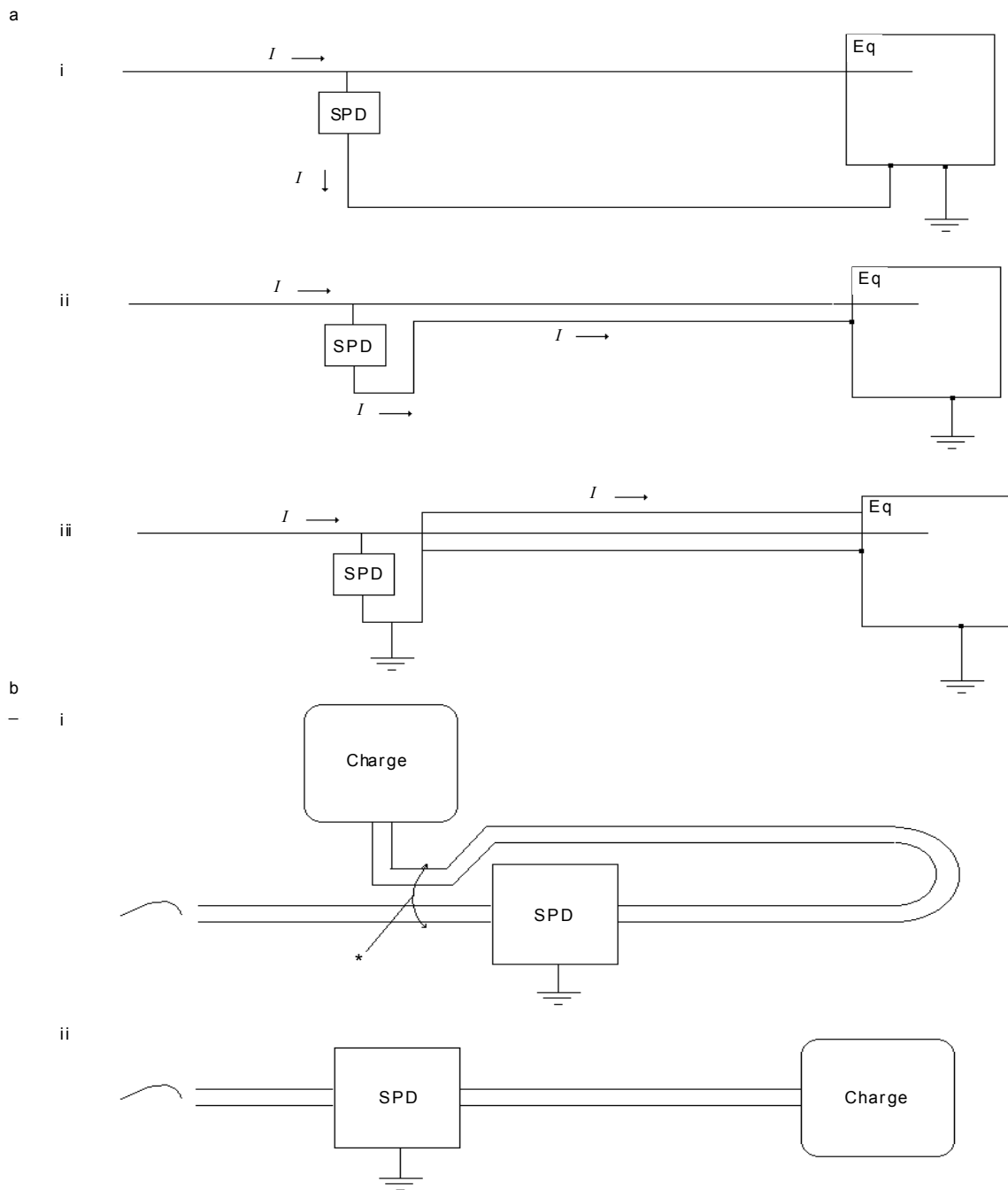
Eq matériel

Les configurations a, c et d sont acceptables

La configuration b est acceptable si U_{w1} et U_{w2} sont assez faibles (voir 6.1.3)

NOTE Le courant I circule à travers le parafoudre et le champ magnétique dû à la circulation de ce courant entre dans la boucle formée par les fils des bornes du matériel. Ceci a pour effet d'ajouter une tension induite à la tension résiduelle du parafoudre. Cette tension combinée apparaît aux bornes du matériel.

Figure K.6 – Façon générale d'installation de parafoudres à un accès



IEC 388/02

Légende

a Couplage électromagnétique

- i Mauvaise installation – zone de boucle large conduisant à $d\phi/dt$ élevé dû à dI/dt
- ii Meilleure installation – zone de boucle faible conduisant à $d\phi/dt$ plus faible
- iii Installation la meilleure – câble avec blindage conduisant à $d\phi/dt \approx 0$ à l'intérieur du blindage

b Couplage inductif

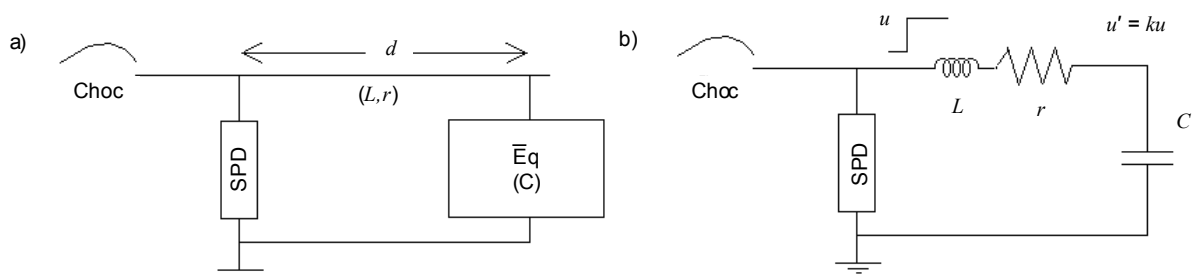
- i Mauvaise installation – un couplage inductif se produira au point marqué *
- ii Bonne installation – les câbles amont et aval du parafoudre sont bien séparés

Figure K.7 – Exemples d'installations acceptables et non acceptables de parafoudres vis-à-vis de la CEM

K.1.2 Influence des phénomènes d'oscillation sur la distance de protection [6.1.2]

En général, l'utilisation d'un parafoudre à proximité du matériel à protéger ne constitue pas une solution suffisante. Il est bien plus judicieux d'installer le parafoudre à l'entrée de l'installation pour des raisons de compatibilité électromagnétique (il vaut mieux écouler le courant à l'entrée afin d'éviter l'apparition de perturbations électromagnétiques engendrées par des courants de choc) et dans le but de protéger l'installation (pour éviter tout contournement entre conducteurs, etc.). Si nécessaire, un autre parafoudre doit être installé à proximité du matériel si ce dernier ne se trouve pas inclus dans la distance de protection du parafoudre installé à l'entrée. Des études concernant la coordination sont alors nécessaires (voir 6.2.6).

La raison de la nécessité d'une protection additionnelle contre les chocs est due à la possibilité que des oscillations ou des ondes en déplacement provoquées par le choc de foudre puissent causer des tensions supérieures à celles attendues dans le matériel à protéger. La Figure K.8 donne un exemple de représentation physique et électrique d'un tel système.



IEC 389/02

Figure K.8 – Représentations physique et électrique d'un réseau où le matériel protégé est séparé de la protection apportée par le parafoudre

La tension dans le matériel dépendra de la fréquence du choc et de la longueur des conducteurs. Selon la valeur de r , les oscillations entre L et C peuvent augmenter la tension aux bornes du matériel de u' à ku . La valeur de k dépend de plusieurs paramètres. En pratique, si les matériels ont une impédance de charge élevée, k est inférieur à 2.

Le circuit de la Figure K.9 correspond à une source de choc générant une impulsion de 5 kA 8/20 appliquée à un parafoudre à oxyde de zinc, séparé du matériel par une capacité de charge de 5 nF. Ce circuit a été simulé et donne la réponse donnée dans la Figure K.10. Ceci montre comment la tension aux bornes du matériel protégé peut atteindre le double de la tension aux bornes du parafoudre.

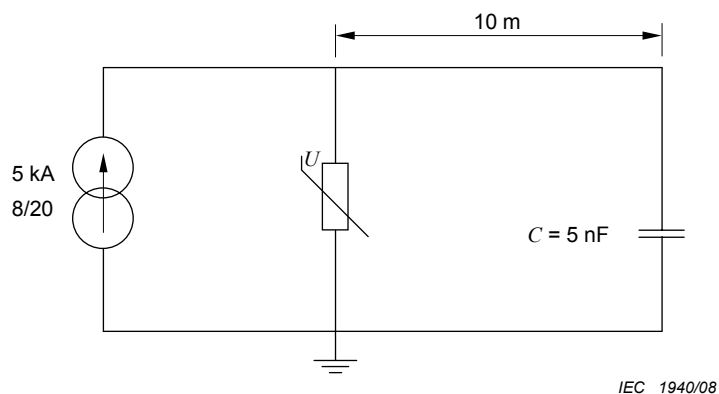
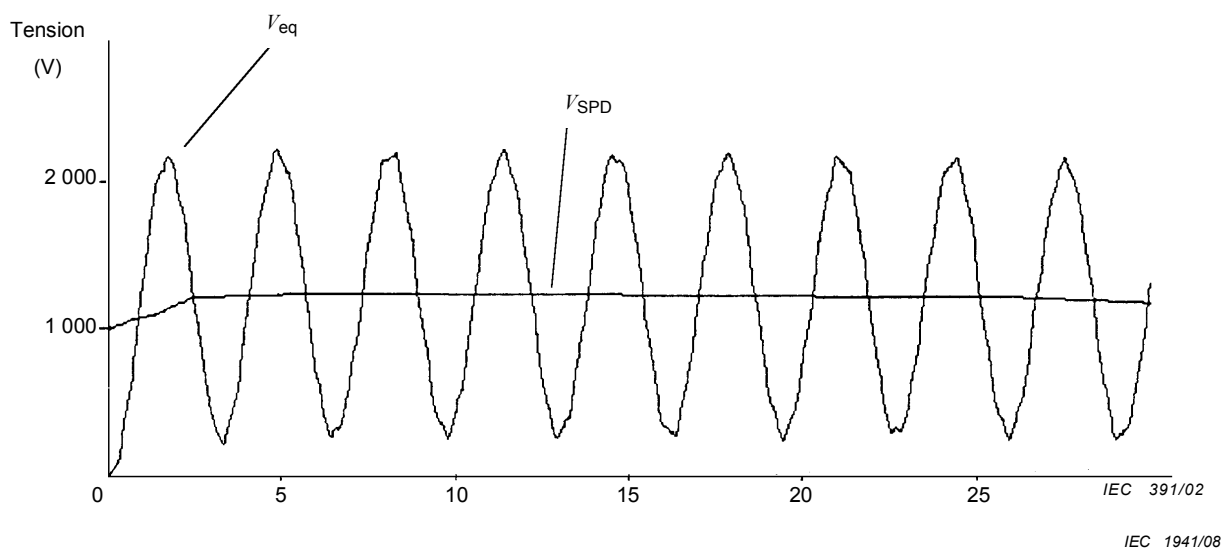


Figure K.9 – Oscillation possible entre un parafoudre à oxyde de zinc et le matériel à protéger



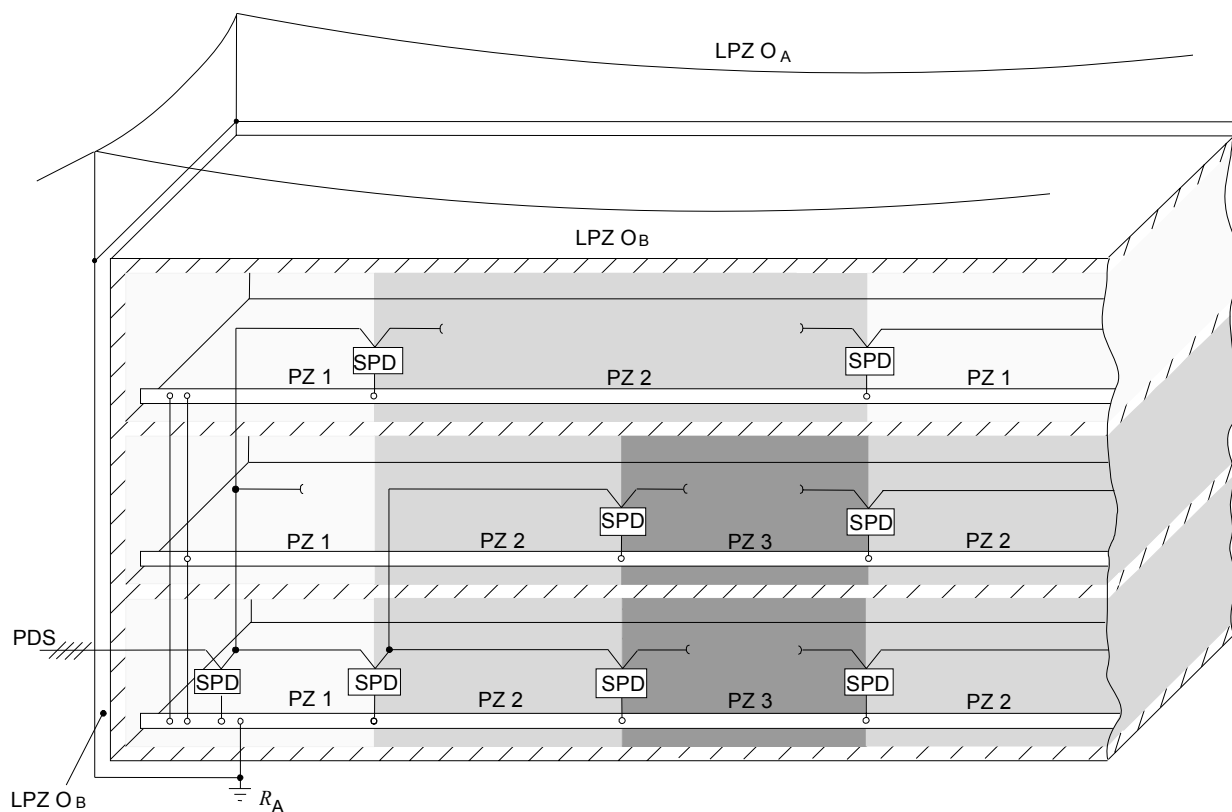
Légende

- V_{SPD} Tension aux bornes du parafoudre
- V_{eq} Tension aux bornes du matériel

Figure K.10 – Exemple de doublement de tension

K.1.3 Concept de la zone de protection [6.1.6]

Un exemple de la subdivision d'un réseau de distribution d'énergie électrique dans un bâtiment en zones de protection et de l'affectation des parafoudres, conformément à la CEI 61312-1 relative au coup de foudre direct, est donné à la Figure K.11.



IEC 392/02

Légende

- LPZ Zone de protection contre la foudre
- PZ Zone de protection (*Protection zone*)
- PDS Réseau de distribution (*Power distribution system*)
- SPD Parafoudre

Figure K.11 – Subdivision d'un bâtiment en zones de protection

Les zones de protection sont définies comme suit.

- Zone de protection contre la foudre O_A (CEI 62305-4)
Zone dans laquelle les appareils sont soumis à des coups de foudre directs et peuvent, par conséquent, devoir véhiculer tout le courant de foudre. C'est là qu'est généré le champ électromagnétique non atténué.
- Zone de protection contre la foudre O_B (CEI 62305-4)
Zone dans laquelle les appareils ne sont pas soumis à des coups de foudre directs, mais dans laquelle le champ électromagnétique non atténué est généré. Les courants de foudre conduits non atténués et les surtensions de coupure sont générés.
- Zone de protection 1
Zone dans laquelle les appareils sont soumis à des coups de foudre directs partiels. Les courants de foudre conduits et/ou les surtensions de coupure sont réduits par rapport à ceux des zones O_A et O_B .
- Zone de protection 2
Les résidus des courants de choc de foudre et/ou des surtensions de coupure sont réduits par rapport à la zone 1.
- Zone de protection 3

Les surtensions générées par les effets des oscillations, par les couplages de champs magnétiques et par les surtensions de coupure internes sont réduites par rapport à la zone 2.

L'installation de parafoudres aux limites de la zone de protection permet de réduire les paramètres indésirables conduits. Il convient d'assurer la coordination entre ces parafoudres en procédant conformément à 6.2.6. Les paramètres de performance de ces parafoudres sont adaptés aux paramètres indésirables conduits, au niveau du lieu d'installation de ces dispositifs (voir 6.2.1 et 6.1.5).

NOTE Si l'utilisation de parafoudres essayés conformément aux essais de classe I de la CEI 62305-4 est recommandée, il convient d'installer ces parafoudres dans la zone de protection contre la foudre O_B se rapportant à la zone de protection 1.

Chaque fois qu'un parafoudre conforme à 6.1.4 est installé, une nouvelle zone de protection est créée.

K.2 Choix des parafoudres

K.2.1 Choix de U_c [6.2.1]

Pour la plupart des parafoudres, une surtension temporaire d'une durée supérieure à 5 s doit être considérée comme une contrainte permanente. De ce fait, la tension U_c doit être choisie en tenant compte des conditions normales et des conditions de défaut (surtensions temporaires) lorsque la durée est supérieure à 5 s.

a) Conditions normales

1) Entre phase et neutre

Il est souhaitable que la tension U_c du parafoudre entre phase et neutre soit supérieure à U_{cs} (à savoir, en général, 1,10 fois U_0 : 10 % pour la régulation de tension ou 1,15 si l'on considère 5 % pour la marge due à une possible dégradation du parafoudre et à toute autre condition anormale du système).

2) Entre phases

Il est souhaitable que la tension U_c du parafoudre entre phases soit supérieure à U_{cs} (à savoir, en général, 1,10 fois U_0 multiplié par $\sqrt{3}$).

NOTE 1 Dans certains cas, suivant les limites de régulation de la tension (exemple dans un bâtiment très vaste où la régulation de tension ne peut être mesurée qu'à l'aide d'un instrument), il est possible que U_{cs} dépasse les limites générales indiquées plus haut (respectivement 10 % et $10 \% \times \sqrt{3}$).

Dans certains cas, la régulation de tension est contenue dans des limites plus étroites (exemple 5 %). Dans ce cas, des valeurs moins élevées peuvent s'avérer suffisantes (par exemple, U_c peut seulement être supérieure à $1,05 \times U_0$ (respectivement à $1,05 \times \sqrt{3} \times U_0$)).

3) Entre phases et terre ou entre neutre et terre:

- Pour des schémas TT et TN, la tension U_c du parafoudre entre phase et terre ou entre neutre et terre doit être supérieure à U_{cs} (en général, $1,10 \times U_0$).
- Pour un schéma IT, se reporter aux conditions anormales ci-dessous.

NOTE 2 Si l'alimentation est fournie par un transformateur muni d'une prise centrale sur l'un des secondaires du transformateur, il y a deux valeurs de U_c . Une valeur de U_c est égale à $1,0 \times U_{cs}$ et l'autre valeur de U_c est égale à $(\sqrt{3})/2 \times U_{cs}$.

La présence d'harmoniques peut entraîner une augmentation de la valeur de crête de la tension de fonctionnement; par conséquent, il est possible que l'on soit amené à augmenter la valeur de U_c par rapport à la valeur à laquelle il convient que U_c soit égale sans ces harmoniques.

b) Conditions anormales (conditions de défaut):

Parfois, il est possible que l'on soit amené à tenir compte de conditions spécifiques de défaut, au moment du choix de U_c pour des parafoudres reliés entre phase et terre. Le but

est d'éviter la destruction d'un nombre trop important de parafoudres lorsqu'un défaut apparaît dans le système. Dans le cas d'un schéma IT, il est essentiel de tenir compte de telles conditions de défaut.

Dans des conditions de défaut à la terre dans des schémas TT et TN, il est possible que la tension entre phase et terre dépasse la valeur de U_{cs} . Cela est dû à des conditions de défaut sur le réseau haute tension ou sur le réseau basse tension et cela peut dépendre de la mise à la terre en ce qui concerne l'amplitude maximale de la tension. Pour de plus amples informations sur le sujet, se reporter à 4.1.3.2. Le choix de U_c dépend donc de la valeur réelle de la tension donnée par de telles conditions de défaut. Il n'est pas possible d'utiliser une valeur de U_c dont la valeur est élevée à un tel point que la présence d'un défaut dans le réseau ne cause aucun problème au niveau des parafoudres car, par la suite, le niveau de protection sera déficient. En général, une solution appropriée et indépendante de la topologie du réseau, consiste à avoir une valeur de U_c supérieure à $1,5 \times U_0$.

Dans des conditions de défaut à la terre pour des schémas IT, la tension entre phase et terre a généralement une amplitude de $\sqrt{3} \times U_0$. De tels défauts sur le réseau basse tension, dont la durée peut être suffisamment longue, peuvent être considérés comme une condition permanente.

Dans ce cas, il est vivement recommandé d'avoir une tension U_c supérieure à la tension entre phases.

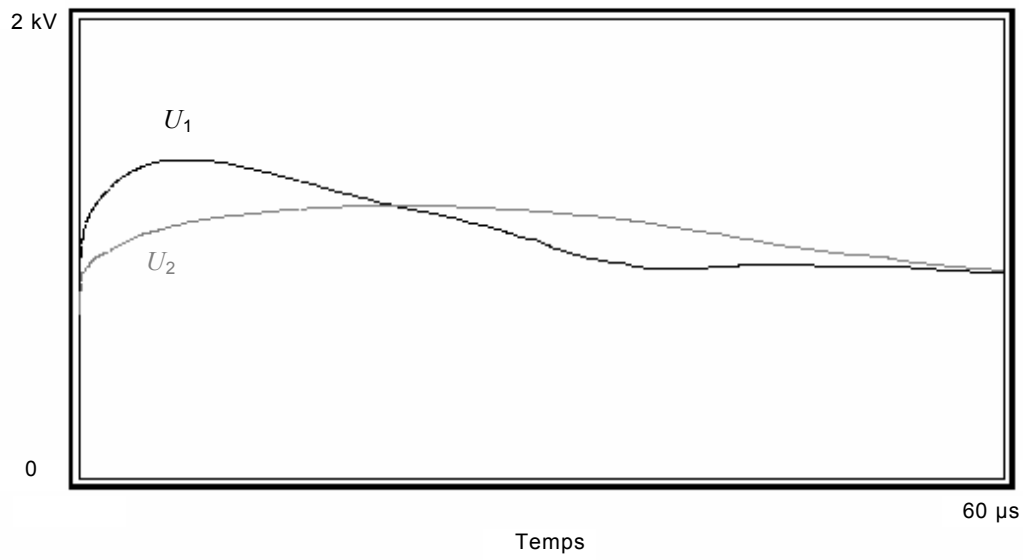
Des exemples illustrant la relation entre la tension U_c du parafoudre et la tension nominale du réseau d'alimentation sont donnés en Annexe B.

K.2.2 Problèmes de coordination [6.2.6.2]

Afin de mieux expliquer le problème, la Figure K.12 illustre un exemple représentatif de la coordination de deux varistances ZnO séparées par une inductance. Le parafoudre 2 se caractérise par des valeurs plus faibles de U_p et de I_n . En raison de l'effet de l'inductance sur le front de l'impulsion de choc, la majeure partie du courant s'écoule dans le parafoudre 1 et le courant dans le parafoudre 2 augmentera progressivement avec une constante de temps donnée par l'inductance et par la caractéristique du parafoudre 2. De cette manière, une partie de plus en plus importante du courant total s'écoulera dans le parafoudre 2.

La Figure K.12 montre le courant total, les courants s'écoulant dans les parafoudres 1 et 2 et les tensions traversant les parafoudres 1 et 2.

- Cette énergie maximale admissible (E_{max}) est définie, dans le présent guide d'application, comme l'énergie maximale que le parafoudre est en mesure de supporter sans dégradation. La valeur de cette énergie peut être déterminée à partir de résultats d'essais (énergie mesurée au cours de l'essai de fonctionnement à I_{imp} pour les essais de classe I ou à I_{max} pour les essais de classe II), ou calculée en tenant compte des renseignements fournis par le fabricant, tels que les valeurs de I_{max} (essais de classe II) ou $I_{crête}$ (essais de classe I), $U_{res}(I_{max})$ ou $U_{res}(I_{crête})$.



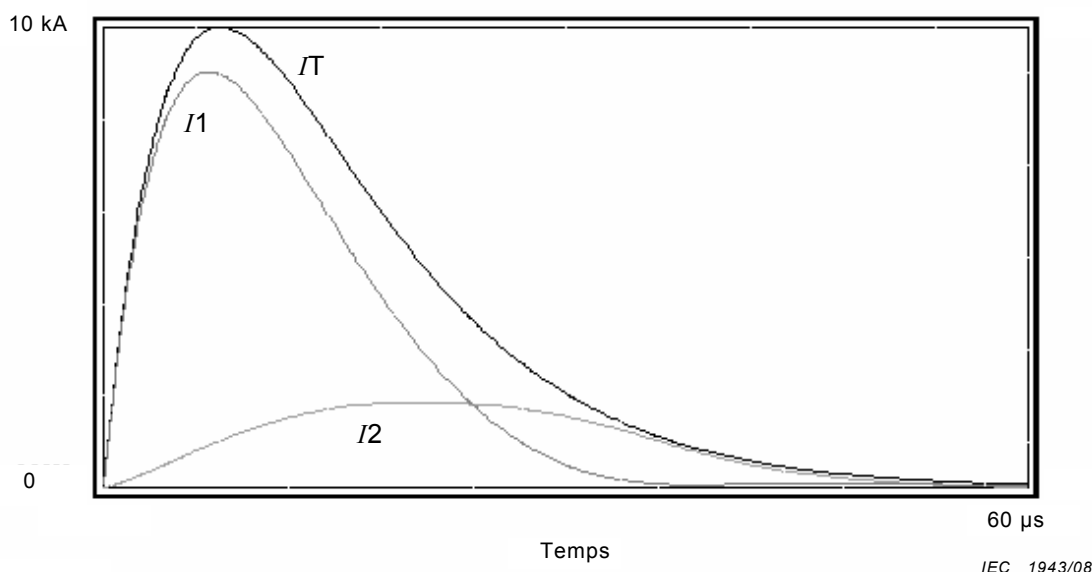
IEC 1942/08

Légende

- U_1 tension résiduelle aux bornes du premier parafoudre
- U_2 tension résiduelle aux bornes du second parafoudre

Figure K.12a – Tension résiduelle sur les varistances

<http://www.electrotech.com>



Légende

- I_T Courant total
- I_1 Courant dans le premier parafoudre
- I_2 Courant dans le second parafoudre

Figure K.12b – Répartition du courant entre deux varistances

Figure K.12 – Coordination de deux varistances ZnO

Le câblage avec la distance d , entre les deux parafoudres correspondant à une impédance Z , peut être utilisé comme un élément de découplage.

- Si les parafoudres d'entrée utilisés sont de type limitation de tension, cette impédance de découplage est, en général, seulement efficace pour des formes d'ondes courtes (par exemple 8/20). Avec des formes d'ondes longues (par exemple 10/350), cette impédance de découplage naturelle créée par le câblage est rarement suffisante. Des composants de découplage supplémentaires peuvent être nécessaires pour assurer une coordination adéquate.
- Si les parafoudres d'entrée utilisés sont de type coupure en tension, il faut tenir compte de deux autres caractéristiques:
 - Il est possible que l'on ait une zone aveugle, ce qui signifie que, pour un courant inférieur à I_{imp} , la tension aux bornes de l'éclateur peut être faible au point que l'éclateur ne puisse pas amorcer et qu'il ne puisse plus protéger le second parafoudre. Il est important que l'amorçage de l'éclateur se produise sur le front de l'onde de choc.
 - Pour des fronts d'ondes de longue durée, il est possible que l'élément de découplage soit moins efficace que pour des ondes 8/20 ou 10/350. De tels fronts d'ondes de longue durée font actuellement l'objet d'une étude par le CE 81.

En général, il est nécessaire de traiter la coordination pour deux types d'ondes de choc:

- coordination avec des ondes de choc ayant des formes d'ondes longues (telles que celles utilisées pour les essais de classe I)
- coordination avec des ondes de choc ayant des formes d'ondes courtes (telles que celles utilisées pour les essais de classe II)

NOTE Il convient d'insister sur le fait que l'énergie maximale admissible des deux parafoudres coordonnés est au moins égale à l'énergie admissible la plus faible des deux parafoudres. Lorsqu'un parafoudre (parafoudre 1) est utilisé seul et, qu'au bout d'un certain temps, un nouveau parafoudre (parafoudre 2) est installé, il est nécessaire de s'assurer qu'on a obtenu une bonne coordination.

K.2.3 Cas pratiques [6.2.6.3]

Dans une installation, l'étude de la coordination est toujours plus complexe à effectuer que dans le simple exemple indiqué plus haut. En effet,

- la présence de la longueur de câble conducteur ou de dispositifs supplémentaires tels que des déconnecteurs est susceptible d'ajouter une inductance dans le schéma. Il est également possible que le partage du courant entre plusieurs parafoudres nécessite une étude ==> la configuration réelle de l'installation est nécessaire;
- les tolérances sur les caractéristiques des composants utilisés dans les parafoudres peuvent engendrer des incertitudes, lorsqu'il s'agira de vérifier la valeur réelle de la tension résiduelle pour un courant donné. En outre, la valeur qui est habituellement fournie par le fabricant est le niveau de protection U_p , lequel tient compte d'une marge telle qu'il est possible que la tension réelle soit en réalité inférieure de 25 % à la valeur indiquée;
- il est possible que l'énergie maximale admissible E_{max} du parafoudre soit différente selon qu'il s'agit d'ondes longues ou courtes. En général, une telle valeur est seulement donnée pour une classe d'essais (classe I ---> ondes longues et classe II ---> ondes courtes). Parfois, cette énergie maximale admissible n'est pas donnée et, dans ce cas, il est nécessaire de la calculer.

Annexe L (informative)

Analyse des risques

Si le coût de la protection (déterminé à partir du groupe E ci-dessous) est inférieur à celui dû aux conséquences des chocs de foudre d'une installation non protégée (déterminé à partir des groupes A à D), il convient alors de prévoir des parafoudres.

L.1 Groupe A – Paramètres d'environnement

A1 Incidence et sévérité de la foudre N_g (densité annuelle des coups de foudre, qui est le nombre de coups/km²/an; voir 4.1.1 et I.1)

- Coup de foudre atteignant directement le système de protection contre la foudre (LPS) du bâtiment ou les lignes d'alimentation électrique et les lignes de communication
- Couplage résistif ou inductif

L'évaluation des risques nécessite la prise en compte de tous les types de modes directs et indirects d'énergie induite par la foudre, y compris l'entrée par l'intermédiaire du système de protection contre la foudre du bâtiment, les lignes de puissance entrantes, les lignes téléphoniques métalliques, les câbles de transmission de données, les câbles à haute fréquence, les guides d'ondes, et les conducteurs non électriques tels que les canalisations d'eau. Les câbles à fibres optiques sont généralement protégés, à condition qu'ils ne comportent pas de conducteur(s) métallique(s) entrant dans la zone protégée.

A2 Incidence et sévérité de la coupure de puissance

Des matériels électroniques voisins les uns des autres ou montés sur le même circuit en tant que matériels de coupure de puissance, tels que des régulateurs de moteurs, sont susceptibles d'être endommagés ou détériorés en raison des courants transitoires générés par les charges. En outre, il est possible que des transitoires soient générés par la coupure d'un réseau de distribution électrique, par la présence de défauts dans le système, ou par la présence de perturbations internes au niveau de la charge.

A3 Exposition et couplage avec les systèmes de protection contre la foudre des bâtiments périphériques

Des dommages peuvent être occasionnés par un couplage transitoire engendré par des courants de foudre s'écoulant dans les systèmes de protection contre la foudre de bâtiments ou installations situés à proximité, y compris une augmentation du potentiel de terre associée à la dissipation des courants. Une telle distribution d'énergie se produit habituellement à travers le câblage du réseau de distribution électrique et ne peut être sous le contrôle direct du consommateur. Il existe une relation entre l'énergie dissipée et la valeur des diverses résistances de terre présentes dans le réseau local.

A4 Emplacement de l'installation ou du bâtiment

- Topographie
- Protection par les structures et les arbres avoisinants

Des installations situées au sommet ou sur les versants de collines ou de montagnes élevées sont plus sujettes aux coups de foudre directs que des installations similaires situées dans des vallées et dans des zones naturellement moins exposées. De la même manière, les risques de subir des coups de foudre sont accrus pour des installations munies de tours de relais hertziens élevées. Les petites installations situées dans des endroits peu élevés peuvent être protégées des coups de foudre directs par des objets avoisinants plus élevés.

Cependant, une telle protection n'influence pas la pénétration d'énergie à travers les câbles entrant dans l'installation.

L.2 Groupe B – Matériels et installations

B1 Catégorie de tenue aux ondes de choc et niveau d'immunité des matériels

Les fabricants peuvent concevoir des matériels électriques et électroniques présentant différents niveaux de tenue aux tensions de choc. Plus le niveau est faible et plus le risque est grand. Sauf indication contraire de la part d'un fabricant, il est vivement recommandé de supposer qu'aucune immunité spécifique n'a été intégrée à leur matériel. Une protection correctement étudiée tente d'écouler le maximum d'énergie aux points d'entrée des câbles et réduit au minimum la transmission d'énergie aux matériels.

B2 Réseaux de mise à la terre

- Résistance et impédance de terre
- Configuration et proximité
- Liaisons avec d'autres réseaux de mise à la terre

Le plus important est d'obtenir une liaison de terre équipotentielle par liaison galvanique ou par raccordement de parafoudres.

Il est nécessaire de considérer la possibilité d'utiliser des réseaux de mise à la terre séparés.

B3 Configuration du système d'alimentation électrique

- Aérien
- Souterrain
- Les deux

Bien que l'utilisation de câbles d'alimentation BT enterrés présente moins de risques que les lignes de puissance aériennes, des coups de foudre directs se produisant au voisinage de câbles enterrés peuvent engendrer des surtensions considérables, surtout dans des sols hautement résistifs. Le concepteur a besoin de connaître la longueur de câble enterré, de savoir si ce câble est aérien sur une certaine distance du site et de savoir si le réseau d'alimentation MT est aérien ou non. Pour les lignes de puissance BT et MT, la longueur et la hauteur composites sont des paramètres importants. Des lignes plus longues et plus hautes présentent un risque plus important de recevoir des coups de foudre et de transmettre l'énergie de la foudre dans une installation ou dans un bâtiment.

L.3 Groupe C – Aspects économiques et interruption de service

C1 Dégradation du service ou perte de service

Les interruptions et les pannes de service engendrent des difficultés opérationnelles pour l'entreprise. La dégradation du service peut présenter un élément qualitatif qui vient s'ajouter aux pertes financières directes. Par exemple, si l'automatisation et l'informatisation sont généralisées dans une entreprise, il est possible que le retour vers une exploitation manuelle soit virtuellement impossible.

C2 Perte d'exploitation

Ceci couvre les frais en temps réel liés à l'indisponibilité des matériels, des ordinateurs, des systèmes de communication et d'information, ainsi que les pertes associées de recettes et/ou de productivité. Des systèmes critiques tels que des services d'urgence, certains systèmes

informatiques centraux peuvent occasionner des frais directs et indirects considérables associés à la perte d'exploitation.

Les entreprises commerciales perdent des recettes directes pendant tout le temps d'immobilisation. La durée prévue pour les réparations et la reprise d'exploitation dépendra de la disponibilité du personnel, des pièces de rechange, des procédures et des renseignements.

C3 Réparation ou remplacement des matériels ou des installations

Cela représente les frais liés aux dommages physiques, y compris le réapprovisionnement en matériels ainsi que les frais directs et indirects de réinstallation. On peut également assister à une dégradation progressive des composants dans les matériels, provoquée par la répétition d'ondes de choc de faible amplitude qui entraînent des défaillances en apparence aléatoires. Il est possible que de tels événements ne soient pas immédiatement ou directement associés à un orage ou à une interruption au moment où se produit la défaillance. Les frais déjà élevés liés à la maintenance périodique ou préventive peuvent augmenter à cause du cumul de ces effets.

C4 Services d'urgence

La détérioration des matériels et les lésions corporelles peuvent nécessiter l'intervention de services d'urgence tels que pompiers, ambulances, police, etc, susceptibles d'occasionner des frais pour une entreprise, une personne ou une communauté. Les pannes des systèmes d'alarme incendie et des moyens de télécommunications des services d'urgence réduisent l'efficacité de tels services. Les services d'urgence exigeront normalement un niveau de protection élevé.

L.4 Groupe D – Sécurité

S'il existe un risque de rupture diélectrique susceptible de mettre en péril la sécurité des personnes, il convient alors d'envisager l'utilisation de parafoudres.

La sécurité du personnel est un souci majeur qui doit être pris en compte par les concepteurs et les installateurs. Il est nécessaire de respecter la législation en matière de Médecine du Travail ainsi que les consignes de sécurité applicables à chaque pays.

L.5 Groupe E – Dépenses relatives à la protection

- Etude de l'installation
- Matériaux et dispositifs
- Installation des parafoudres

Les dépenses relatives à la protection comprennent les parafoudres, les études techniques et l'expertise, ainsi que l'installation électrique.

La CEI 62305-2 propose une méthode pour évaluer le risque lié à la foudre. Une méthode pour évaluer le risque lié aux chocs dus aux coupures est à l'étude.

Annexe M (informative)

Immunité par rapport à la tenue à l'isolement

La CEI 61000-4-5 décrit les essais afin de déterminer l'immunité aux ondes de choc de tension et de courant des équipements et systèmes électroniques. L'équipement ou le système à soumettre aux essais est considéré comme une boîte noire et les résultats des essais sont jugés selon les critères suivants:

- 1) Fonctionnement normal.
- 2) Perte temporaire de fonction ou dégradation temporaire du fonctionnement ne nécessitant pas l'intervention d'un opérateur.
- 3) Perte temporaire de fonction ou dégradation temporaire du fonctionnement nécessitant l'intervention d'un opérateur.
- 4) Perte de fonction avec dommage permanent de l'équipement (ce qui signifie l'échec de l'essai).

Alors que les essais de la CEI 61000-4-5 investiguent la gamme complète des effets possibles sur les équipements et systèmes électroniques dus aux ondes de choc de courants comparativement faibles, incluant leurs dommages permanents et leur destruction, il y a d'autres essais normalisés qui leur sont apparentés mais ne sont pas autant concernés par la perte temporaire de fonction, mais plus par le dommage réel ou la destruction des équipements. La CEI 60664-1 est concernée par la coordination de l'isolement des équipements à l'intérieur des réseaux à basse tension et la CEI 61643-1 est une norme d'essai des parafoudres connectés aux réseaux de distribution de l'alimentation basse tension. De plus, ces deux normes sont concernées par l'effet des surtensions temporaires sur les équipements. La CEI 61000-4-5 et les autres normes de la série CEI 61000 ne considèrent pas l'effet des surtensions temporaires sur les équipements ou systèmes.

Le dommage permanent est souvent durement acceptable, puisqu'il résulte en une durée d'immobilisation du système et en des dépenses de réparations ou de remplacements. Ce type de défaillance est généralement dû à une protection aux ondes de choc inadéquate ou manquante, ce qui permet aux hautes tensions et aux courants de choc excessifs de pénétrer dans les circuits des équipements, causant des dysfonctionnements, des défaillances de composants, des pertes d'isolement permanentes et des risques de feu, fumée ou de chocs électriques. Toutefois, il est également indésirable de vivre toute perte ou dégradation du fonctionnement de l'équipement ou du système, particulièrement s'il est critique et doit rester en fonction quand les ondes de choc surviennent.

Dans le cas des essais décrits dans la CEI 61000-4-5, l'amplitude du niveau de la tension d'essai appliquée (classe d'installation) et le courant de choc résultant auront un effet direct sur la réponse de l'équipement. Plus simplement dit, plus le niveau de la tension de l'onde de choc est élevé, plus la probabilité d'une perte ou de dégradation de fonctionnement est grande, à moins que l'équipement n'ait été conçu afin de fournir un niveau d'immunité aux ondes de choc approprié.

Pour soumettre aux essais les parafoudres utilisés dans les réseaux d'alimentation à basse tension, la CEI 61643-1, classe d'essais III, spécifie un générateur combiné ayant une impédance fictive de 2Ω , ce qui produit une forme d'onde de courant en court-circuit de type 8/20 et une forme d'onde de tension en circuit ouvert de type 1,2/50. La CEI 61000-4-5 utilise le même générateur combiné pour l'essai d'immunité à l'onde de choc des équipements et systèmes alimentés, mais avec différents éléments de couplage et aussi parfois une impédance en série additionnelle. La signification du niveau d'essai en tension (classe d'installation) de la présente norme et la tension crête en circuit ouvert U_{oc} de la CEI 61643-1 sont équivalentes. Cette tension détermine la valeur de crête du courant de court-circuit aux

bornes du générateur. Du fait des différences entre méthodes d'essai, les résultats d'essai peuvent ne pas être directement comparables.

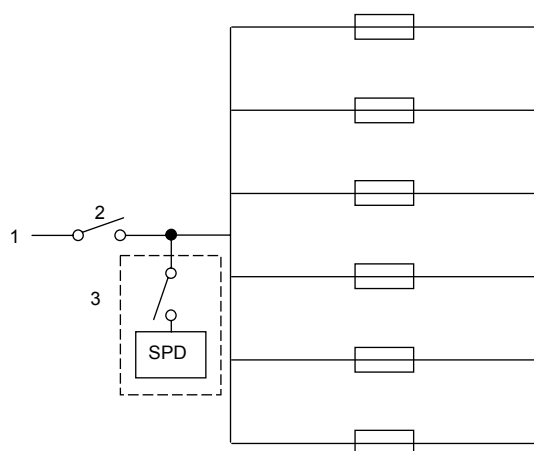
L'immunité aux ondes de choc des équipements ou des systèmes peut être obtenue grâce à des parafoudres intégrés ou des composants intégrés au parafoudre, ou des parafoudres externes. Un des critères de sélection les plus importants pour les parafoudres est le niveau de protection en tension, U_p , défini et décrit dans la CEI 61643-1. Il convient de coordonner ce paramètre avec la tension de tenue de l'équipement U_w , conformément à la CEI 60664-1, et ce paramètre représente la tension maximale à prévoir aux bornes du parafoudre au cours des essais réalisés dans des conditions spécifiques. U_p est seulement utilisé dans la CEI 61643-12 pour la coordination avec la tension de tenue de l'équipement U_w . Il est recommandé que la valeur du niveau de protection en tension à un niveau de contrainte comparable soit également en dessous du niveau d'immunité en tension à cette contrainte comparable de l'équipement soumis aux essais selon la CEI 61000-4-5, mais ceci n'est pas traité au moment présent, en particulier parce que les formes d'ondes ne sont pas toujours comparables entre les deux normes.

En général, les niveaux d'immunité aux ondes de choc des équipements selon la CEI 61000-4-5 sont inférieurs aux niveaux de tenue en isolement de la CEI 60664-1, cependant il convient de faire attention quant aux effets des surtensions temporaires selon la CEI 60364-4-44 sur un parafoudre (ou composant intégré au parafoudre) ayant un niveau de protection excessivement bas. Il est tout à fait possible de choisir un parafoudre qui protégera l'équipement d'une défaillance, restera opérationnel au cours de la survenance des ondes de choc et supportera la plupart des conditions de surtensions temporaires.

Annexe N (informative)

Exemples d'installation de parafoudres dans les tableaux de distribution de certains pays

Les figures suivantes décrivent l'installation type de parafoudres dans les tableaux de distribution de certains pays. Comme cela est traité dans la présente norme, il est important de s'assurer que les longueurs de câbles sont réduites et que les caractéristiques assignées de tenue aux courts-circuits du parafoudre sont coordonnées avec le courant de court-circuit présumé I_{sc} au niveau de l'emplacement du tableau de distribution.



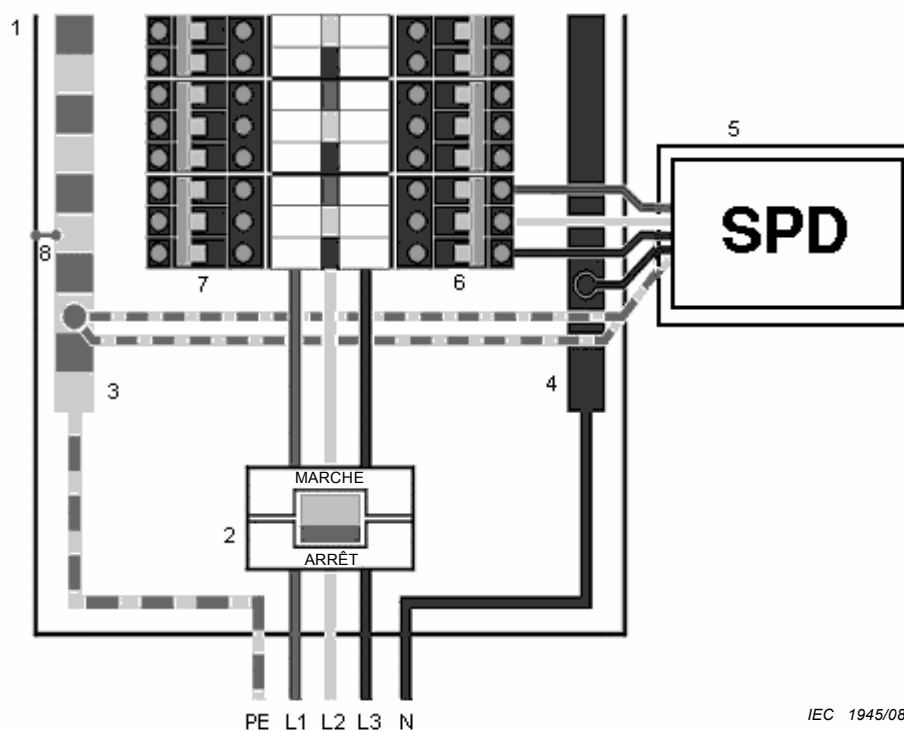
IEC 1944/08

Légende

- 1 Alimentation d'arrivée
- 2 Interrupteur principal (appelé isolateur dans certains pays)
- 3 Parafoudre et son déconnecteur (pourrait être installé à l'intérieur de l'enveloppe du parafoudre)

Figure N.1 – Schéma de câblage d'un parafoudre relié du côté charge de l'isolateur d'arrivée principal par l'intermédiaire d'un isolateur séparé (qui pourrait être inclus dans l'enveloppe du parafoudre)

L'utilisation d'un tel déconnecteur pour le parafoudre est une bonne pratique, dans la mesure où elle permet à l'élément d'être déconnecté sans déconnexion de l'isolateur principal, étant donné que le parafoudre peut devoir être déconnecté pour les essais de tenue diélectrique (appelés essais de claquage dans certains pays) de l'installation par exemple.

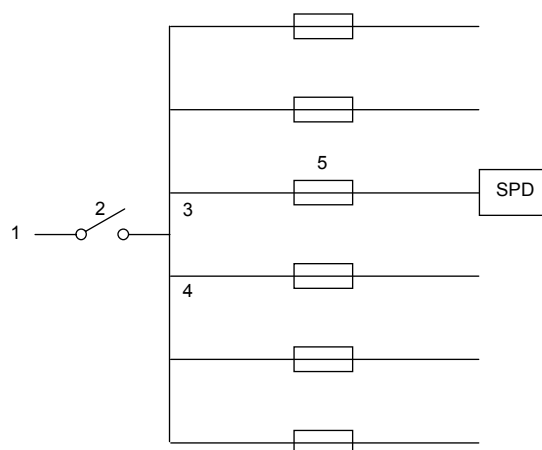


Légende

- 1 Tableau de distribution
- 2 Interrupteur principal (isolateur principal ou disjoncteur principal)
- 3 Borne principale de terre
- 4 Borne neutre
- 5 Enveloppe du parafoudre
- 6 Premier bloc fusible en aval
- 7 Premier bloc fusible alternatif en aval
- 8 Liaison transversale au châssis du tableau de distribution

Figure N.2 – Parafoudre relié au disjoncteur principal à l'arrivée disponible le plus proche de l'alimentation d'entrée (installation TNS généralement rencontrée au Royaume-Uni)

Le disjoncteur principal peut également fournir un moyen convenable de protection du parafoudre à l'aide d'un fusible et peut fournir un moyen d'isolation. Dans la mesure où l'espace dans le tableau de distribution est insuffisant, le parafoudre est monté dans une enveloppe séparée pour la sécurité électrique. Cette enveloppe est montée directement le long du tableau de distribution, afin d'assurer que les câbles de connexion soient de petite taille. Une liaison à la terre supplémentaire est réalisée afin de réduire davantage la chute de tension sur les câbles de connexion.



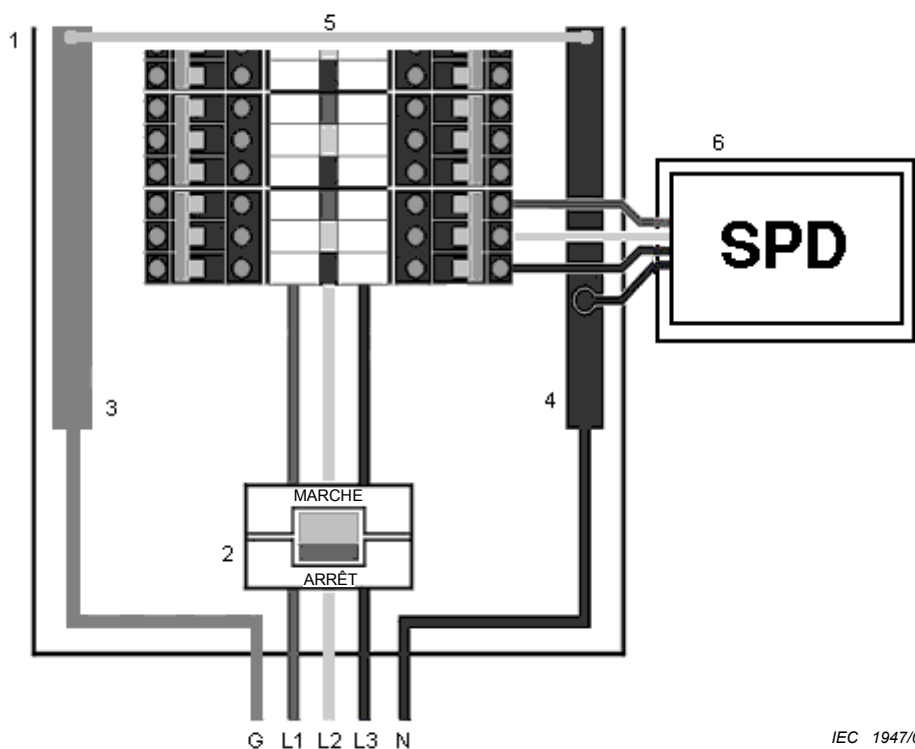
IEC 1946/08

Légende

- 1 Alimentation d'arrivée
- 2 Interrupteur principal (isolateur principal ou disjoncteur principal)
- 3 Premier bloc fusible en aval
- 4 Bloc fusible alternatif en aval
- 5 Fusible (ou disjoncteur principal)

Figure N.3 – Schéma de câblage monophasé d'un parafoudre relié en dérivation sur la première sortie du tableau de distribution par l'intermédiaire d'un fusible (ou disjoncteur principal)

L'utilisation d'un fusible (ou disjoncteur principal) approprié convient pour l'installation du parafoudre et constitue une bonne pratique, dans la mesure où ceci permet à l'élément d'être déconnecté sans déconnexion de l'isolateur principal, étant donné que le parafoudre peut devoir être déconnecté pour les essais de claquage de l'installation par exemple. La taille du fusible est choisie en conséquence, de sorte à ne pas réduire la valeur nominale de la capacité de tenue aux courants de choc et à permettre la coordination avec le fusible de l'alimentation d'arrivée.



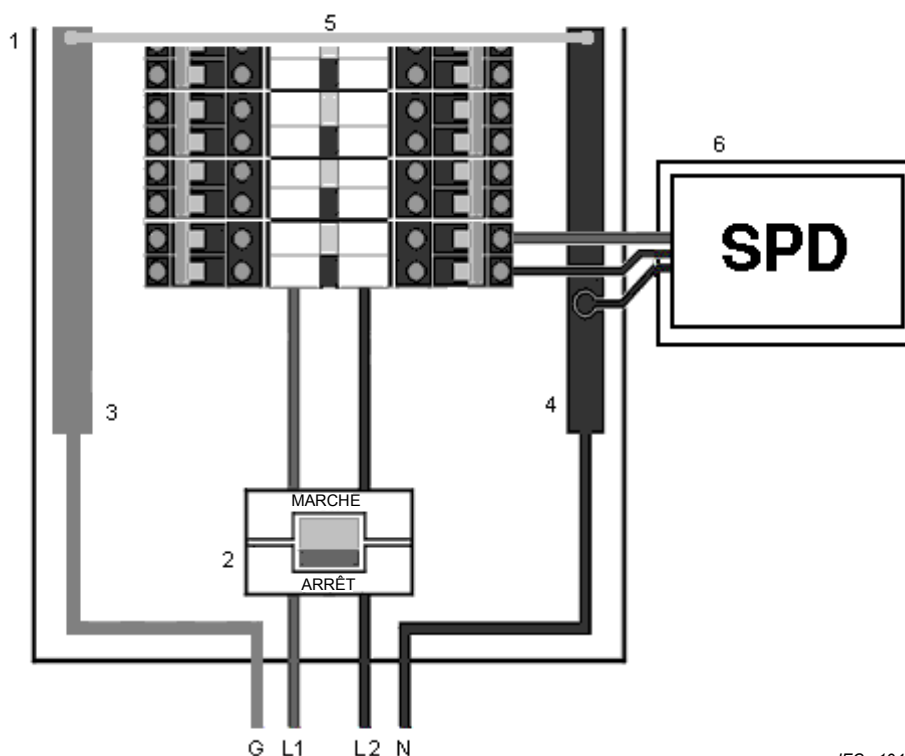
IEC 1947/08

Légende

- 1 Tableau de distribution principal
- 2 Disjoncteur principal
- 3 Barre de mise à la terre principale
- 4 Barre de neutre
- 5 Liaison entre la barre de mise à la terre et la barre de neutre
- 6 Enveloppe du parafoudre

Figure N.4 – Parafoudre relié au disjoncteur disponible le plus proche sur l'alimentation d'entrée (installation TN-C-S, 4W + G triphasée rencontrée aux Etats-Unis)

Le côté charge du disjoncteur principal fournit également un point convenable pour relier le parafoudre par l'intermédiaire de fusibles limiteurs de courant. Ce montage prévoit également un moyen d'isolation au cours de la maintenance. Dans la mesure où l'espace dans le tableau de distribution est insuffisant, le parafoudre est monté dans une enveloppe séparée pour la sécurité électrique. Cette enveloppe est montée directement le long du tableau de distribution, afin d'assurer que les câbles de connexion soient aussi courts que possible.



IEC 1948/08

Légende

- 1 Tableau de distribution principal
- 2 Disjoncteur principal
- 3 Barre de mise à la terre principale
- 4 Barre de neutre
- 5 Liaison entre la barre de mise à la terre et la barre de neutre
- 6 Enveloppe du parafoudre

Figure N.5 – Parafoudre relié au disjoncteur disponible le plus proche sur l'alimentation d'entrée (réseau 120/240V, 3W + G monophasé (phases séparées) rencontré aux Etats-Unis – typique pour les applications résidentielles et des petites entreprises)

Le côté charge du disjoncteur principal fournit également un point convenable pour relier le parafoudre par l'intermédiaire de fusibles limiteurs de courant. Ce montage prévoit également un moyen d'isolation au cours de la maintenance. Dans la mesure où l'espace dans le tableau de distribution est insuffisant, le parafoudre est monté dans une enveloppe séparée pour la sécurité électrique. Cette enveloppe est montée directement le long du tableau de distribution, afin d'assurer que les câbles de connexion soient aussi courts que possible.

NOTE Aux Etats-Unis, il est exigé par le Code électrique national (NEC, *National Electric Code*) que les caractéristiques assignées du courant de court-circuit du parafoudre définies par ce code soient coordonnées avec le courant de défaut présumé au point d'installation.

Annexe O (informative)

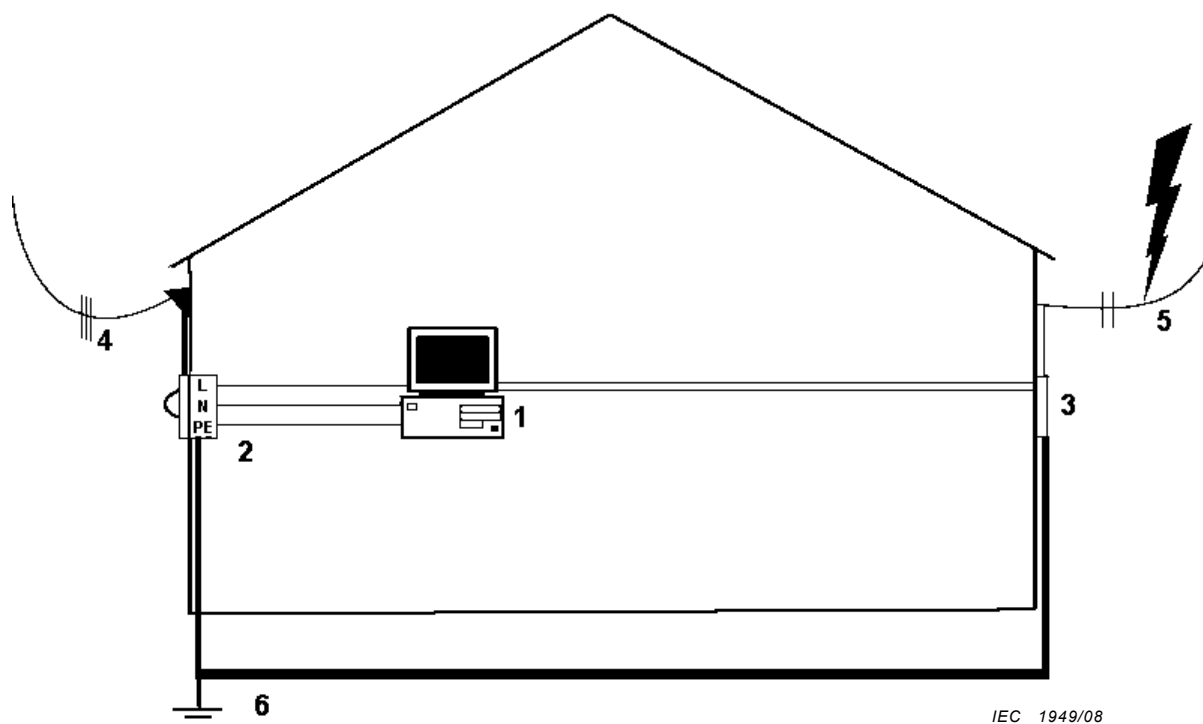
Coordination dans le cas d'un matériel présentant à la fois des bornes de télécommunication et de puissance

Pour décrire le problème pouvant se produire lorsque deux accès d'un matériel sont protégés par des parafoudres qui ne sont pas coordonnés, prenons l'exemple d'un ordinateur équipé d'un modem.

Un système type peut être assemblé à partir de sous-systèmes non coordonnés et ces derniers pourraient être vulnérables en raison d'une protection contre les chocs de foudre non coordonnée. Bien que chacun des systèmes de puissance et de communication puisse inclure une protection contre les chocs de foudre, le courant de choc circulant entre les systèmes de protection contre la foudre peut provoquer une différence de potentiel à travers les accès de puissance et de communication de l'ordinateur. Selon la nature de l'ordinateur/du modem et leurs niveaux d'immunité, cette différence de potentiel peut entraîner des dommages sur l'ordinateur/le modem, ou provoquer une perturbation dans le fonctionnement de ce matériel.

Le premier exemple montre comment ce problème peut survenir. L'exemple est fondé sur un système de puissance et de télécommunication.

Sur la Figure O.1, un ordinateur est équipé d'un modem qui est alimenté à partir d'un circuit terminal par un cordon à trois fils comportant un conducteur de mise à la terre. Le conducteur de mise à la terre établit la référence du potentiel de régime permanent du châssis au niveau du tableau de distribution de puissance. L'accès de télécommunication du modem est relié à une prise téléphonique métallique à son emplacement. Cette prise est câblée à une extrémité de l'interface de télécommunication. Ce tableau de distribution est généralement situé à l'entrée du bâtiment et comporte des parafoudres de télécommunication.

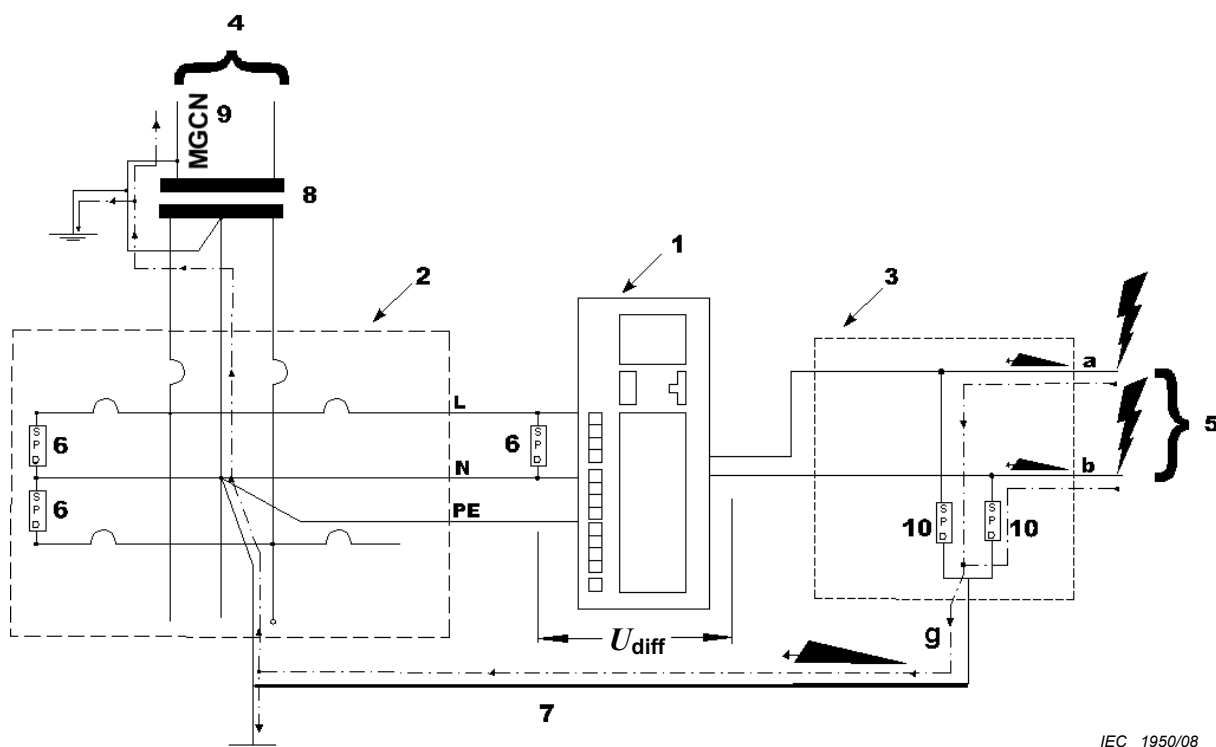


Légende

- 1 Ordinateur avec modem ou dispositif électronique similaire ayant des accès séparés pour la puissance et les télécommunications
- 2 Tableau de distribution principal, y compris disjoncteurs et parafoudre de puissance
- 3 Extrémité de l'interface de télécommunication, y compris parafoudre de télécommunication
- 4 Réseau d'alimentation monophasé à 3 fils
- 5 Ligne de télécommunication aérienne
- 6 Réseau équipotentiel

Figure O.1 – Exemple d'ordinateur avec modem dans un réseau de puissance et de communication rencontré aux Etats-Unis

Pour démontrer l'effet de la protection contre les chocs de foudre non coordonnée et l'avantage d'une solution proposée, des mesures ont été effectuées dans une réplique en grandeur réelle d'un réseau de câblage d'une maison, y compris un réseau d'alimentation, téléphonique et équipotentiel, tel qu'indiqué à la Figure O.2. Les fils téléphoniques ont été acheminés d'une manière typique, à une certaine distance du réseau équipotentiel.



IEC 1950/08

Légende

- 1 Ordinateur avec modem ou dispositif électronique similaire ayant des accès séparés pour la puissance et les télécommunications
- 2 Tableau de distribution principal, y compris disjoncteurs et parafoudre de puissance
- 3 Parafoudre de télécommunication
- 4 Réseau d'alimentation monophasé à 3 fils
- 5 Ligne de télécommunication aérienne
- 6 Composant du parafoudre de puissance: varistance
- 7 Réseau équipotentiel
- 8 Transformateur de distribution
- 9 MGCN: neutre commun avec mises à la terre multiples (*multi-grounded common neutral*)
- 10 Composant du parafoudre de télécommunication: tube à décharge

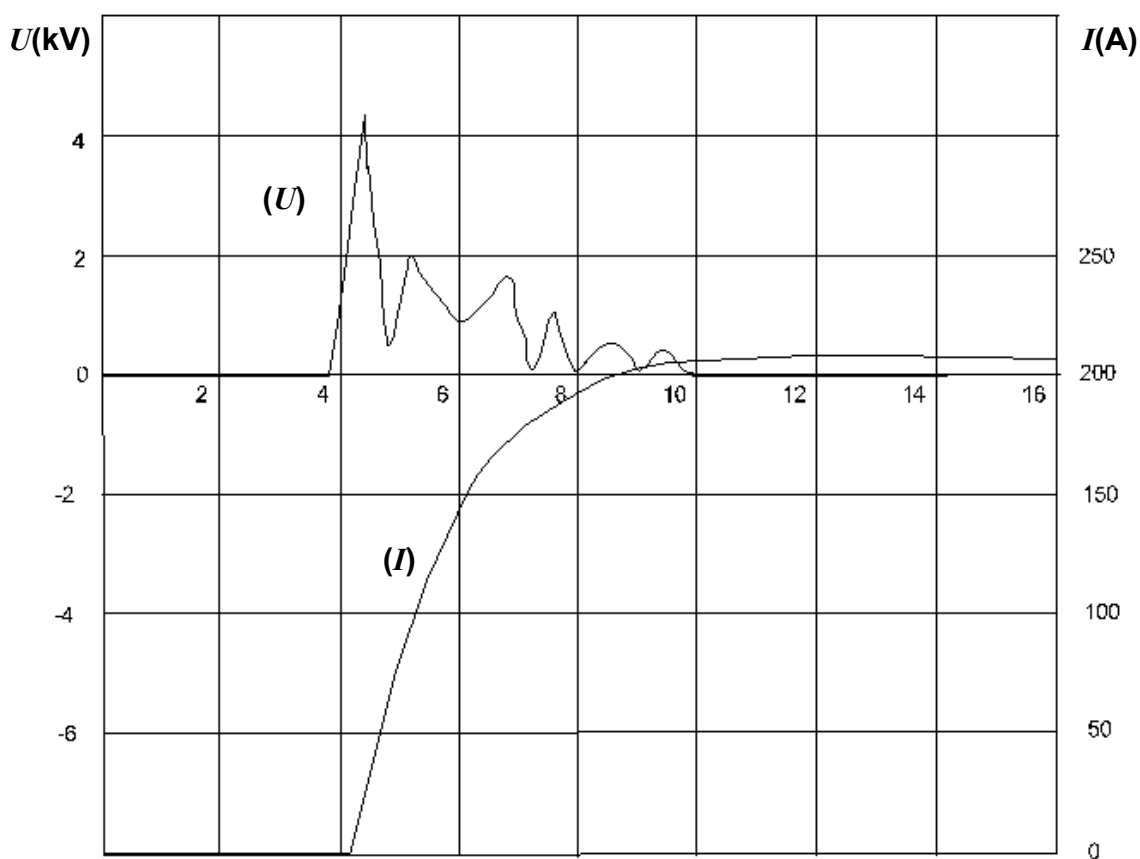
Figure O.2 – Schéma du circuit de la Figure O.1 utilisé pour les essais expérimentaux

La Figure O.2 présente la façon dont une onde de choc survenant sur le circuit de télécommunication peut entraîner une tension (différence de potentiel) U_{diff} dans l'ordinateur en raison du fonctionnement des tubes à décharge dans le tableau de distribution de l'interface de télécommunication. Comme on peut le constater lorsque les tubes à décharge du tableau de distribution de l'interface de télécommunication fonctionnent, un courant de choc circule dans le réseau équipotentiel, entraînant une différence de potentiel entre l'accès de télécommunication et l'accès de puissance de l'ordinateur. Ceci est dû au courant de choc " I_{choc} " circulant dans la canalisation d'eau à travers son inductance ' L '. La chute de tension à travers la canalisation est exprimée par l'équation $U=R \cdot I_{choc} + L \cdot dI_{choc}/dt$, où dI_{choc}/dt est la vitesse de variation dans le temps du courant circulant dans la canalisation

d'eau. Le facteur L est l'inductance de la canalisation d'eau et du câble de terre entre le tableau de distribution de l'interface de télécommunication et le réseau équipotentiel.

La Figure O.3 illustre l'enregistrement obtenu en injectant en amont à partir du tableau de distribution de l'interface de télécommunication une onde de choc telle que spécifiée par les normes de l'industrie téléphonique. Pour une vitesse de variation du courant de choc de $75 \text{ A}/\mu\text{s}$, on a constaté qu'une crête de $4,3 \text{ kV}$ a été induite dans la boucle. Cette tension apparaîtrait entre les deux accès d'un ordinateur (mais, bien entendu, aucun des deux accès n'était prévu pour l'expérience. La boucle est restée ouverte, afin de permettre la mesure et n'a pas mis un ordinateur inutilement en danger au cours de l'expérience.)

NOTE 8/20 n'est pas la seule impulsion normalisée utilisée dans l'industrie des télécommunications. L'UIT utilise une tension de choc de $10/700$ avec un courant de choc de $5/300$ (100 A), ce qui donne environ $10 \text{ A}/\mu\text{s}$. La CEI 61643-21 utilise aussi de nombreuses formes d'ondes différentes.



IEC 1951/08

Légende

I Courant incident sur le parafoudre de télécommunication: $50 \text{ A}/\text{division} - di/dt = 75 \text{ A}/\mu\text{s}$

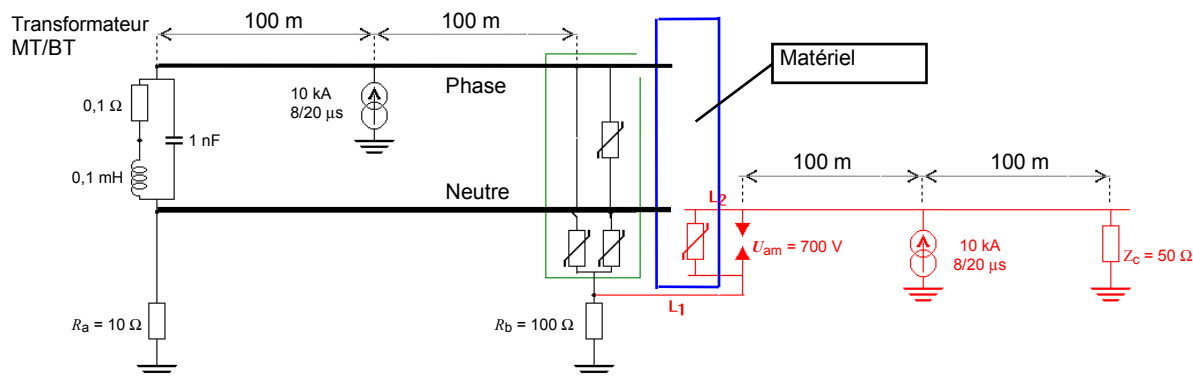
U Tension entre l'accès téléphonique et le conducteur de protection (PE): $2 \text{ kV}/\text{division} - 4,3 \text{ kV max}$

Balayage horizontal: $2 \mu\text{s}/\text{division}$

Figure O.3 – Tension enregistrée aux points de référence pour l'ordinateur/ le modem au cours d'une onde de choc dans l'exemple

Le deuxième ensemble d'exemples utilisés pour illustrer ce problème est décrit à la Figure O.4. Ceci représente une alimentation (TT, phase et neutre) alimentant une installation dans laquelle une ligne téléphonique est également reliée. Pour la liaison équipotentielle des deux réseaux à la terre locale, les parafoudres sont installés au niveau du point d'entrée de

ces lignes. Pour étudier ce cas, nous avons simulé un cas pratique, où les deux points de liaison sont différents puis séparés par une inductance (équivalente à la distance entre ces deux points). Nous ajoutons également un autre parafoudre (diode) sur la ligne de télécommunication directement en face de l'appareil. La distance L_2 est la distance entre le tube à décharge et la diode, et la distance L_1 est la distance entre le point de liaison de la ligne de télécommunication et le point de liaison de la ligne de puissance.



IEC 1952/08

Figure O.4 – Schéma TT typique utilisé pour les simulations

Les effets d'un courant de choc appliqué sur le circuit de télécommunication de la Figure O.2 ont également été analysés à l'aide d'une simulation sur ordinateur et ont donné les mêmes résultats que l'essai réel. Le modèle à haute fréquence du transformateur et un effet de propagation sur les lignes (200 m pour les deux lignes) ont été utilisés. Le parafoudre pour l'alimentation est du type à varistance (composant de limitation) et le parafoudre pour la ligne de télécommunication est un tube à décharge (composant de coupure).

La résistance de la mise à la terre R_b était un paramètre dans cette étude, ainsi que la tension d'amorçage du tube à décharge (U_{am}). Le parafoudre de l'alimentation (3 modes de protection) a un courant de décharge nominal de 10 kA et un niveau de protection en tension de 1,5 kV.

Les résultats suivants ont été obtenus: pour $L_1 = L_2 = 10$ m, la longueur du câble L_1 subit une chute de tension de 12,5 kV lorsque la foudre frappe les réseaux de puissance et de 35 kV lorsque la foudre frappe le réseau de télécommunication. Ce niveau est suffisant pour créer un amorçage à l'intérieur du matériel.

Ainsi, même si les deux réseaux sont protégés par des parafoudres et s'ils sont reliés à la même installation de mise à la terre, un amorçage interne peut toujours se produire!

Pour pouvoir généraliser ces résultats, des simulations ont également été effectuées avec certaines charges sur les deux réseaux, et les résultats étaient les mêmes. De plus, des simulations avec d'autres types de réseaux (TN et IT) et avec diverses formes d'ondes de surtensions ont aussi été réalisées.

Les résultats sont résumés au Tableau O.1:

Tableau O.1 – Résultats de simulation

Schéma TN	Dans le cas d'une onde de choc 8/20 de 10 kA provenant de l'alimentation	Dans le cas d'une onde de choc 8/20 de 10 kA provenant de la ligne de télécommunication
Chute de tension de L1	12 kV	35 kV
Schéma IT, impédance du neutre = 1000 Ω	Dans le cas d'une onde de choc 8/20 de 10 kA provenant de l'alimentation	Dans le cas d'une onde de choc 8/20 de 10 kA provenant de la ligne de télécommunication
Chute de tension de L1	8 kV	35 kV
Schéma TT	Dans le cas d'une onde de choc 10/350 de 10 kA provenant de l'alimentation	Dans le cas d'une onde de choc 10/350 de 10 kA provenant de la ligne de télécommunication
Chute de tension de L1	8 kV	23 kV

On peut se rendre compte que les résultats concernant le risque d'amorçage du matériel sont les mêmes avec tous les types de réseaux d'alimentation. La tenue du matériel est généralement de l'ordre de 2,5 kV au maximum, et ainsi la tension produite par une onde de choc légère (10 kA seulement) est bien supérieure à cette tenue aux chocs (de 8 kV à 35 kV).

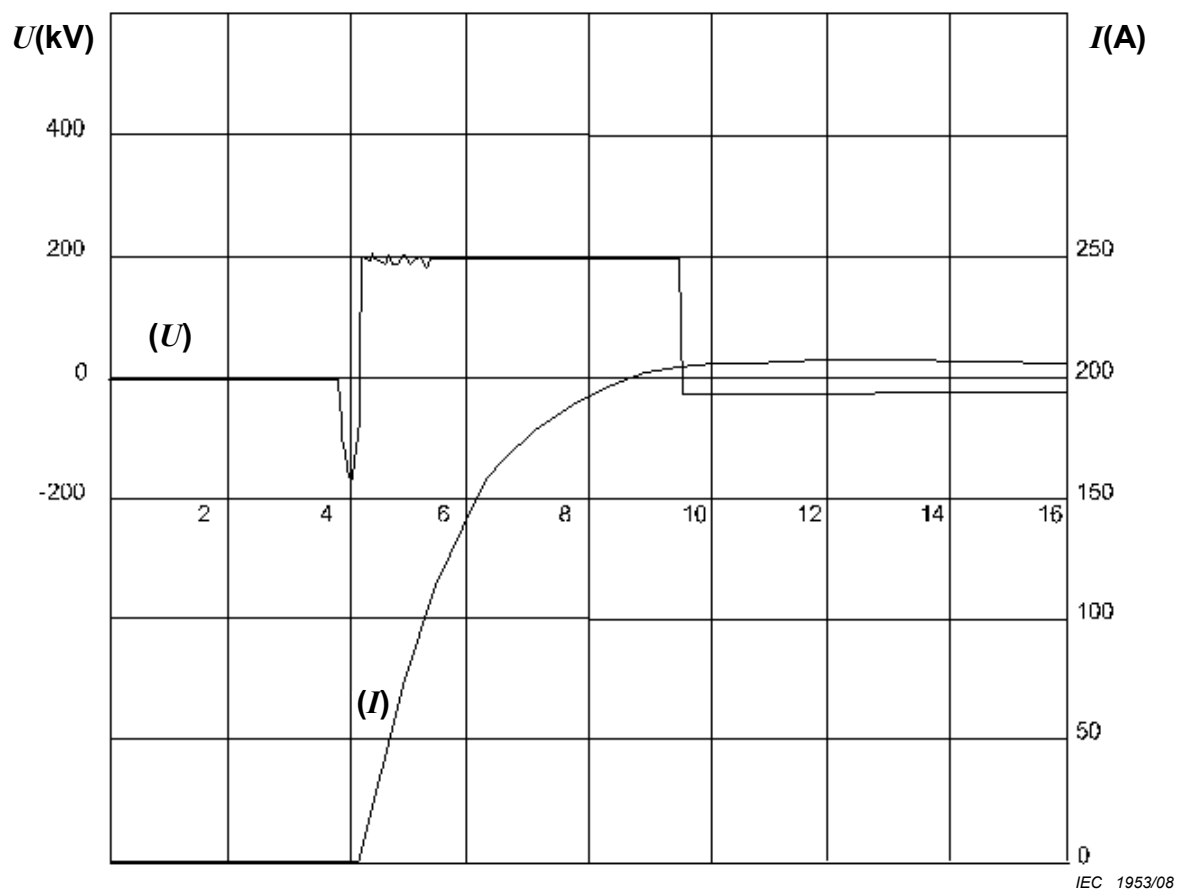
NOTE Une valeur de 10 kA 10/350 n'est pas réaliste pour un fil téléphonique. Il fondra à environ 2 kA et la mesure dans le réseau de télécommunication présente des valeurs davantage égales à 100 A. Nous avons néanmoins utilisé une telle valeur pour la comparaison entre le côté puissance et le côté télécommunication.

SOLUTIONS POSSIBLES

Afin d'éviter les problèmes exposés ci-dessus, il y a deux possibilités:

- trouver un autre cheminement pour les câbles, afin de diminuer la taille de la boucle entre les diverses lignes (lignes de télécommunication et lignes de puissance dans le cas de l'exemple décrit ci-dessus) et diminuer ainsi l'inductance L . Ceci n'est cependant pas simple pour les bâtiments existants. Pour les nouveaux bâtiments, un seul point de liaison d'entrée est bien entendu la meilleure solution.
- installer près du matériel un parafoudre entre la borne du réseau d'alimentation et un point commun de liaison équipotentielle, et procéder de la même façon entre les bornes des autres réseaux (réseau de télécommunication dans l'exemple) et ce point commun de liaison équipotentielle. En général, ces dispositifs contiennent des parafoudres de puissance et des parafoudres de télécommunication dans un seul ensemble, et sont parfois appelés « parafoudres multifonction ». Un parafoudre ainsi combiné peut contenir une protection contre les chocs de foudre pour toutes les connexions au matériel qui seraient référencées par des câbles très courts reliés au point commun de liaison équipotentielle. Il est nécessaire que ce point commun de liaison équipotentielle soit relié à la terre de protection. Ce point commun de liaison équipotentielle peut être le boîtier du matériel à protéger, s'il est relié à la terre de protection.

La Figure O.5 montre l'effet d'un parafoudre de ce type dans l'expérience décrite à la Figure O.1. Il convient de comparer la Figure O.5 et la Figure O.3.



Légende

I Courant incident sur le parafoudre de télécommunication – $di/dt = 75 \text{ A}/\mu\text{s}$

U Tension entre l'accès téléphonique et le conducteur de protection (PE): 200 V/division – 200 Vmax

Balayage horizontal: 2 μs /division

Figure O.5 – Formes d'ondes de tension et de courant lorsqu'un parafoudre multifonction est appliqué au circuit de la Figure O.1

Annexe P (informative)

Protection de secours contre les courts-circuits et tenue aux chocs

P.1 Introduction

Le courant de choc ne s'écoule pas seulement dans les parafoudres, mais aussi dans d'autres dispositifs du circuit. Ces autres dispositifs comprennent une protection de secours et un autre type de protection contre les courants de défaut, et un déclenchement ou une fusion indésirable peut se produire. Il est utile de connaître la capacité de tenue de ces dispositifs afin d'empêcher que ces composants ne limitent la capacité de tenue aux chocs de l'installation. Dans la présente annexe, seules des informations concernant les fusibles sont données; pour les autres technologies, les résultats réels de la tenue aux chocs dépendent trop du type de dispositif. Ceci explique pourquoi les disjoncteurs mécaniques ne sont pas à l'étude dans la présente annexe, mais les fabricants de parafoudres ou de disjoncteurs principaux peuvent donner des informations pour l'association des parafoudres avec d'autres dispositifs tels que des disjoncteurs (disjoncteur principal, disjoncteur moulé, DDR, etc.).

P.2 Informations relatives à la tenue des fusibles aux ondes de choc 8/20 et 10/350

Le fait d'utiliser le calcul I^2t de la forme d'onde par rapport au fusible I^2t (1 ms) du fabricant de fusibles est une manière possible de deviner sa tenue aux chocs pour un choc.

La valeur I^2t du choc peut être estimée en connaissant la valeur de crête du choc et sa forme d'onde avec ces formules.

- Pour la forme d'onde 10/350:

$$I^2t = 256,3 \times I_{\text{crête}}^2$$

- Pour la forme d'onde 8/20:

$$I^2t = 14,01 \times I_{\text{crête}}^2$$

Avec $I_{\text{crête}}$ en kA, I^2t en A²s

Exemples:

- Pour résister à une onde de choc de courant de choc de 9 kA 8/20, le fusible de secours doit avoir une valeur de pré-arc minimale supérieure à:

$$I^2t = 14,01 \times 9^2 = 1134,8 \text{ A}^2\text{s}$$

NOTE La valeur de pré-arc type pour un fusible cylindrique de 32 A de type gG est la suivante: 1300A²s.

- Pour résister à une onde de choc de courant de choc de 5 kA 10/350, le fusible de secours doit avoir une valeur de pré-arc minimale supérieure à:

$$I^2t = 256,3 \times 5^2 = 6407,5 \text{ A}^2\text{s}$$

NOTE La valeur de pré-arc type pour un fusible NH de 63 A de type gG est la suivante: 6500 A²s.

- Un nouveau fusible avec une valeur de pré-arc de 24 000 A²t (fusible cylindrique de 100 A de type gG) peut résister à une onde de choc 8/20 de:

$$I_{\text{crête}} = \sqrt{\frac{24000}{14,01}} = 41,4 \text{ kA}$$

P.3 Facteurs influençant les fusibles (réduction) pour l'essai de préconditionnement et l'essai de fonctionnement

Au cours de la procédure d'essais décrite dans la CEI 61643-1, le fusible doit résister non seulement à une onde de choc mais aussi à une séquence complète (essai de préconditionnement et essai de fonctionnement). Ces chocs peuvent dégrader le fusible et par conséquent diminuer sa capacité de tenue par rapport à la tenue à une onde de choc (voir P.2);

Afin de satisfaire à l'ensemble de l'essai de préconditionnement et de l'essai de fonctionnement, les expérimentations montrent qu'un facteur de réduction de 0,5 à 0,9 doit être appliqué à la valeur de tenue à une onde de choc.

Trois facteurs principaux peuvent être pris en considération.

- Rapport entre I_n et I_{max} ou I_{imp} .

L'essai de préconditionnement est effectué sous I_n (15 chocs), tandis que l'essai de fonctionnement est réalisé sous I_{max} ou I_{imp} (0,1; 0,25; 0,5; 0,75 et 1 fois I_{max} ou I_{imp}). Si la valeur de I_n est faible par rapport à la valeur de crête de I_{max} ou I_{imp} , le vieillissement provoqué par l'essai de préconditionnement sous I_n chocs peut être négligé par rapport à la contrainte de I_{max} ou I_{imp} . Au contraire, si la valeur de I_n est proche de la valeur de crête de I_{max} ou I_{imp} ou supérieure à cette valeur, la contrainte de l'essai de préconditionnement ne doit pas être négligée.

- Valeur absolue par rapport à la tenue des fusibles à une onde de choc.

Lorsque les valeurs de I_n , I_{max} ou I_{imp} sont proches de la valeur $I_{crête}$ maximale (voir Figure O.2), les fusibles se dégradent eux-mêmes à chaque onde de choc, tandis que si elles sont éloignées de la valeur $I_{crête}$ maximale, l'effet peut être négligé.

- Tolérance du fusible

Les fabricants de fusibles donnent généralement une tolérance pour leurs dispositifs, conformément à la norme sur les fusibles. Cette tolérance n'est pas liée à la capacité de tenue réelle aux chocs et ne peut pas être utilisée pour un tel calcul.

P.4 Exemples spécifiques avec plage estimée de facteurs pour la réduction de la tenue aux fusibles à une onde de choc

Un fusible gG cylindrique de 100 A est supposé résister pendant une onde de choc à un courant de choc de forme d'onde 8/20 de 41,4 kA.

Pour un essai de parafoudre de type 2 avec $I_{max}=40$ kA et $I_n=20$ kA, l'expérience montre que ce fusible n'est pas capable de satisfaire à l'ensemble de l'essai de préconditionnement et de l'essai de fonctionnement.

Un fusible de secours correct est un fusible de 125 A gG avec une valeur de pré-arc minimale de 40 000 A²s. D'après P.2, un fusible avec une valeur de pré-arc minimale de 40 000 A²s peut supporter une onde de choc de forme d'onde 8/20 de 53,4 kA.

Le rapport entre la valeur du courant de crête de l'onde de choc 8/20 de ce fusible et la capacité de tenue réelle pendant tout l'essai, est dans ce cas égal à 0,75.

Dans le Tableau P.1, certaines valeurs caractéristiques sont données d'après la même analyse, où I_{max} est égal au double de I_n pour le parafoudre de type 2 et où la valeur de I_n est équivalente à I_{imp} pour le parafoudre de type 1.

Tableau P.1 – Exemples de rapport entre la tenue à une onde de choc et l'ensemble de l'essai de préconditionnement/fonctionnement

Courant assigné type du fusible	Valeur de pré-arc type, courant de crête d'après la formule simplifiée de P.2 et essais réels							
	Cyl gG				NH gG			
	Pré-arc	Calculé e	Après l'essai	Rapport	Pré-arc	Calculée	Après l'essai	Rapport
	I_t	8/20	8/20		I_t	10/350	10/350	
25	800	7,6	5	0,66				
32	1 300	9,6	7	0,73				
40	2 500	13,4	10	0,75				
50	4 200	17,3	15	0,87				
63	7 500	23,1	17	0,73				
80	14 500	32,2	25	0,78				
100	24 000	41,4	30	0,72	20 000	8,8	5	0,57
125	40 000	53,4	40	0,75	33 000	11,3	7	0,62
160					60 000	15,3	10	0,65
200					100 000	19,75	15	0,76
250					200 000	27,93	20	0,72
315					300 000	34,21	25	0,73

Bibliographie

NOTE L'article auquel la référence fait appel est identifié ci-dessous par [xxx].

CEI 60038, *Tensions normales de la CEI*

CEI 60364-4-42, *Installations électriques des bâtiments – Partie 4-42: Protection pour assurer la sécurité – Protection contre les effets thermiques*

CEI 60364-4-43, *Installations électriques des bâtiments – Partie 4-43: Protection pour assurer la sécurité – Protection contre les surintensités*

CEI 60999-1, *Dispositifs de connexion – Conducteurs électriques en cuivre – Prescriptions de sécurité pour organes de serrage à vis et sans vis Partie 1: Prescriptions générales et particulières pour les organes de serrage pour les conducteurs de 0,2 mm² à 35 mm² (inclus)*

CEI/TR 61000-5-6:2002, *Compatibilité électromagnétique (CEM) – Partie 5-6: Guides d'installation et d'atténuation – Atténuation des influences électromagnétiques externes, à l'étude.*

CEI/TR 62066:2002, *Surtensions de choc et protection contre la foudre dans les réseaux en courant alternatif à basse tension – Informations générales fondamentales* (disponible en anglais seulement)

IEEE C62.41.1, *IEEE guide on the surge environment in low-voltage (1 000 V and less) AC power circuits*

IEEE C62.41.2, *IEEE recommended practice on characterization of surges in low-voltage (1000 V and less) AC power circuits*

CEI 61643-21, *Parafoudres basse tension – Partie 21: Parafoudres connectés aux réseaux de signaux et de télécommunications – Prescriptions de fonctionnement et méthodes d'essais*

CEI 61643-22, *Parafoudres basse tension – Partie 22: Parafoudres connectés aux réseaux de signaux et de télécommunications – Principes de choix et d'application*

Partage du courant en cas de coup de foudre direct sur la structure [Annexe I, I.1.2]

A. ROUSSEAU, P. AURIOL, A. RAKOTOMALALA, *Lightning distribution through earthing systems*, Hobart Lightning Protection Workshop, 1992.

H. ALTMAIER, D. PELZ, K. SCHEIBE, *Computer simulation of surge voltage protection in low voltage systems*, ICLP, 1992.

Surtensions temporaires [4.1.3]:

M. CLEMENT, J. MICHAUD, *Overvoltages on the low voltage distribution networks*, CIRED, 1993.

Coordination des chocs entre parafoudres et DDR ou dispositifs de protection contre les surintensités [6.2.4.3]:

J. SCHONAU, F. NOACK, R. BROCKE, *Coordination of fuses and overvoltages protection devices in low voltage mains*. Fifth International Conference on Electrical Fuses and their Applications, 1995.

Coordination des parafoudres [6.2.6]:

P. HASSE, P. ZAHLMANN, J. WIESINGER, W. ZISCHANK, *Principle for an advanced coordination of surge protective devices in low voltage systems*, ICLP 1994.

A. ROUSSEAU, T. PERCHE, *Coordination of surge arresters in the low voltage field*, INTELEC, 1995.

F. MARTZLOFF, J.S. LAI, *Coordinating cascaded surge protective devices: high-low versus low-high*, IEEE IAS, 1991.

J. HUSE et al., *Coordination of surge protective devices in power supply systems: need for a secondary protection*, ICLP, 1992.

Analyse des risques [Article 7]:

A. ROUSSEAU, Choice of low voltage surge arresters based on risk analysis, *Power Quality*, 1995.

General advice on protection of electronic equipment within or on structures against lightning, BS6651 Informative Appendix C, British Standards Institution, 1992.

Informations [Annexe A]:

CEI 60099-4, *Parafoudres – Partie 4: Parafoudres à oxyde métallique sans éclateurs pour réseaux à courant alternatif*, 1998.

Environnement [Annexe C]:

IEEE *Recommended practice on surge voltages in low-voltage a.c. power circuits* C 62-41, 1991.

Principes d'utilisation [Annexe G]:

CEI 60099-5, *Parafoudres – Partie 5: Recommandations pour le choix et l'utilisation*, 1995.

www.intel.com

INTERNATIONAL
ELECTROTECHNICAL
COMMISSION

3, rue de Varembé
PO Box 131
CH-1211 Geneva 20
Switzerland

Tel: + 41 22 919 02 11
Fax: + 41 22 919 03 00
info@iec.ch
www.iec.ch